



## PICCOLO PC D 65 G



Sample photo

**Order symbol:** PC D 65 G  
**Product nbr:** 8724307  
**Description:** Enclosure, PC  
**Remarks:** Grey cover

**EAN:** 6418074002112  
**EI. number:**  
 Finland: 3423409  
 Electric No. Denmark: 8212001556  
 Electric No. Italy: 7201030  
 Electric No. Sweden: 2536814

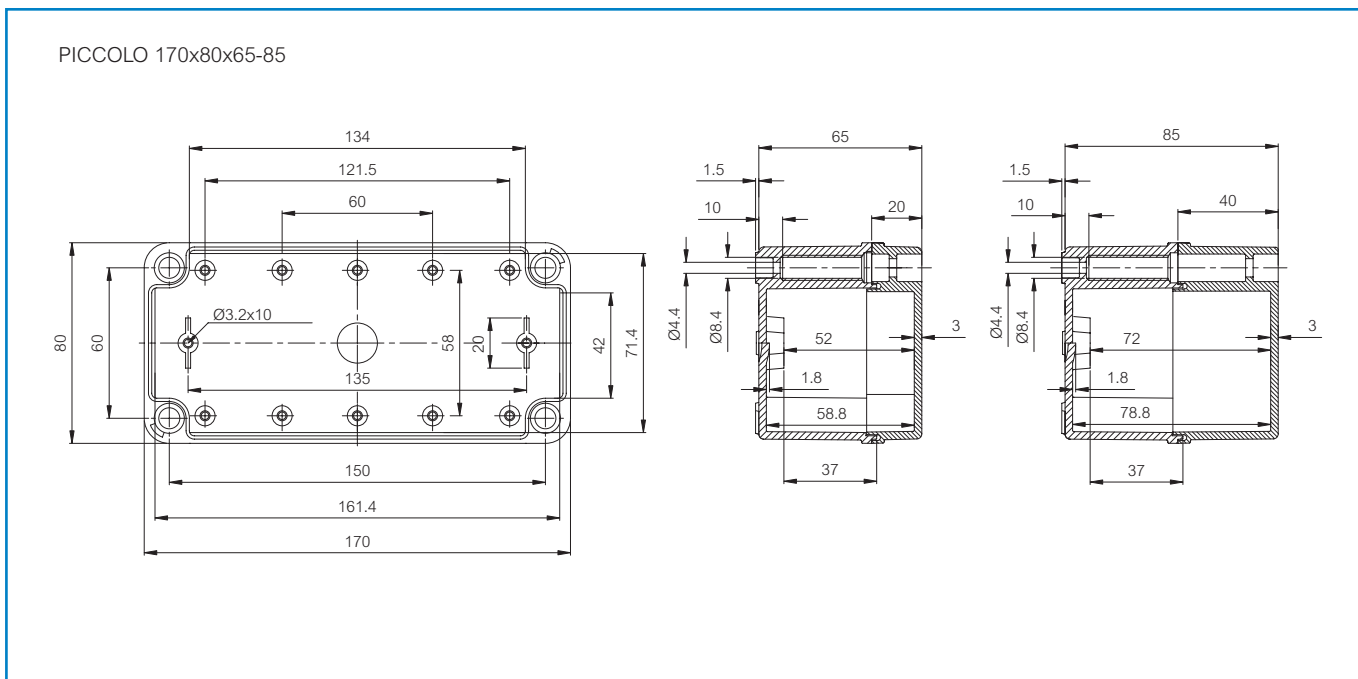
Including: Base with screws for mounting plate, cover with PUR gasket and polyamide cover screws.

| Dimensions: | Length | Width | Height | Accessories: |                            |
|-------------|--------|-------|--------|--------------|----------------------------|
| mm:         | 170    | 80    | 65     | DH-3         | DIN-35 Mounting rail       |
| inch:       | 6.7    | 3.1   | 2.6    | FP 22040     | Wall fastening lug (2 pcs) |

| Materials:                    |                      | Rating:                                  |  |
|-------------------------------|----------------------|--|--|
| <b>Material:</b>              | Polycarbonate        | Ingress Protection (EN 60529): IP66/IP67 |  |
| <b>Base colour:</b>           | RAL 7035 -light grey | Impact Resistance (EN 62262): IK08       |  |
| <b>Cover screws material:</b> | Polyamide            | Electrical insulation: Totally insulated |  |
| <b>Cover colour:</b>          | RAL 7035 -light grey | Halogen free (DIN/VDE 0472, Part 815): 1 |  |
| <b>Cover screws colour:</b>   | Grey                 | UV resistance: UL 508                    |  |
| <b>Gasket material:</b>       | Polyurethane         | Flammability Rating: UL 746C 5"          |  |
|                               |                      | Glow Wire Test (IEC 695-2-1) °C: 960     |  |
|                               |                      | NEMA Class: NEMA 1, 4X, 6, 12, 13        |  |

| Temperatures:                       |                | Certificates: |  |
|-------------------------------------|----------------|---------------|--|
| <b>Temperature °C (short term):</b> | -40 ... 120 °C | SGS Fimko     |  |
| <b>Temperature °C (continuous):</b> | -40 ... 80 °C  |               |  |
| <b>Temperature °F (short term):</b> | -40 ... 250 °F |               |  |
| <b>Temperature °F (continuous):</b> | -40 ... 175 °F |               |  |

| Accessories: |                |
|--------------|----------------|
| D-MP         | Mounting plate |





# SCATTERGOOD & JOHNSON LTD

ELECTRICAL ENGINEERING & FLUID CONTROL DISTRIBUTORS

Est.1899

At Scattergood & Johnson Ltd, we pride ourselves on being a technical distributor to specialist industries.

Working with a range of quality product suppliers across a number of specialist markets, we are not your average 'box shifter' - we are your technical and supply chain partner.

We fully support every product we sell - for free! Our internal team and external sales engineers can answer any product or application question, no matter the complexity.

Backing up this technical ability is a range of 50,000+ products available from stock for nationwide next day delivery (same day if required!), or you can collect what you need from any of our trade counters around the UK.

Select your specialist interest below to learn more about how we can help.



Online, In Branch and On the Road - Scattergood & Johnson Ltd, there when you need us.

# [www.scatts.co.uk](http://www.scatts.co.uk)