

**TEMPO TA 090706**



**Order symbol:** TA 090706  
**Product nbr:** 5814038  
**Description:** Enclosure, ABS  
**Remarks:** Grey cover

**EAN:** 6418074011466  
**EI. number:**  
 Finland: 3438267  
 Electric No. 8212045211  
 Denmark:  
 Electric No. Sweden: 5814038

Including: Base with PUR gasket, screws for mounting plate/DIN-rail and cover with polyamide cover screws.

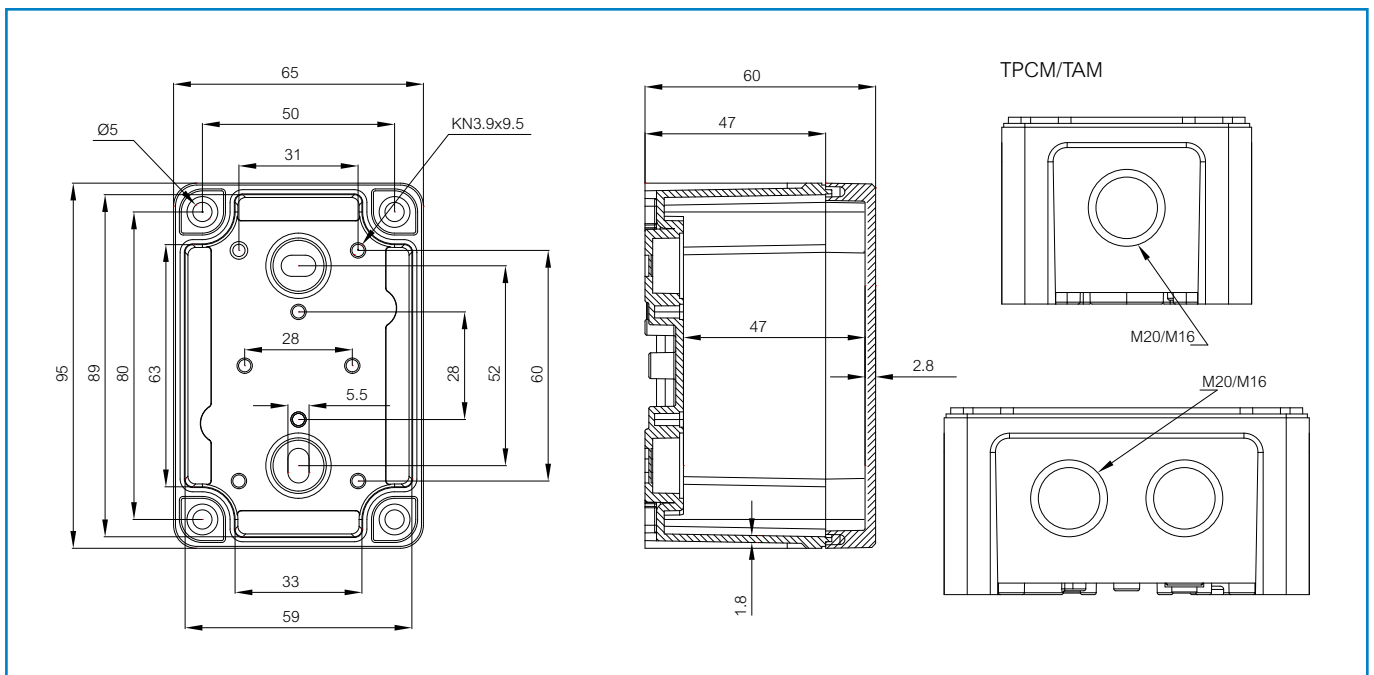
Sample photo

| Dimensions: | Length | Width | Height | Accessories: |                       |
|-------------|--------|-------|--------|--------------|-----------------------|
| mm:         | 95     | 65    | 60     | DRM 50       | DIN-15 Mounting rail  |
| inch:       | 3.7    | 2.6   | 2.4    | FP 10674     |                       |
|             |        |       |        | DPS 14553    | Grey sealing plug set |

| Materials:                    |                      | Rating:                                  |
|-------------------------------|----------------------|--|
| <b>Material:</b>              | ABS                  | Ingress Protection (EN 60529): IP65      |
| <b>Base colour:</b>           | RAL 7035 -light grey | Impact Resistance (EN 62262): IK07       |
| <b>Cover screws material:</b> | Polyamide            | Electrical insulation: Totally insulated |
| <b>Cover colour:</b>          | RAL 7035 -light grey | Halogen free (DIN/VDE 0472, Part 815): 1 |
| <b>Cover screws colour:</b>   | Grey                 | Flammability Rating: UL 94 HB            |
| <b>Gasket material:</b>       | Polyurethane         | Glow Wire Test (IEC 695-2-1) °C: 650     |

| Temperatures:                       |                | Certificates: |
|-------------------------------------|----------------|---------------|
| <b>Temperature °C (short term):</b> | -40 ... 80 °C  | SGS Fimko     |
| <b>Temperature °C (continuous):</b> | -40 ... 60 °C  |               |
| <b>Temperature °F (short term):</b> | -40 ... 175 °F |               |
| <b>Temperature °F (continuous):</b> | -40 ... 140 °F |               |

| Accessories: |                |
|--------------|----------------|
| MP 0907      | Mounting plate |





# SCATTERGOOD & JOHNSON LTD

ELECTRICAL ENGINEERING & FLUID CONTROL DISTRIBUTORS

Est.1899

At Scattergood & Johnson Ltd, we pride ourselves on being a technical distributor to specialist industries.

Working with a range of quality product suppliers across a number of specialist markets, we are not your average 'box shifter' - we are your technical and supply chain partner.

We fully support every product we sell - for free! Our internal team and external sales engineers can answer any product or application question, no matter the complexity.

Backing up this technical ability is a range of 50,000+ products available from stock for nationwide next day delivery (same day if required!), or you can collect what you need from any of our trade counters around the UK.

Select your specialist interest below to learn more about how we can help.



Online, In Branch and On the Road - Scattergood & Johnson Ltd, there when you need us.

# [www.scatts.co.uk](http://www.scatts.co.uk)