

**EURONORD P 081906**



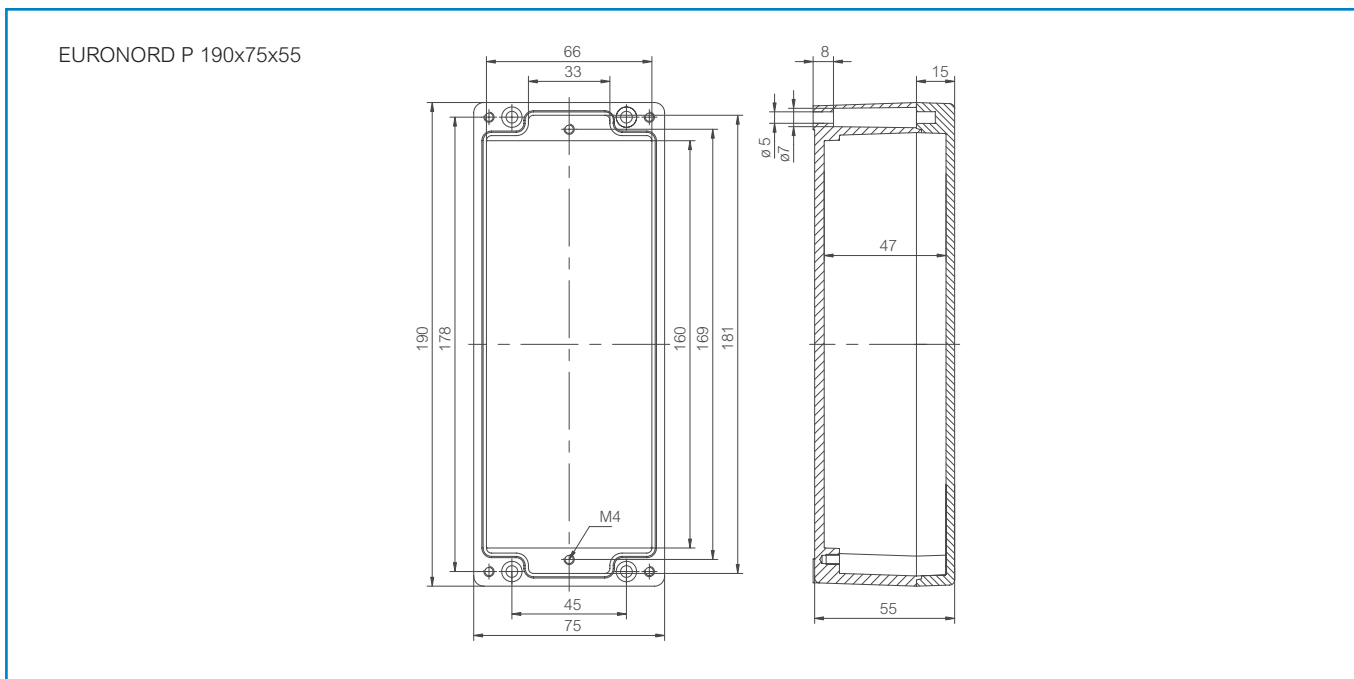
Sample photo

**Order symbol:** P 081906  
**Product nbr:** 7094190  
**Description:** Enclosure  
**Remarks:** Polyester

**EAN:** 6418074004369  
**EI. number:**  
 Finland: 3423658  
 Electric No. Denmark: 8212005633  
 Electric No. Italy: 7331025  
 Electric No. Sweden: 2536211

Including: Base, cover with EPDM gasket and stainless steel cover screws.

| Dimensions:                         |                 |       |        | Rating:                                  |
|-------------------------------------|-----------------|-------|--------|--|
|                                     | Length          | Width | Height |  |
| <b>mm:</b>                          | 190             | 75    | 55     | Ingress Protection (EN 60529): IP66      |
| <b>inch:</b>                        | 7.5             | 3.0   | 2.2    | Impact Resistance (EN 62262): IK08       |
| Materials:                          |                 |       |        | Electrical insulation: Totally insulated |
| <b>Material:</b>                    | Polyester       |       |        | Halogen free (DIN/VDE 0472, Part 815): 1 |
| <b>Base colour:</b>                 | RAL 7001        |       |        | UV resistance: UL 508                    |
| <b>Cover screws material:</b>       | Stainless steel |       |        | Flammability Rating: UL 94 V0            |
| <b>Cover colour:</b>                | RAL 7001        |       |        | Glow Wire Test (IEC 695-2-1) °C: 960     |
| <b>Gasket material:</b>             | EPDM            |       |        | NEMA Class: NEMA 1, 4, 4X, 12, 13        |
| Temperatures:                       |                 |       |        |  |
| <b>Temperature °C (short term):</b> | -50 ... 120 °C  |       |        |  |
| <b>Temperature °C (continuous):</b> | -40 ... 80 °C   |       |        |  |
| <b>Temperature °F (short term):</b> | -60 ... 250 °F  |       |        |  |
| <b>Temperature °F (continuous):</b> | -40 ... 175 °F  |       |        |  |





# SCATTERGOOD & JOHNSON LTD

ELECTRICAL ENGINEERING & FLUID CONTROL DISTRIBUTORS

Est.1899

At Scattergood & Johnson Ltd, we pride ourselves on being a technical distributor to specialist industries.

Working with a range of quality product suppliers across a number of specialist markets, we are not your average 'box shifter' - we are your technical and supply chain partner.

We fully support every product we sell - for free! Our internal team and external sales engineers can answer any product or application question, no matter the complexity.

Backing up this technical ability is a range of 50,000+ products available from stock for nationwide next day delivery (same day if required!), or you can collect what you need from any of our trade counters around the UK.

Select your specialist interest below to learn more about how we can help.



Online, In Branch and On the Road - Scattergood & Johnson Ltd, there when you need us.

# [www.scatts.co.uk](http://www.scatts.co.uk)