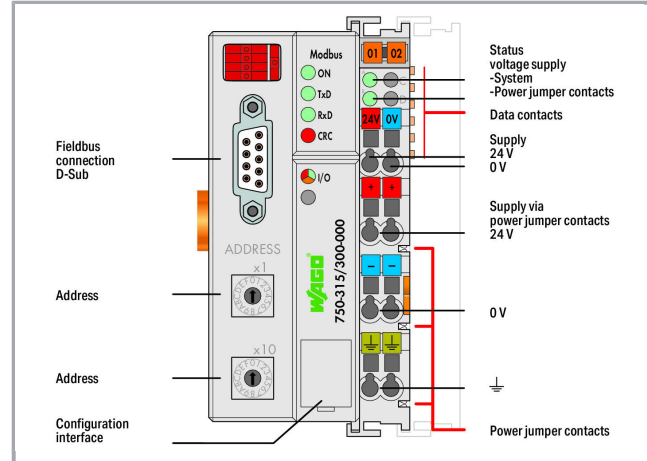




Data sheet | Item number: 750-315/300-000
 Fieldbus Coupler MODBUS; RS-485; 115,2 kBd; light gray

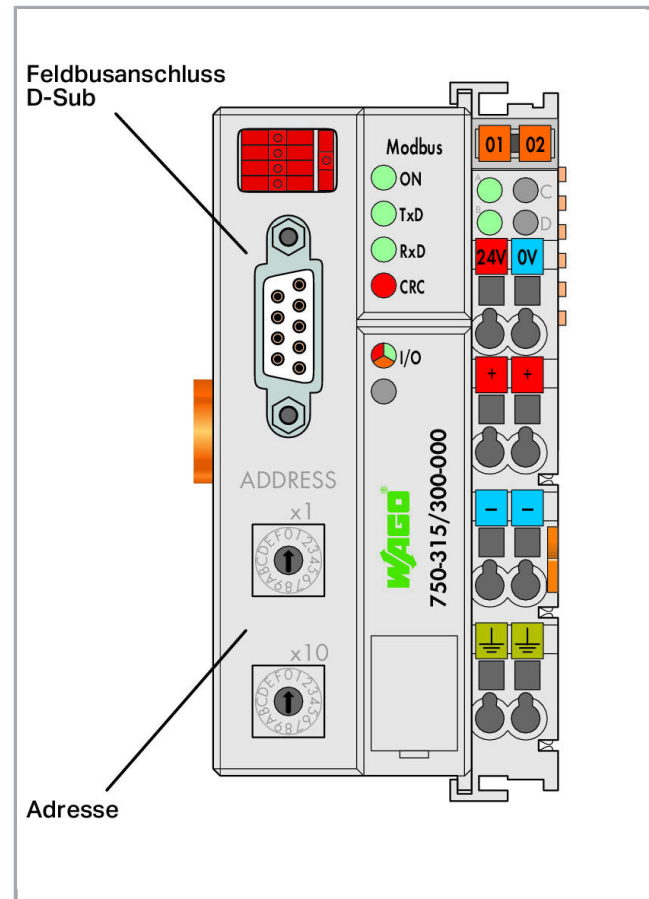
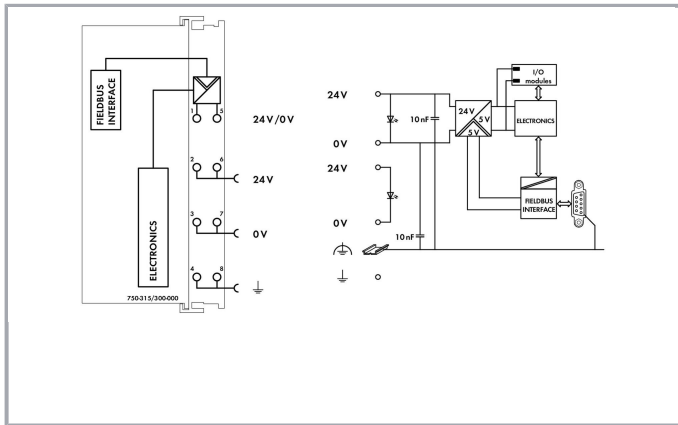
www.wago.com/750-315/300-000



Subject to changes. Please also observe the further product documentation!

WAGO Kontakttechnik GmbH & Co. KG
 Hansastr. 27
 32423 Minden
 Phone: +49571 887-0 | Fax: +49571 887-169
 Email: info.de@wago.com | Web: www.wago.com

Do you have any questions about our products?
 We are always happy to take your call at 01788 568 008.

Data sheet | Item number: 750-315/300-000www.wago.com/750-315/300-000**Item description**

This fieldbus coupler connects the WAGO I/O System as a slave to the MODBUS fieldbus.

The fieldbus coupler detects all connected I/O modules and creates a local process image. Analog and specialty module data is sent via words and /or bytes, digital data is sent bit by bit.

The data of the analog modules is stored in the process image that is created automatically according to the order in which the modules are connected to the coupler. The bits of the digital modules are sent byte by byte and added to the analog data. If the amount of digital I/O information exceeds eight bits, the coupler automatically starts with a new byte.

Data**Technical Data**

| | |
|---|------------------------|
| Communication | Modbus RTU |
| Number of fieldbus nodes on master (max.) | 247 |
| Number of I/O points | 6,000 |
| Baud rate | 150 Baud ... 115.2 kBd |
| Bus segment length (max.) | 1200 m |

Subject to changes. Please also observe the further product documentation!

WAGO Kontakttechnik GmbH & Co. KG
 Hansastr. 27
 32423 Minden
 Phone: +49571 887-0 | Fax: +49571 887-169
 Email: info.de@wago.com | Web: www.wago.com

Do you have any questions about our products?
 We are always happy to take your call at 01788 568 008.

Data sheet | Item number: 750-315/300-000www.wago.com/750-315/300-000

| | |
|---|--|
| Transmission medium | Shielded Cu cable 2 (4) x 0.25 mm ² |
| Number of modules per node (max.) | 64 |
| Input and output (fieldbus) process image (max.) | 512 Byte/512 Byte |
| Supply voltage (system) | DC 24 V(-25 ... +30 %); via pluggable connector (CAGE CLAMP [®] connection) |
| Power consumption (5 V system supply) | 350 mA |
| Total current (system supply) | 1,650 mA |
| Supply voltage (field) | DC 24 V (-25 ... +30 %); via power jumper contacts |
| Input current (typ.) at nominal load (24 V) | 500 mA |
| Power supply efficiency (typ.) at nominal load (24 V) | 87 % |
| Isolation | 500 V system/field |
| Number of outgoing power jumper contacts | 3 |
| Current carrying capacity (power jumper contacts) | 10 A |

Connection data

| | |
|---|--|
| Connection technology: communication/fieldbus | Modbus RTU: 1 x D-Sub 9 socket |
| Connection technology: field supply | 6 x CAGE CLAMP [®] |
| Connection technology: system supply | 2 x CAGE CLAMP [®] |
| Connection technology: Device configuration | 1 x Male connector; 4-pole |
| Connection type (1) | System/field supply |
| Solid conductor | 0.08 ... 2.5 mm ² / 28 ... 14 AWG |
| Fine-stranded conductor | 0.08 ... 2.5 mm ² / 28 ... 14 AWG |
| Strip length | 8 ... 9 mm / 0.31 ... 0.35 inch |

Geometrical Data

| | |
|-----------------------------------|----------------------|
| Width | 50.5 mm / 1.988 inch |
| Height | 100 mm / 3.937 inch |
| Depth | 71.1 mm / 2.799 inch |
| Depth from upper edge of DIN-rail | 63.9 mm / 2.516 inch |

Mechanical data

| | |
|---------------|-------------|
| Mounting type | DIN-35 rail |
|---------------|-------------|

Material Data

| | |
|------------------|------------------------------|
| Color | light gray |
| Housing material | Polycarbonate, polyamide 6.6 |

Subject to changes. Please also observe the further product documentation!

WAGO Kontakttechnik GmbH & Co. KG
 Hansastr. 27
 32423 Minden
 Phone: +49571 887-0 | Fax: +49571 887-169
 Email: info.de@wago.com | Web: www.wago.com

Do you have any questions about our products?
 We are always happy to take your call at 01788 568 008.

Data sheet | Item number: 750-315/300-000www.wago.com/750-315/300-000

| | |
|--------------------|----------|
| Fire load | 2.401 MJ |
| Weight | 183.2 g |
| Conformity marking | CE |

Environmental Requirements

| | |
|--|---------------------------------------|
| Surrounding air temperature (operation) | 0 ... 55 °C |
| Surrounding air temperature (storage) | -40 ... 85 °C |
| Protection type | IP20 |
| Pollution degree (5) | 2 per IEC 61131-2 |
| Operating altitude | 0 ... 2000 m |
| Mounting position | horizontal (standing/lying); vertical |
| Relative humidity (without condensation) | 95 % |
| Vibration resistance | 4g per IEC 60068-2-6 |
| Shock resistance | 15g per IEC 60068-2-27 |
| EMC immunity to interference | per EN 61000-6-2, marine applications |
| EMC emission of interference | per EN 61000-6-3, marine applications |
| Exposure to pollutants | Per IEC 60068-2-42 and IEC 60068-2-43 |
| Permissible H ₂ S contaminant concentration at a relative humidity 75 % | 10 ppm |
| Permissible SO ₂ contaminant concentration at a relative humidity 75 % | 25 ppm |

Commercial data

| | |
|-----------------------|-----------------|
| Product Group | 15 (Remote I/O) |
| Packaging type | BOX |
| Country of origin | DE |
| GTIN | 4055143070935 |
| Customs tariff number | 85176200000 |

Product family**750/753 Series – I/O System**[Show all products from the family](#)

Subject to changes. Please also observe the further product documentation!

WAGO Kontakttechnik GmbH & Co. KG
 Hansastr. 27
 32423 Minden
 Phone: +49571 887-0 | Fax: +49571 887-169
 Email: info.de@wago.com | Web: www.wago.com

Do you have any questions about our products?
 We are always happy to take your call at 01788 568 008.



SCATTERGOOD & JOHNSON LTD

ELECTRICAL ENGINEERING & FLUID CONTROL DISTRIBUTORS

Est.1899

At Scattergood & Johnson Ltd, we pride ourselves on being a technical distributor to specialist industries.

Working with a range of quality product suppliers across a number of specialist markets, we are not your average 'box shifter' - we are your technical and supply chain partner.

We fully support every product we sell - for free! Our internal team and external sales engineers can answer any product or application question, no matter the complexity.

Backing up this technical ability is a range of 50,000+ products available from stock for nationwide next day delivery (same day if required!), or you can collect what you need from any of our trade counters around the UK.

Select your specialist interest below to learn more about how we can help.



Online, In Branch and On the Road - Scattergood & Johnson Ltd, there when you need us.

www.scatts.co.uk