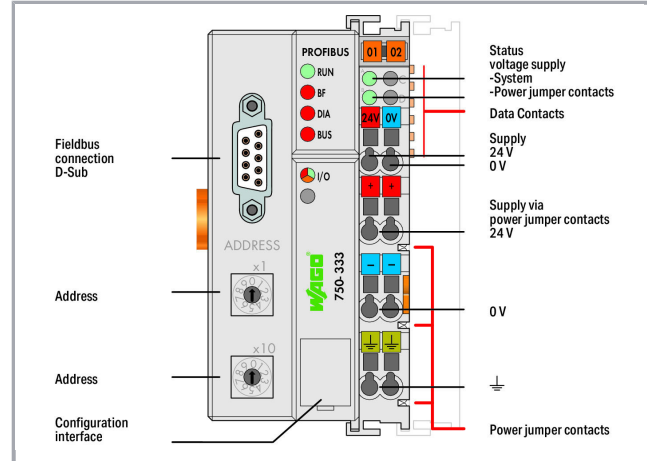


**Data sheet | Item number: 750-333**

Fieldbus Coupler PROFIBUS DP; 2nd Generation; 12 MBd; light gray

[www.wago.com/750-333](http://www.wago.com/750-333)



RoHS  Compliant

[BOMcheck.net](http://BOMcheck.net)

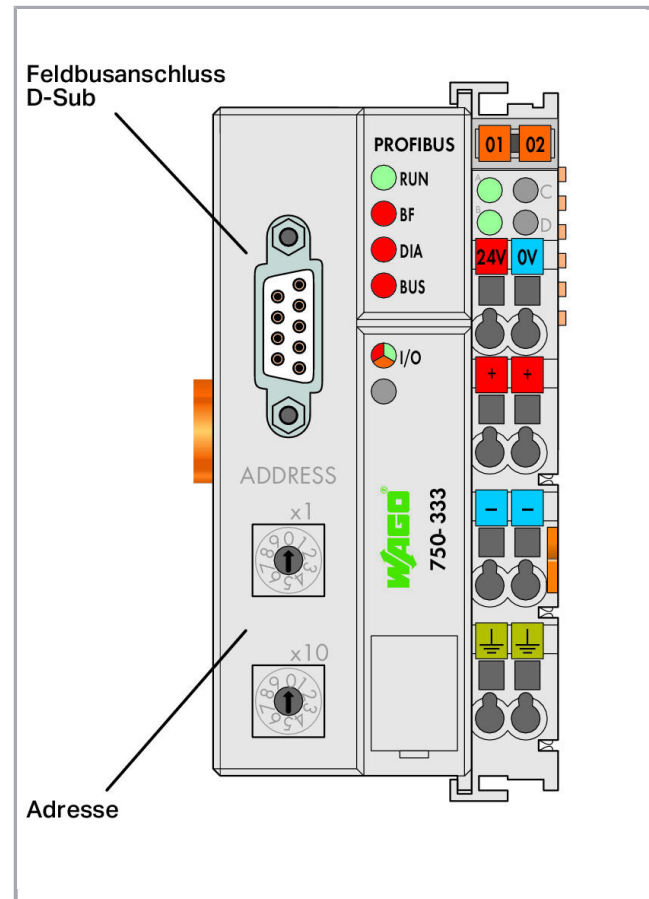
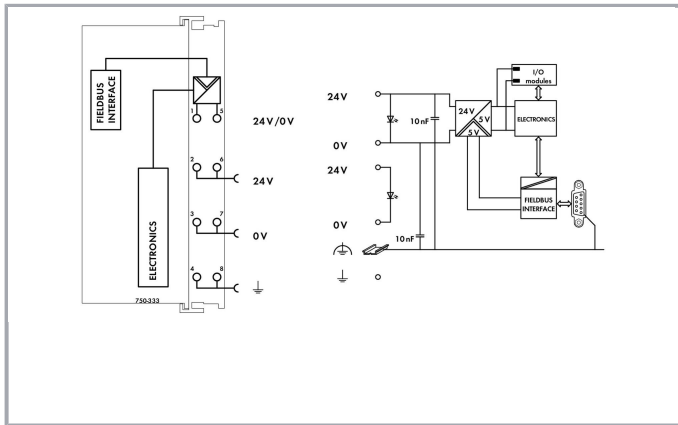
Color:

Subject to changes. Please also observe the further product documentation!

WAGO Kontakttechnik GmbH & Co. KG  
 Hansastr. 27  
 32423 Minden  
 Phone: +49571 887-0 | Fax: +49571 887-169  
 Email: [info.de@wago.com](mailto:info.de@wago.com) | Web: [www.wago.com](http://www.wago.com)

Do you have any questions about our products?  
 We are always happy to take your call at 01788 568 008.

## Data sheet | Item number: 750-333

[www.wago.com/750-333](http://www.wago.com/750-333)

## Item description

The 750-333 Fieldbus Coupler maps the peripheral data of all the WAGO I/O System's I/O modules on PROFIBUS DP.

When initializing, the coupler determines the node's module structure and creates the process image of all inputs and outputs. Modules with a bit width smaller than eight are grouped in one byte for address space optimization.

It is furthermore possible to deactivate I/O modules and to modify the image of the node according to the connected signals without having to modify the existing control application.

The diagnostic concept is based on ID- and channel-related diagnostics according to EN 50170. This does away with the need for programming modules to evaluate manufacturer-specific diagnostic data.

## Note:

**Note: Configuration files required (GSD)!**

Subject to changes. Please also observe the further product documentation!

WAGO Kontakttechnik GmbH & Co. KG  
 Hansastr. 27  
 32423 Minden  
 Phone: +49571 887-0 | Fax: +49571 887-169  
 Email: [info.de@wago.com](mailto:info.de@wago.com) | Web: [www.wago.com](http://www.wago.com)

Do you have any questions about our products?  
 We are always happy to take your call at 01788 568 008.

**Data sheet | Item number: 750-333**[www.wago.com/750-333](http://www.wago.com/750-333)**Data****Technical Data**

|   |  |
|---|--|
| Communication   | PROFIBUS   |
| Number of fieldbus nodes on master (max.)             | 96   |
| Number of I/O points                                  | 6,000  |
| Baud rate   | 9.6 kBd ... 12 MBd   |
| Bus segment length (max.)                             | 1200 m   |
| Transmission medium                                   | Cu cable per EN 50170  |
| Transmission time                                     | typ. 1 ms (10 couplers; each 32 digital I/O and 12 Mbaud) max. 3.3 ms    |
| Number of modules per node (max.)                     | 63   |
| Input and output (fieldbus) process image (max.)      | 244 Byte/244 Byte  |
| Supply voltage (system)                               | DC 24 V(-25 ... +30 %); via pluggable connector (CAGE CLAMP® connection) |
| Power consumption (5 V system supply)                 | 200 mA   |
| Total current (system supply)                         | 1,800 mA   |
| Supply voltage (field)                                | DC 24 V (-25 ... +30 %); via power jumper contacts                       |
| Input current (typ.) at nominal load (24 V)           | 500 mA   |
| Power supply efficiency (typ.) at nominal load (24 V) | 87 %   |
| Isolation   | 500 V system/field   |
| Number of outgoing power jumper contacts              | 3  |
| Current carrying capacity (power jumper contacts)     | 10 A   |
| Standard  | EN 50170   |

**Connection data**

|   |  |
|---|--|
| Connection technology: communication/fieldbus | PROFIBUS: 1 x D-Sub 9 socket                 |
| Connection technology: field supply           | 6 x CAGE CLAMP®                              |
| Connection technology: system supply          | 2 x CAGE CLAMP®                              |
| Connection technology: Device configuration   | 1 x Male connector; 4-pole                   |
| Connection type (1)                           | System/field supply                          |
| Solid conductor                               | 0.08 ... 2.5 mm <sup>2</sup> / 28 ... 14 AWG |
| Fine-stranded conductor                       | 0.08 ... 2.5 mm <sup>2</sup> / 28 ... 14 AWG |
| Strip length                                  | 8 ... 9 mm / 0.31 ... 0.35 inch              |

**Geometrical Data**

|       |                      |
|-------|----------------------|
| Width | 50.5 mm / 1.988 inch |
|-------|----------------------|

Subject to changes. Please also observe the further product documentation!

WAGO Kontakttechnik GmbH & Co. KG  
 Hansastr. 27  
 32423 Minden  
 Phone: +49571 887-0 | Fax: +49571 887-169  
 Email: [info.de@wago.com](mailto:info.de@wago.com) | Web: [www.wago.com](http://www.wago.com)

Do you have any questions about our products?  
 We are always happy to take your call at 01788 568 008.

**Data sheet | Item number: 750-333**[www.wago.com/750-333](http://www.wago.com/750-333)

|                                   |                      |
|-----------------------------------|----------------------|
| Height                            | 100 mm / 3.937 inch  |
| Depth                             | 71.1 mm / 2.799 inch |
| Depth from upper edge of DIN-rail | 63.9 mm / 2.516 inch |

**Mechanical data**

|               |             |
|---------------|-------------|
| Mounting type | DIN-35 rail |
|---------------|-------------|

**Material Data**

|                    |                              |
|--------------------|------------------------------|
| Color              | light gray                   |
| Housing material   | Polycarbonate, polyamide 6.6 |
| Fire load          | 2.779 MJ                     |
| Weight             | 183.1 g                      |
| Conformity marking | CE                           |

**Environmental Requirements**

|  |                                       |
|--|---------------------------------------|
| Surrounding air temperature (operation)  | 0 ... 55 °C                           |
| Surrounding air temperature (storage)  | -40 ... 85 °C                         |
| Protection type  | IP20                                  |
| Pollution degree (5)   | 2 per IEC 61131-2                     |
| Operating altitude   | 0 ... 2000 m                          |
| Mounting position  | horizontal (standing/lying); vertical |
| Relative humidity (without condensation)   | 95 %                                  |
| Vibration resistance   | 4g per IEC 60068-2-6                  |
| Shock resistance   | 15g per IEC 60068-2-27                |
| EMC immunity to interference   | per EN 61000-6-2, marine applications |
| EMC emission of interference   | per EN 61000-6-4, marine applications |
| Exposure to pollutants   | Per IEC 60068-2-42 and IEC 60068-2-43 |
| Permissible H <sub>2</sub> S contaminant concentration at a relative humidity 75 % | 10 ppm                                |
| Permissible SO <sub>2</sub> contaminant concentration at a relative humidity 75 %  | 25 ppm                                |

**Commercial data**

|                   |                 |
|-------------------|-----------------|
| Product Group     | 15 (Remote I/O) |
| Packaging type    | BOX             |
| Country of origin | DE              |

Subject to changes. Please also observe the further product documentation!

WAGO Kontakttechnik GmbH & Co. KG  
 Hansastr. 27  
 32423 Minden  
 Phone: +49571 887-0 | Fax: +49571 887-169  
 Email: [info.de@wago.com](mailto:info.de@wago.com) | Web: [www.wago.com](http://www.wago.com)

Do you have any questions about our products?  
 We are always happy to take your call at 01788 568 008.

## Data sheet | Item number: 750-333

[www.wago.com/750-333](http://www.wago.com/750-333)

|                       |               |
|-----------------------|---------------|
| GTIN                  | 4045454526856 |
| Customs tariff number | 8517620000    |

## Approvals / Certificates

## Ex-Approvals

| Logo | Approval   | Additional Approval Text | Certificate name                  |
|------|--|--------------------------|-----------------------------------|
|      | <b>ATEX</b><br>TUEV Nord Cert GmbH                                   | EN 60079-0               | TÜV 07<br>ATEX<br>554086 X<br>en. |
|      | <b>TUEV Nord</b><br>TUEV Nord Cert GmbH                              | IEC 60079-0              | IECEX<br>TUN<br>09.0001 X         |
|      | <b>UL</b><br>Underwriters Laboratories Inc. (HAZARDOUS<br>LOCATIONS) | UL 121201                | E198726<br>Sec.1                  |

## Country specific Approvals

| Logo | Approval                                    | Additional Approval Text | Certificate name            |
|------|---|--------------------------|-----------------------------|
|      | <b>KC</b><br>National Radio Research Agency | Article 58-2, Clause 3   | MSIP-<br>REM-W43-<br>FBC750 |

## Ship Approvals

| Logo | Approval  | Additional Approval Text | Certificate name |
|------|---|--------------------------|------------------|
|      | <b>ABS</b><br>American Bureau of Shipping               | -                        | 19-<br>HG1821926 |
|      | <b>BV</b><br>Bureau Veritas S.A.                        | -                        | 13453/DO BV      |
|      | <b>DNV GL</b><br>Det Norske Veritas, Germanischer Lloyd | -                        | TAA0000194       |

Subject to changes. Please also observe the further product documentation!

WAGO Kontakttechnik GmbH & Co. KG  
Hansastr. 27  
32423 Minden  
Phone: +49571 887-0 | Fax: +49571 887-169  
Email: [info.de@wago.com](mailto:info.de@wago.com) | Web: [www.wago.com](http://www.wago.com)


Do you have any questions about our products?  
We are always happy to take your call at 01788 568 008.

## Data sheet | Item number: 750-333

[www.wago.com/750-333](http://www.wago.com/750-333)

|   |  |   |                                 |
|---|--|---|---------------------------------|
|   | <b>KR</b><br>Korean Register of Shipping | - | <b>KR</b><br>HMB05880-<br>AC001 |
|  | <b>LR</b><br>Lloyds Register             | - | 02/20026 (E6)                   |
|   | <b>NK</b><br>Nippon Kaiji Kyokai         | - | TA17255M                        |
|  | <b>PRS</b><br>Polski Rejestr Statków     | - | TE/2236<br>/880590/19           |
|  | <b>RINA</b><br>RINA Germany GmbH         | - | ELE066419XG                     |

## UL-Approvals

| Logo   | Approval  | Additional Approval Text | Certificate name |
|--|---|--------------------------|------------------|
|  | <b>UL</b><br>UL International Netherlands B.V. (ORDINARY LOCATIONS) | UL 508                   | E175199<br>Sec.1 |

## Product family

**750/753 Series – I/O System**[Show all products from the family](#)

Subject to changes. Please also observe the further product documentation!

WAGO Kontakttechnik GmbH & Co. KG  
Hansastr. 27  
32423 Minden  
Phone: +49571 887-0 | Fax: +49571 887-169  
Email: [info.de@wago.com](mailto:info.de@wago.com) | Web: [www.wago.com](http://www.wago.com)

Do you have any questions about our products?  
We are always happy to take your call at 01788 568 008.



# SCATTERGOOD & JOHNSON LTD

ELECTRICAL ENGINEERING & FLUID CONTROL DISTRIBUTORS

Est.1899

At Scattergood & Johnson Ltd, we pride ourselves on being a technical distributor to specialist industries.

Working with a range of quality product suppliers across a number of specialist markets, we are not your average 'box shifter' - we are your technical and supply chain partner.

We fully support every product we sell - for free! Our internal team and external sales engineers can answer any product or application question, no matter the complexity.

Backing up this technical ability is a range of 50,000+ products available from stock for nationwide next day delivery (same day if required!), or you can collect what you need from any of our trade counters around the UK.

Select your specialist interest below to learn more about how we can help.



Online, In Branch and On the Road - Scattergood & Johnson Ltd, there when you need us.

# [www.scatts.co.uk](http://www.scatts.co.uk)