

DATA SHEET

Type 0290





Servo-assisted 2/2 way diaphragm valve

- Servo-assisted diaphragm valve with diameter of up to DN50
- Hard-coupled diaphragm opens without differential pressure
- Vibration-proof, block screwed coil system
- Damped design for quiet closing
- Energy-saving power reduction in all DC versions



Product variants described in the data sheet may differ from the product presentation and description.

Can be combined with

	Type 2518 Cable Plug DIN EN 175301-803 - Form A	▶
	Type 1087 Timer	▶

Type description

The 0290 valve is a servo-assisted solenoid valve of the S.EV series. The valve opens without differential pressure. The opening process is supported by the fixed coupling of the diaphragm to the plunger. In the process, the integrated 'soft-kick' function opens in a manner that is gentle on the material. Various diaphragm material combinations are available depending on the application. The range of housings is rounded off by stainless steel versions. The solenoid coils are encapsulated with a chemically resistant epoxy. 'Kick and drop' electronics are moulded into all DC versions for reduced electrical power consumption. In combination with a plug in accordance with DIN EN 175301-803 Form A, the valves satisfy protection class IP65 and when in combination with a stainless steel or plastic housing then NEMA 4X.

Table of contents

1. General technical data	3
2. Circuit functions	4
3. Materials	4
3.1. Chemical Resistance Chart – Bürkert resistApp.....	4
3.2. Material specifications	4
4. Dimensions	5
4.1. Threaded version	5
4.2. Flange version according to DIN EN 1092 - 1	5
5. Performance specifications	6
5.1. Power consumption	6
Standard version.....	6
Gas valve according to DIN EN 161 (variable code PO17).....	6
6. Ordering information	6
6.1. Bürkert eShop – Easy ordering and quick delivery.....	6
6.2. Bürkert product filter	6
6.3. Ordering chart.....	7
Brass body.....	7
Stainless steel body.....	7
Gas valve according to DIN EN 161 (variable code PO17).....	8
6.4. Ordering chart accessories.....	8
Cable plug Type 2518, form A acc. to DIN EN 175301 - 803	8
Timer Type 1087, form A acc. to DIN EN 175301 - 803	9

1. General technical data

Product characteristics	
Dimensions	Detailed information can be found in chapter "4. Dimensions" on page 5.
Nominal size	
Standard version	DN12... DN50
With approval according to DIN EN 161	DN12... DN25
Materials	
Body	Brass, stainless steel 1.4581
Coil	Epoxide
Inner valve parts	Brass, stainless steel
Seal	NBR, FKM, EPDM
Thermal insulation class coil	H
Performance data	
Response times ^{1.)}	
DN12...DN25	Opening: 100...250 ms Closing: 700...2000 ms
DN32...DN65	Opening: 100...250 ms Closing: 700...2000 ms
DN12...DN25 with approval according to DIN EN 161	Opening: 120...150 ms Closing: 130...250 ms
Pressure data [bar]	Overpressure to the atmospheric pressure
Electrical data	
Voltage	024/50, 024/DC, 024/UC, 110/50, 230/50
Voltage tolerance	± 10 %
Nominal operating mode	Continuous operation 100 % duty cycle (unless otherwise specified on the type plate)
Electrical connection	Cable plug according to DIN EN 175 301 - 803 Form A
Protection class	IP65 with cable plug
Medium data	
Medium	
NBR	Neutral media, compressed air, water, hydraulic oil, oils without additives
FKM	Per solutions, hot oils with additives
EPDM	Oil and grease-free media, e.g. hot water
NBR with approval according to DIN EN 161	Fuel gases of the 1st, 2nd and 3rd gas family
Medium temperature ^{2.)}	
NBR	- 10 °C... + 80 °C
FKM	0 °C... + 120 °C
EPDM	- 30 °C... + 120 °C
NBR with approval according to DIN EN 161	0 °C... + 80 °C
Environment and installation	
Ambient temperature	
Standard version	Max. +55 °C
With approval according to DIN EN 161	0 °C to +55 °C
Installation position	Any, preferably actuator face up
Approvals and certificates	
with approval according to DIN EN 161 (optional)	

1.) Measured with water at the valve outlet at 6 bar and + 20 °C. Öffnen: Druckaufbau 0...90 %, Schließen: Druckabbau 100...10 %

2.) Max. medium temperature for variants with high-performance electronics (encryption .../UC) is 90 °C.

2. Circuit functions

Circuit function	Description
	Type: A, Solenoid valve 2/2 way Servo-assisted Normally closed

3. Materials

3.1. Chemical Resistance Chart – Bürkert resistApp

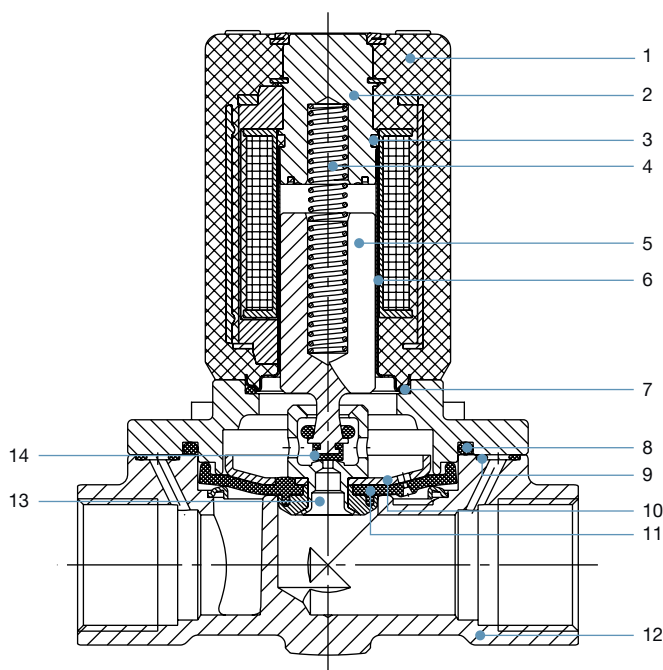


Bürkert resistApp – Chemical Resistance Chart

You want to ensure the reliability and durability of the materials in your individual application case? Verify your combination of media and materials on our website or in our resistApp.

[Start Chemical Resistance Check](#)

3.2. Material specifications



No.	Element	Material
1	Coil	Epoxide
2	Stopper	1.4105 or 1.4113
3	Shading ring (AC variant only)	Brass variant: Copper Stainless steel variant: Silver
4	Spring	1.4310
5	Magnetic core	1.4105 or 1.4113
6	Core guide tube	1.4303
7	O-ring	NBR, FKM, EPDM
8	O-ring	NBR, FKM, EPDM
9	O-ring	NBR, FKM, EPDM
10	Diaphragm plate	Brass variant: CuZn37 Stainless steel variant: 1.4401
11	Diaphragm	NBR, FKM, EPDM
12	Body	Brass or stainless steel 1.4581
13	Pilot valve seat	Brass variant: MS Stainless steel variant: 1.4401
14	Seat seal	NBR, FKM, EPDM

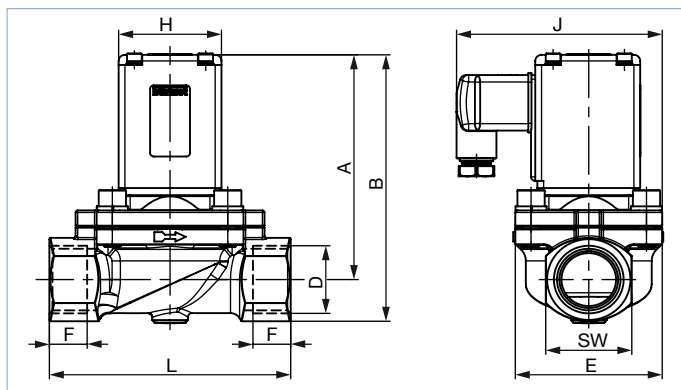
DTS 1000024859 EN Version: S Status: RL (released | freigegeben | valide) printed: 03.02.2020

4. Dimensions

4.1. Threaded version

Note:

- Dimensions in mm
- The dimensions D1 and F1 apply to G-threads
- The dimensions D2 and F2 apply to NPT-threads

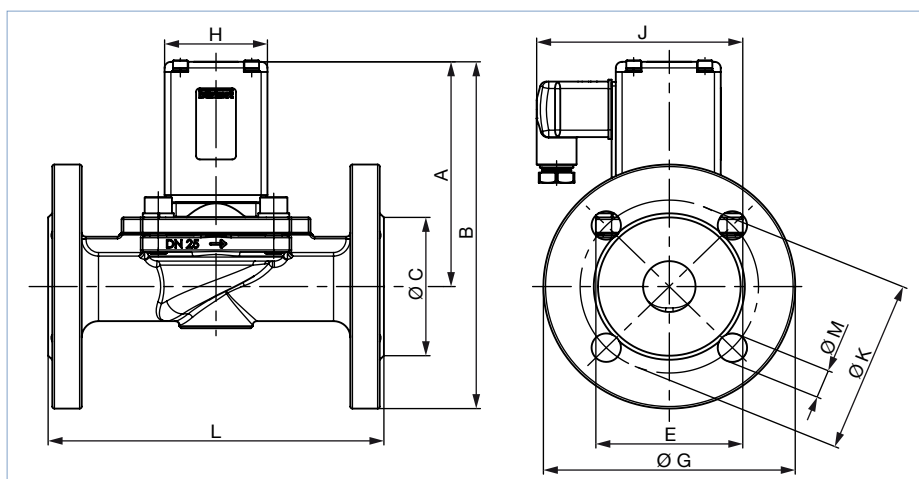


DN	A	B	G		NPT		E	L	SW	J	H
			D1	F1	D2	F2					
12	80	94	G ½	14	NPT ½	13,7	40	74,5	27	81	40
20	106	122	G ¾	16	NPT ¾	14	60	100	32	93	49
25	110,5	131	G 1	18	NPT 1	16,8	70	115	41	98	49
32	120	145	G 1¼	20	NPT 1¼	17,3	85	126	50	106	49
40	124	154	G 1½	22	NPT 1½	17,3	85	126	60	106	49
50	176	211	G 2	24	NPT 2	17,6	115	164	70	133	72
65	176	218,5	G 2½	27	NPT 2½	23,6	115	179	85	133	72

4.2. Flange version according to DIN EN 1092-1

Note:

- Flange versions on request
- Angaben in mm



DTS 1000024859 EN Version: S Status: RL (released | freigegeben | valide) printed: 03.02.2020

Type 0290

bürkert

DN	A	B	C	E	Ø G	L	M	K	J	H
25	110,5	170,5	68	70	120	160	14	85	98	49
32	120	190	78	85	140	180	18	100	106	49
40	126	201	88	85	150	200	18	110	106	49
50	176	258,5	102	115	165	230	18	125	133	72

5. Performance specifications

5.1. Power consumption

Standard version

Nominal size [mm]	K _v value water P→A [m ³ /h]	Port connection A/B and P	Electrical power consumption				Weight [kg]
			Inrush		Operation		
			AC [VA]	UC [W]	AC [VA/W]	UC [W]	
12	1.8	G ½	100	80	25/10	6	1.0
20	6.5	G ¾	120	100	32/16	9	1.4
25	10.0	G 1	120	100	32/16	9	1.8
32	16.0	G 1¼	120	100	32/16	9	2.7
40	16.0	G 1½	120	100	32/16	9	3.1
50	38.0	G 2	–	30	–	30	6.5

Gas valve according to DIN EN 161 (variable code PO17)

Nominal size [mm]	K _v value water P→A [m ³ /h]	Port connection A/B and P	Electrical power consumption				Weight [kg]
			Inrush		Operation		
			AC [VA]	UC [W]	AC [VA/W]	UC [W]	
12	1.8	G ½	100 to 120	80	25/10	6	1.0
20	6.5	G ¾		100	32/16	9	1.4
25	10.0	G 1		100	32/16	9	1.8

6. Ordering information

6.1. Bürkert eShop – Easy ordering and quick delivery

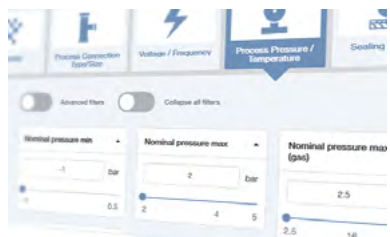


Bürkert eShop – Easy ordering and fast delivery

You want to find your desired Bürkert product or spare part quickly and order directly? Our online shop is available for you 24/7. Sign up and enjoy all the benefits.

[Order online now](#)

6.2. Bürkert product filter



Bürkert product filter – Get quickly to the right product

You want to select products comfortably based on your technical requirements? Use the Bürkert product filter and find suitable articles for your application quickly and easily.

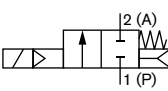
Try out our product filter

6.3. Ordering chart

Brass body

Note:

All valves with cable plug.

Circuit function	Port connection	Orifice	K _v value water [m³/h]	Pressure range [bar]	Weight [kg]	Article no. per voltage/frequency [V/Hz]			
						024/50	024/UC/DC ^{1.)}	230/50	110/50
A, Solenoid valve 2/2 way Servo-assisted Normally closed 	NBR diaphragm								
	G ½	12	1.8	0...16	0.7	043816	050294	044373	049500
	G ¾	20	6.5	0...16	1.4	058766	049518	045292	057127
	G 1	25	10.0	0...16	1.8	048171	053675	045293	053869
	G 1¼	32	16.0	0...12	2.6	085290	085291	052513	085292
	G 1½	40	16.0	0...12	3.0	085294	085295	085297	085296
	G 2	50	38.0	0...12	6.7	–	085299 ^{3.)}	085301 ^{2.)}	085300 ^{2.)}
	FKM diaphragm								
	G ½	12	1.8	0...16	0.7	048707	049229	042886	059240
	G ¾	20	6.5	0...16	1.4	053910	053674	049745	067973
	G 1	25	10.0	0...16	1.8	066270	066981	058627	067974
	G 1¼	32	16.0	0...12	2.6	120631	017457	087203	137478
	G 1½	40	16.0	0...12	3.0	228118	089619	087663	–
	G 2	50,0	38.0	0...12	6.7	–	120952 ^{3.)}	088551 ^{2.)}	–
	EPDM diaphragm								
	G ½	12	1.8	0...16	0.7	045931	049050	044816	049055
	G ¾	20	6.5	0...16	1.4	065033	058427	045290	069138
	G 1	25	10.0	0...16	1.8	054245	057155	045291	064887
	G 1¼	32	16.0	0...12	2.6	087204	072962	085259	076763
	G 1½	40	16.0	0...12	3.0	073290	079629	087732	–
	G 2	50	38.0	0...12	6.7	–	120104 ^{3.)}	077494 ^{2.)}	121308 ^{2.)}

1.) The coil for UC (universal current) has internal high-performance electronics. Please check that adequate performance is available (see "5. Performance specifications" on page 6).

2.) The valve is supplied with a cable plug with integrated rectifier.

3.) DC only

Type 0290



Stainless steel body

Note:

All valves with cable plug.

Circuit function	Port connection	Orifice	K _v value water [m³/h]	Pressure range [bar]	Weight [kg]	Article no. per voltage/frequency [V/Hz]			
						024/50	024/UC/DC ¹⁾	230/50	110/50
A, Solenoid valve 2/2 way Servo-assisted Normally closed 	NBR diaphragm								
	G ½	12	1.8	0...16	0.7	043659 ☞	053595 ☞	043654 ☞	052358 ☞
	G ¾	20	6.5	0...16	1.3	068338 ☞	018754 ☞	065121 ☞	-
	G 1	25	10.0	0...16	1.7	068510 ☞	061974 ☞	065414 ☞	067696 ☞
	FKM diaphragm								
	G ½	12	1.8	0...16	0.7	048708 ☞	049987 ☞	042888 ☞	058407 ☞
	G ¾	20	6.5	0...16	1.3	065362 ☞	066381 ☞	064701 ☞	066594 ☞
	G 1	25	10.0	0...16	1.7	018121 ☞	065542 ☞	066125 ☞	069477 ☞
	EPDM diaphragm								
	G ½	12	1.8	0...16	0.7	045765 ☞	048606 ☞	043553 ☞	049053 ☞
	G ¾	20	6.5	0...16	1.3	066460 ☞	059910 ☞	065025 ☞	025870 ☞
	G 1	25	10.0	0...16	1.7	059890 ☞	018348 ☞	059901 ☞	054044 ☞

Gas valve according to DIN EN 161 (variable code PO17)

Note:

All valves with cable plug.

Circuit function	Port connection	Orifice	K _v value water [m³/h]	Pressure range [bar]	Weight [kg]	Article no. per voltage/frequency [V/Hz]			
						024/UC	230/50	230/UC	
A, Solenoid valve 2/2 way Servo-assisted Normally closed 	NBR diaphragm								
	G ½	12	1.8	0...5	0.7	280855 ☞	266512 ☞	281001 ☞	
	G ¾	20	6.5		1.4	280877 ☞	266513 ☞	280878 ☞	
	G 1	25	10.0		1.8	280879 ☞	266515 ☞	280880 ☞	

Other versions on request	
Approval UL, UR, CSA	Voltage Further voltages on request
Process connection Flange connection according to DIN EN 1092 - 1 (DN25 ... DN50)	

DTS 1000024859 EN Version: S Status: RL (released | freigegeben | valide) printed: 03.02.2020

Type 0290


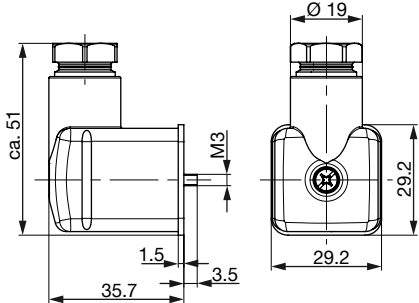


6.4. Ordering chart accessories

Cable plug Type 2518, form A acc. to DIN EN 175301 - 803

Note:



For other versions see data sheet **Type 2518** ▶.

Cable plug	Dimensions	Version	Voltage	Article no.
		Without circuitry (AC/DC)	0...250 V AC/DC	314802
		With LED (AC/DC)	12...24 V AC/DC	314812
		With LED and varistor (AC/DC)	12...24 V AC/DC	314820
		With rectifier, LED and varistor	12...24 V AC/DC	314816

Timer Type 1087, form A acc. to DIN EN 175301 - 803

Note:

For more information on the timer, see data sheet **Type 1087** ▶.

Timer	Approval	Product code	Voltage range	Article no.
	-	1087-A-BCH-UC-28	10...30 V AC/DC	348828
	-	1087-A-BDK-UC-28	24...240 V AC/DC	348829
	cURus	1087-A-BCH-UC-28*PU01	10...30 V AC/DC	348906
	cURus	1087-A-BDK-UC-28*PU01	24...240 V AC/DC	348907
	-	1087-A-BFW-UC-29	10...48 V AC/DC	348830
	-	1087-A-BDX-UC-29	110...240 V AC/DC	348831
	cURus	1087-A-BFW-UC-29*PU01	10...48 V AC/DC	348908
	cURus	1087-A-BDX-UC-29*PU01	110...240 V AC/DC	348909

DTS 1000024859 EN Version: S Status: RL (released | freigegeben | validé) printed: 03.02.2020

Bürkert – Close to You

For up-to-date addresses
please visit us at
www.burkert.com

DTS 1000024859 EN Version: S Status: RL (released | freigegeben | validé) printed: 03.02.2020



Credits, © and concept: Christian Bürkert GmbH & Co. KG | Photographs: Marc Eggimann Fotografie - 4051 Basel | Scanner GmbH - Werbeagentur Künzelsau - 74653 Künzelsau



SCATTERGOOD & JOHNSON LTD

ELECTRICAL ENGINEERING & FLUID CONTROL DISTRIBUTORS

Est.1899

At Scattergood & Johnson Ltd, we pride ourselves on being a technical distributor to specialist industries.

Working with a range of quality product suppliers across a number of specialist markets, we are not your average 'box shifter' - we are your technical and supply chain partner.

We fully support every product we sell - for free! Our internal team and external sales engineers can answer any product or application question, no matter the complexity.

Backing up this technical ability is a range of 50,000+ products available from stock for nationwide next day delivery (same day if required!), or you can collect what you need from any of our trade counters around the UK.

Select your specialist interest below to learn more about how we can help.



Online, In Branch and On the Road - Scattergood & Johnson Ltd, there when you need us.

www.scatts.co.uk