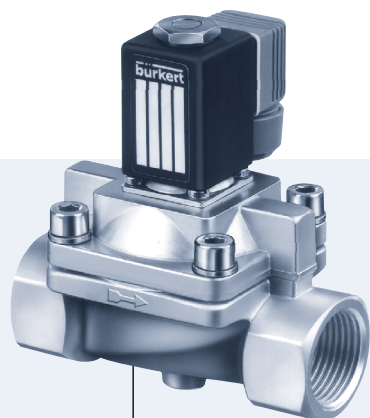


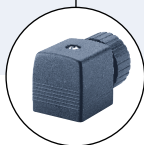
0406

burkert
 FLUID CONTROL SYSTEMS


2/2 way Solenoid Valve for neutral media up to + 180 °C, G 1/2 - G 1

- Solenoid valve with servo-piston
- Temperatures up to + 180 °C
- For neutral media, incl. steam
- Push-over coil system
- Threaded and flange valve bodies

Type 0406 can be combined with...



Type 2508
Cable plug



Type 1078
Timer unit



Type 2511
ASI cable plug

Type 0406 is a pilot controlled solenoid valve with servo-piston and is suitable for media up to + 180 °C. A minimum differential pressure of 1 bar is required to fully open the valve.

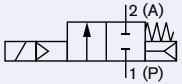
The valve is closed by its own media pressure and spring force without power supply.

Technical data	
Orifice	DN13 ... 25
Body material	Brass, grey cast iron
Coil material	Epoxy
Coil insulation class	H
Seal material	PTFE/graphite
Media	Neutral media such as hot water and steam
Media temperature	- 10 ... + 180 °C
Ambient temperature	max. + 55 °C
Viscosity	max. 21 mm ² /s
Voltage tolerance	± 10 %
Duty cycle	100 % continuous rating
Electrical connection	Cable plug for Ø 7 mm cable, acc. to DIN EN 175 301-803 Form A (supplied as standard)
Protection class	IP65 with cable plug
Installation	As required, preferably with actuator upright

Power consumption			
Orifice DN [mm]	Inrush AC [VA]	Hold (hot coil)	
		AC [VA/W]	DC [W]
13 ... 25	21	12/8	8
32 ... 40	35 ... 40	16/12	-

Ordering chart for valves (other versions on request)

All valves with PTFE and graphite-seal, with cable plug (exception see footnote)

Circuit function	Port connection	Orifice [mm]	K _v value water [m ³ /h]	Pressure range [bar]	Body material	Item no. per voltage/frequency [V/Hz]		
						024/DC	024/50	230/50
A 2/2 way-valve NC 	G ½	13	3.7	1 ... 4	Brass	019310	-	-
				1 ... 12	Brass	-	020541	061305
	G ¾	20	5.0	1 ... 4	Brass	021004	-	-
				1 ... 12	Brass	-	019818	061303
	G 1	25	10.0	1 ... 4	Brass	019983	-	-
				1 ... 12	Brass	-	021440	061304
	Flange acc. to DIN 2501			1 ... 4	GG25	078255	-	-
				1 ... 12	GG25	-	-	022126

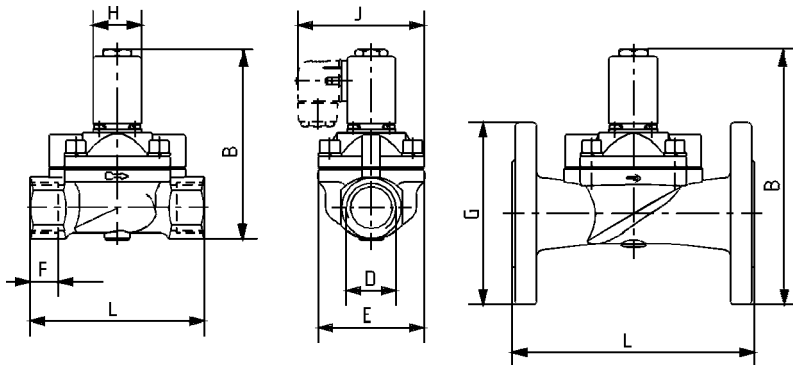
* Flange version with Item-no. 078 255 (024/DC) supplied without cable plug.

i Further versions on request

⚡ Voltage
110/50, non-standard voltages

👤 Approvals
UL, UR, CSA

Dimensions [mm]



DN	D	B	E	F	G	H	J	L
13	G ½	113	40	14	-	32	69	65
20	G ¾	115	60	16	-	32	79	100
25	G 1	125	70	18	-	32	84	115
25	Flange	169	73	-	120	32	86	160

To find your nearest Bürkert facility, click on the orange box → www.burkert.com

In case of special application conditions, please consult for advice.

We reserve the right to make technical changes without notice.
© Christian Bürkert GmbH & Co. KG

1712/2_EU-en_00891629



SCATTERGOOD & JOHNSON LTD

ELECTRICAL ENGINEERING & FLUID CONTROL DISTRIBUTORS

Est.1899

At Scattergood & Johnson Ltd, we pride ourselves on being a technical distributor to specialist industries.

Working with a range of quality product suppliers across a number of specialist markets, we are not your average 'box shifter' - we are your technical and supply chain partner.

We fully support every product we sell - for free! Our internal team and external sales engineers can answer any product or application question, no matter the complexity.

Backing up this technical ability is a range of 50,000+ products available from stock for nationwide next day delivery (same day if required!), or you can collect what you need from any of our trade counters around the UK.

Select your specialist interest below to learn more about how we can help.



Online, In Branch and On the Road - Scattergood & Johnson Ltd, there when you need us.

www.scatts.co.uk