



Advantages/Benefits

- ▶ **Multi-timer programming.** The last program setting is retained in the memory and can be transferred by insertion to the 1078-2 programmable timer

Design/Function

The control unit Type 1077-2 with a 4½-digit, 7-segment-LCD-display, special symbols and indication bars can be operated with two keys.

The control unit installs the program into the basic timer unit (1078-2).

Multi-timer programming is provided for since the last program is retained to transfer to other base timers. The last setting can be displayed during operation.

Applications

- The control unit Type 1077-2 is plugged-onto suitable basic units in place of the normal unit cover (e.g. Type 1078-2). It is used to set parameters and to control the functions of these basic units (1078-2).

burkert
Easy Fluid Control Systems

Control Unit

Type 1077-2

Technical Data

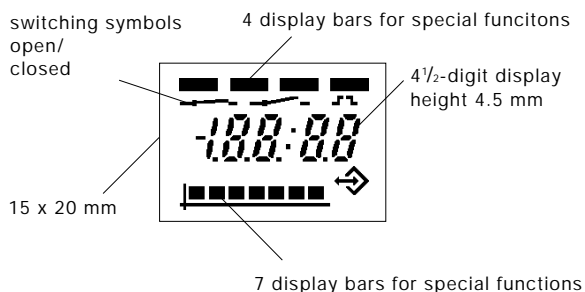
Operating voltages	The voltage supply of the control unit is fed from the basic unit being programmed
Power consumption	5 mW
Operating elements	2 keys under front membrane
Display element	LCD-display with: <ul style="list-style-type: none"> • 4½-digit 7-segment-display, height 4.5 mm • 11 display bars • 6 special symbols

Function

1. Display mode:
Displayed are the actual values of the basic unit or one of the set parameters. The selection is made with the "▶" key. When both the keys are pressed simultaneously, the unit shifts to the programming mode.
2. Programming mode:
In a sequence, the basic function and up to three parameters can be set. The values are set via the "▲" key. The "▶" key allows the program to shift to the next value being set. After the last parameter, the programming mode is automatically cleared and stores the new programmed parameters and values.

Body

Installation	2 x 180° positioning
Connection	4-pole tag connector with basic unit
Body material	polyamide
Installation	cheesehead screw M 3 x 55 mm
Dimensions	<ul style="list-style-type: none"> • 32 x 70 x 16 mm without basic unit • 32 x 90 x 53,5 mm with basic unit
Weight	approx. 35 g
Operating temp. range	0 up to + 60 °C

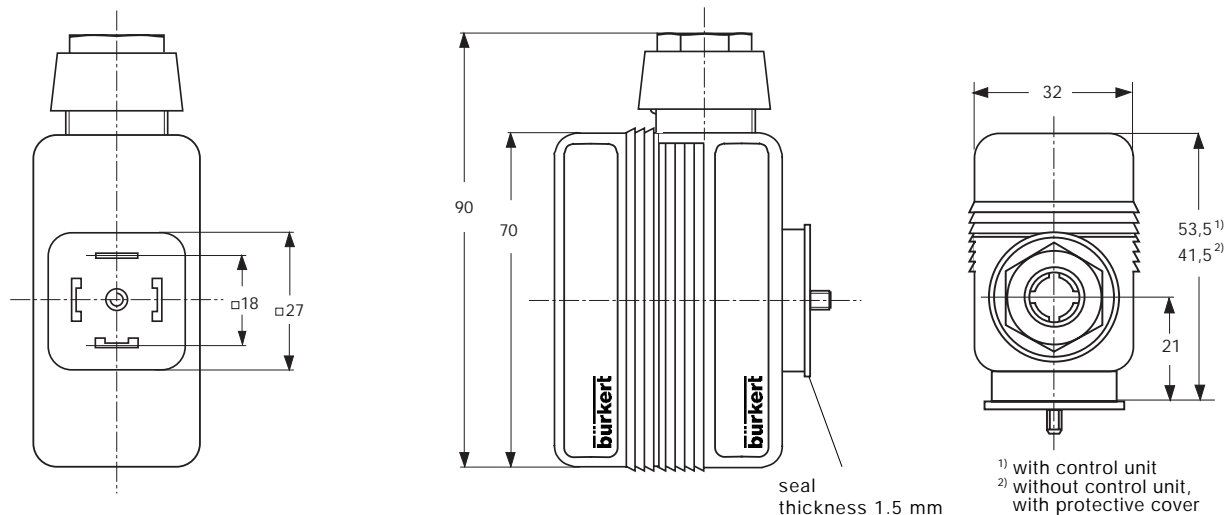


Order-No. 060 638 L

Note

The control unit is required in order to programme the timer unit Type 1078-2.

Dimensions in mm



In case of special requirements please consult for advice.

We reserve the right to make technical changes without notice.

710-GB/ 2-0128



SCATTERGOOD & JOHNSON LTD

ELECTRICAL ENGINEERING & FLUID CONTROL DISTRIBUTORS

Est.1899

At Scattergood & Johnson Ltd, we pride ourselves on being a technical distributor to specialist industries.

Working with a range of quality product suppliers across a number of specialist markets, we are not your average 'box shifter' - we are your technical and supply chain partner.

We fully support every product we sell - for free! Our internal team and external sales engineers can answer any product or application question, no matter the complexity.

Backing up this technical ability is a range of 50,000+ products available from stock for nationwide next day delivery (same day if required!), or you can collect what you need from any of our trade counters around the UK.

Select your specialist interest below to learn more about how we can help.



Online, In Branch and On the Road - Scattergood & Johnson Ltd, there when you need us.

www.scatts.co.uk