

DATA SHEET

Type 2505



Socket for 10 mm for Bürkert Solenoid Valves

- Installation width 10 mm
- Cable and flying leads version available
- Contact form in grid dimension 2.54 mm
- Locking



Product variants described in the data sheet may differ from the product presentation and description.

Can be combined with



Type 6144
3/2 way Flipper Solenoid Valve, direct acting



Type 0127
Direct-acting 2/2 or 3/2 way Rocker-Solenoid Valve with separating diaphragm



Type 6628
2/2 or 3/2 way Twin-Power Rocker-Solenoid Valve with separating diaphragm



Type 6624
2/2 and 3/2 way Bürkert TwinPower Rocker-Solenoid Valve with separating diaphragm

Type description

Connector with locking lug for contacting Bürkert solenoid valves with rectangular plug connector. These robust and affordable plug connection has established itself in the area of all small Bürkert solenoid valves in the analyst engineering and process pneumatics. As well as strands and cable versions connectors for printed circuit board (PCB) mounting are also available.

Table of contents

1. General Technical Data	3
2. Dimensions	3
2.1. Cable version	3
2.2. Flying leads version	4
2.3. Connector for PCB mounting	5
3. Ordering information	5
3.1. Bürkert eShop – Easy ordering and quick delivery.....	5
3.2. Bürkert product filter.....	6
3.3. Ordering chart.....	6
Cable version	6
Flying leads version	6
Connector self-assembly.....	6
Connector for PCB mounting	7

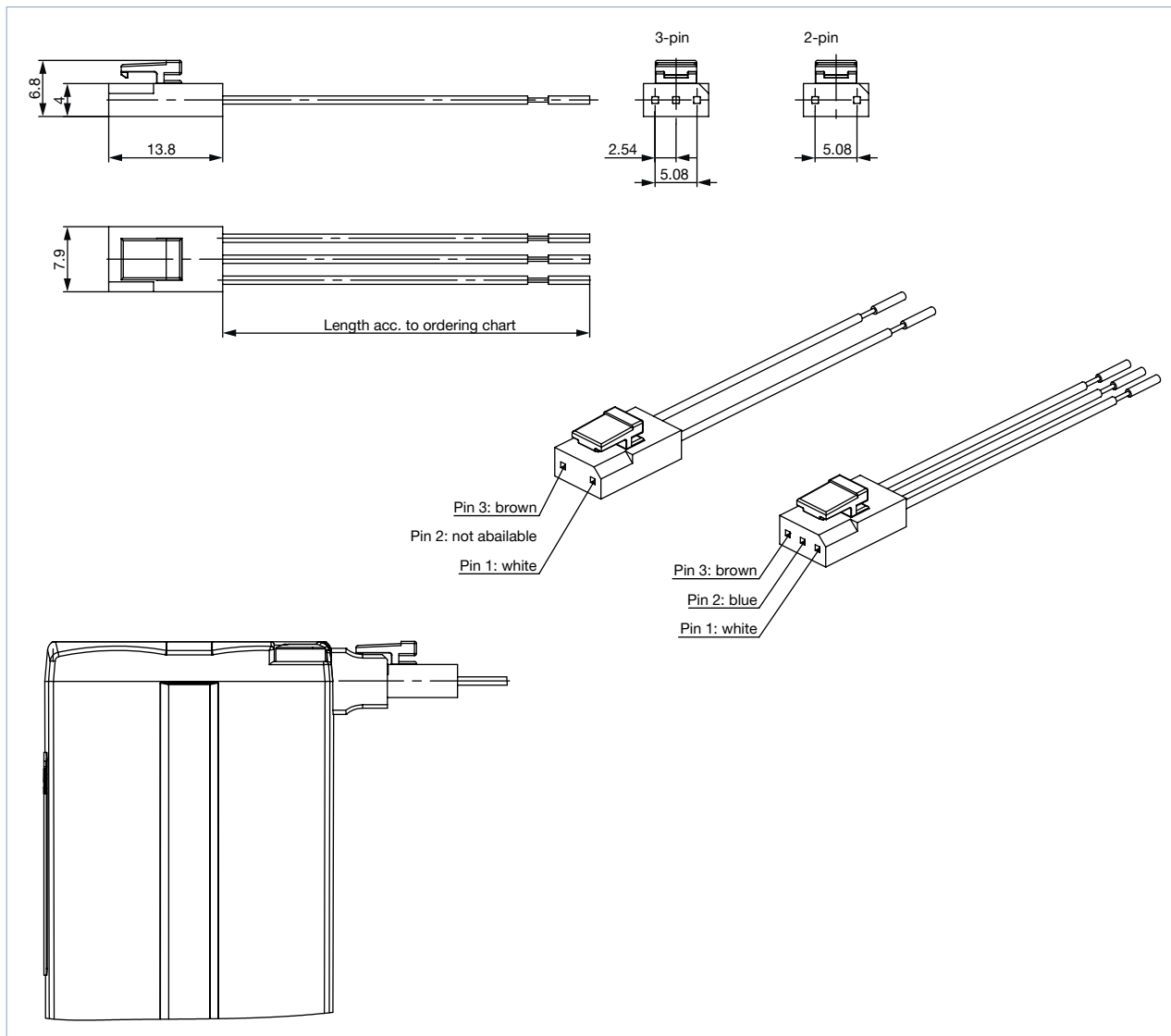
Type 2505



2.2. Flying leads version

Note:

Dimensions in mm



DTS 1000274823 EN Version: D Status: RL (released | freigegeben | validé) printed: 25.06.2020

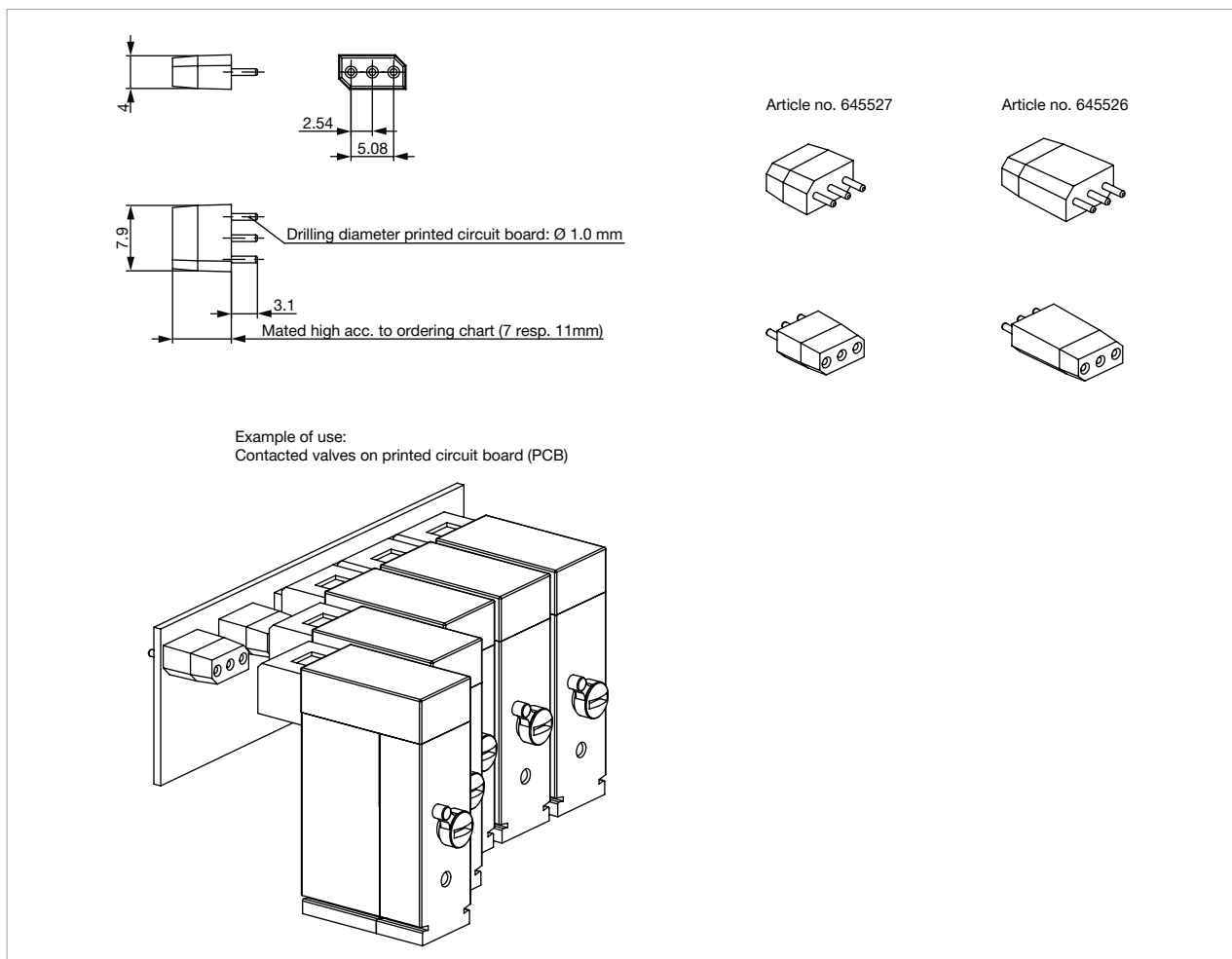
Type 2505

bürkert

2.3. Connector for PCB mounting

Note:

Dimensions in mm



3. Ordering information

3.1. Bürkert eShop – Easy ordering and quick delivery




Bürkert eShop – Easy ordering and fast delivery

You want to find your desired Bürkert product or spare part quickly and order directly? Our online shop is available for you 24/7. Sign up and enjoy all the benefits.

[Order online now](#)

3.2. Bürkert product filter





Bürkert product filter – Get quickly to the right product

You want to select products comfortably based on your technical requirements? Use the Bürkert product filter and find suitable articles for your application quickly and easily.


[Try out our product filter](#)

3.3. Ordering chart


Cable version

Description	Cable length	Article no.
2 pin connector, coating color grey		
	0.5 m	260807
	3.0 m	252572
	5.0 m	255194
3 pin connector, coating color black		
	0.5 m	260833
	3.0 m	252573

Flying leads version

Description	Core cross-section	Flying leads length	Number of terminals	Article no.
Connector with single flying leads				
	0.14 mm ²	300 mm	2	644068
		600 mm	2	162144
		300 mm	3	212968
	0.25 mm ²	300 mm	2	262346
		600 mm	2	262351
		300 mm	3	262350

Connector self-assembly




Description	Suitable for core cross-section	Number of terminals	Article no.
Connector housing, locking, with loose crimp contacts			
	0,08...0,34 mm ²	2	644067

DTS 1000274823 EN Version: D Status: RL (released | freigegeben | valide) printed: 25.06.2020

Type 2505

bürkert

Connector for PCB mounting

Description	Mated height	Article no.
3 pin, grid dimension 2.54 mm, non-locking		
	7 mm	645527 
	11 mm	645526 

Bürkert – Close to You

For up-to-date addresses
please visit us at
www.burkert.com

DTS 1000274823 EN Version: D Status: RL (released | freigegeben | validé) printed: 25.06.2020



Credits, © and concept: Christian Bürkert GmbH & Co. KG | Photographs: Marc Eggimann Fotografie - 4051 Basel | Scanner GmbH - Werbeagentur Künzelsau - 74653 Künzelsau



SCATTERGOOD & JOHNSON LTD

ELECTRICAL ENGINEERING & FLUID CONTROL DISTRIBUTORS

Est.1899

At Scattergood & Johnson Ltd, we pride ourselves on being a technical distributor to specialist industries.

Working with a range of quality product suppliers across a number of specialist markets, we are not your average 'box shifter' - we are your technical and supply chain partner.

We fully support every product we sell - for free! Our internal team and external sales engineers can answer any product or application question, no matter the complexity.

Backing up this technical ability is a range of 50,000+ products available from stock for nationwide next day delivery (same day if required!), or you can collect what you need from any of our trade counters around the UK.

Select your specialist interest below to learn more about how we can help.



Online, In Branch and On the Road - Scattergood & Johnson Ltd, there when you need us.

www.scatts.co.uk