

DATA SHEET

Type 5404



Servo-assisted 2/2 way piston valve

- Servo-assisted piston valve with an orifice up to DN 50
- Explosion proof versions for Cat. 2
- Suitable for gas and steam applications up to 160 °C
- Relief valves for compressors



Product variants described in the data sheet may differ from the product presentation and description.

Can be combined with



Type 2518

Cable Plug
DIN EN 175301 - 803 -
Form A

Type description

The 5404 valve is a servo-assisted piston valve available in NC and NO versions. A minimum differential pressure is required for the valve switching function. The solenoid coils are moulded with high-quality epoxy resin. In combination with a plug to DIN EN 175301 - 803 Form A, the valves satisfy degree of protection IP65. The plug is not included and must be ordered separately.

Table of contents

1. General technical data	4
2. Circuit functions	5
3. Materials	5
3.1. Chemical Resistance Chart – Bürkert resistApp.....	5
3.2. Standard version.....	5
DN 12, Circuit function A	5
DN 25, Circuit function B	6
DN 32, Circuit function A	6
3.3. Steam version NA07	7
DN 13, Circuit function A	7
DN 32, Circuit function A, flange body	7
3.4. High pressure version MX13.....	8
DN 12, Circuit function A	8
3.5. Discharge valve for compressor systems CF05	8
DN 12, Circuit function B	8
4. Dimensions	9
4.1. Standard version.....	9
Threaded version DN 12	9
Threaded version DN 20 and DN 25.....	9
Threaded version DN 32 and DN 50.....	10
4.2. Steam version NA07	11
Threaded version DN 13	11
Threaded version DN 20, DN 25	11
Flange version DN 25	12
Threaded version DN 32 and DN 40	12
Flange version DN 32 and DN 40	13
4.3. High pressure version MX13.....	14
4.4. Discharge valve for compressor systems CF05	14
Plug version with ventilation	14
4.5. ATEX/IECEX version.....	15
Cable version	15
Terminal box.....	15
5. Performance specifications	16
5.1. Temperature/duty cycle derating diagram for steam version NA07	16
5.2. Characteristic values of intermittent operation	16
6. Product accessories	16
6.1. Cable glands for ATEX/IECEX terminal box	16
6.2. Special tool to turn the junction box	17
7. Ordering information	17
7.1. Bürkert eShop – Easy ordering and quick delivery.....	17
7.2. Bürkert product filter	17
7.3. Ordering chart.....	18
Standard version DN 12..DN 25.....	18
Standard version DN 32..DN 50.....	18
Steam version NA07, DN 13...DN 25	19

Type 5404

Steam version NA07, DN 32...DN 40	19
High pressure version MX13.....	20
Discharge valve for compressor systems CF05	20
ATEX/IECEX version with 3-meter cable.....	20
ATEX/IECEX terminal box.....	21
7.4. Ordering chart accessories.....	22
Cable plug Type 2513, form A acc. to DIN EN 175301-803	22
Accessories for ATEX/IECEX terminal box	22

1. General technical data

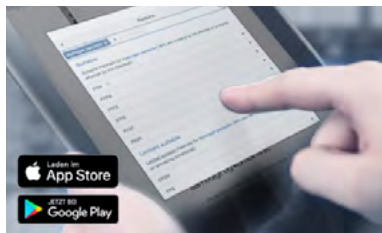
Product properties	
Materials	
Body	Brass
Coil	Epoxy resin (Polyamide on request)
Seal	PTFE seat seal + FKM PTFE seat seal + Graphite steam version PTFE seat seal + EPDM on request
Orifice	DN 12...DN 50
Coil insulation class	H (B on request)
Valve internals	Stainless steel, brass
Electrical data	
Voltage tolerance	± 10 %
Electrical power consumption	
Circuit function A, DN 12...DN 25 (not in combination with high pressure MX13)	Inrush AC: 24 VA Hold AC (hot coil): 14 VA/8 W Hold DC (hot/cold coil): 8/9.5 W
Circuit function B, DN 12...DN 25	Inrush AC: 24 VA Hold AC (hot coil): 14 VA/8 W Hold DC (hot/cold coil): 8/9.5 W
ATEX/IECEx version	Inrush AC: 9 VA Hold AC (hot coil): 9 VA Hold DC (hot/cold coil): 9 W
Circuit function A, DN 32...DN 50 and DN 12 as high pressure MX13	Inrush AC: 24 VA Hold AC (hot coil): 16 VA/10 W Hold DC (hot/cold coil): 12/13 W
Performance data	
Duty cycle	100 % continuous rating
Response times	
DN 12...DN 25	Opening: 20...400 ms Closing: 100...1500 ms
DN 32...DN 50	Opening: 200...1500 ms Closing: 1000...3000 ms
Medium data	
Medium	Neutral mediums, compressed air, water, hydraulic oil and steam
Medium temperature	
Standard	- 10 °C...120 °C
Steam version	Up to 160 °C, see "5.1. Temperature/duty cycle derating diagram for steam version NA07" on page 16 (from -40 °C on request)
Approvals and Certificates	
Protection class	IP65 with cable plug (IP67 on request)
Product connections	
Electrical connection	Tag connector acc. to DIN EN 175301 - 803 Form A
Environment and installation	
Installation	As required, preferably with actuator upright
Ambient temperature	- 10 °C...+55 °C (from -40 °C on request)

2. Circuit functions

Circuit functions	Description
	Type: A, solenoid valve 2/2 way Servo-controlled Normally closed
	Type: B, solenoid valve 2/2 way Servo-controlled Normally open

3. Materials

3.1. Chemical Resistance Chart – Bürkert resistApp



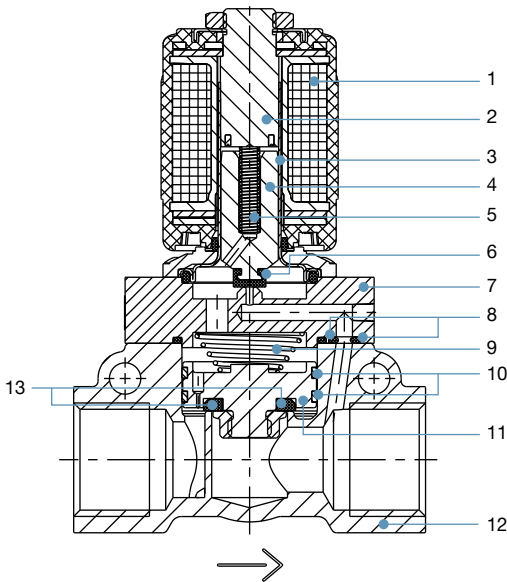
Bürkert resistApp – Chemical Resistance Chart

You want to ensure the reliability and durability of the materials in your individual application case? Verify your combination of media and materials on our website or in our resistApp.

[Start Chemical Resistance Check](#)

3.2. Standard version

DN 12, Circuit function A

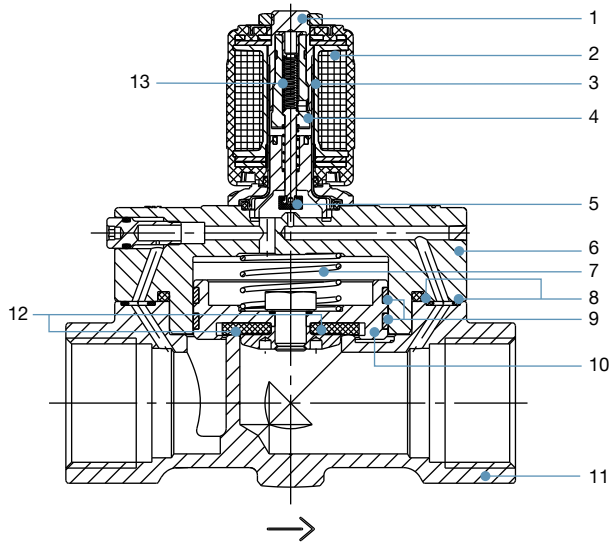


No.	Element	Material
1	Coil	Epoxy (Polyamide optional)
2	Stopper	1.4105 Stainless steel
3	Armature guide tube	1.4303 Stainless steel
4	Plunger	1.4105 Stainless steel
5	Spring	1.4310 Stainless steel
6	Plunger seal	FKM (EPDM optional)
7	Cover	Brass
8	O-Rings	FKM (EPDM optional)
9	Spring	1.4310 Stainless steel
10	Piston rings	PTFE
11	Piston	Brass
12	Valve body	Brass
13	Piston seal	PTFE

Type 5404

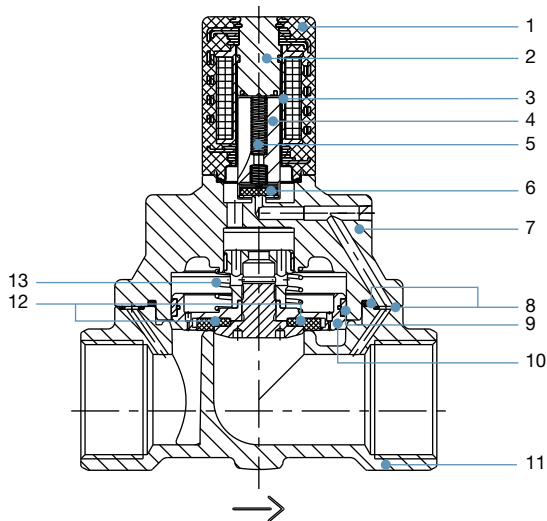


DN 25, Circuit function B



No.	Element	Material
1	Stopper	1.4113 Stainless steel
2	Coil	Epoxy
3	Armature guide tube	1.4303 Stainless steel
4	Plunger	1.4113/1.4305 Stainless steel
5	Plunger seal	FKM (EPDM optional)
6	Cover	Brass
7	Spring	1.4310 Stainless steel
8	O-Rings	FKM (EPDM optional)
9	Piston rings	PTFE
10	Piston	Brass
11	Valve body	Brass
12	Piston seal	PTFE
13	Spring	1.4310 Stainless steel

DN 32, Circuit function A

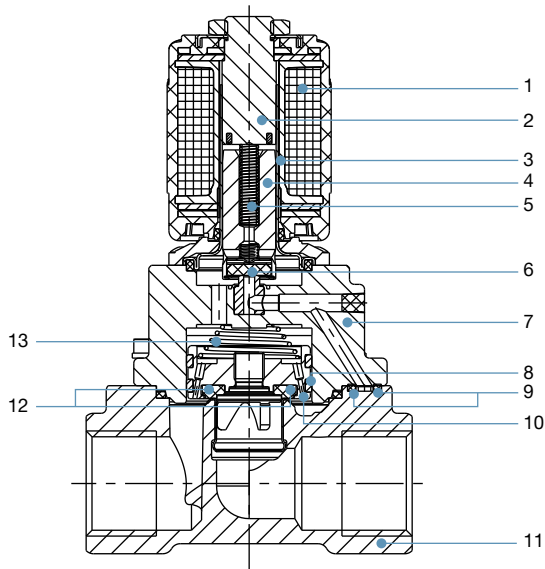


No.	Element	Material
1	Coil	Epoxy
2	Stopper	1.4105 Stainless steel
3	Armature guide tube	1.4303 Stainless steel
4	Plunger	1.4105 Stainless steel
5	Spring	1.4310 Stainless steel
6	Plunger seal	FKM
7	Cover	Brass
8	O-Rings	FKM
9	Piston rings	PTFE
10	Piston	Brass
11	Valve body	Brass
12	Piston seal	PTFE
13	Spring	1.4310 Stainless steel

DTS 1000011017 EN Version: S Status: RL (released | freigegeben | validé) printed: 15.06.2020

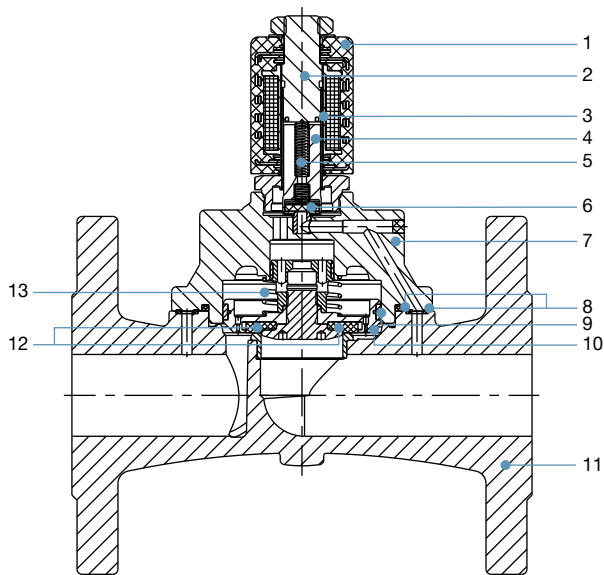
3.3. Steam version NA07

DN 13, Circuit function A



No.	Element	Material
1	Coil	Epoxy
2	Stopper	1.4113 Stainless steel
3	Armature guide tube	1.4303 Stainless steel
4	Plunger	1.4113 Stainless steel
5	Spring	1.4310 Stainless steel
6	Plunger seal	PTFE
7	Cover	Brass
8	Piston rings	PTFE
9	O-Rings	Graphite
10	Piston	Brass
11	Valve body	Brass
12	Piston seal	PTFE
13	Spring	1.4310 Stainless steel

DN 32, Circuit function A, flange body

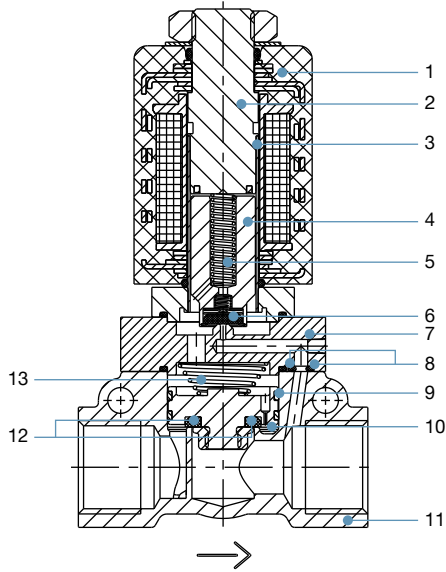


No.	Element	Material
1	Coil	Epoxy
2	Stopper	1.4113 Stainless steel
3	Armature guide tube	1.4571 Stainless steel
4	Plunger	1.4113 Stainless steel
5	Spring	1.4310 Stainless steel
6	Plunger seal	PTFE
7	Cover	Brass
8	O-Rings	Graphite
9	Piston rings	PTFE
10	Piston	Brass
11	Valve body	Gray cast iron
12	Piston seal	PTFE
13	Spring	1.4310 Stainless steel

DTS 1000011017 EN Version: S Status: RL (released | freigegeben | validé) printed: 15.06.2020

3.4. High pressure version MX13

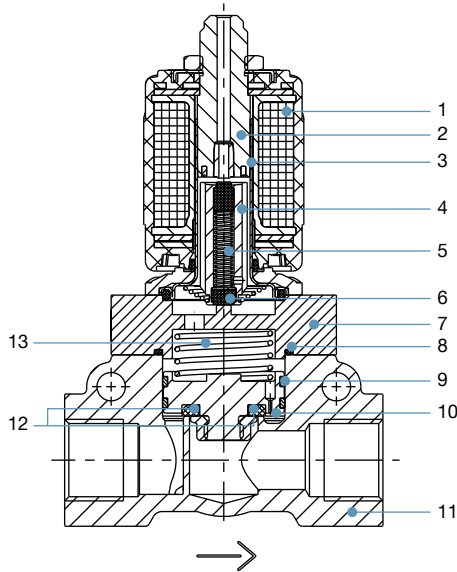
DN 12, Circuit function A



No.	Element	Material
1	Coil	Epoxy (Polyamide)
2	Stopper	1.4113 Stainless steel
3	Armature guide tube	1.4571 Stainless steel
4	Plunger	1.4113 Stainless steel
5	Spring	1.4310 Stainless steel
6	Plunger seal	PTFE
7	Cover	Brass
8	O-Rings	FKM
9	Piston rings	PTFE
10	Piston	Brass
11	Valve body	Brass
12	Piston seal	PTFE
13	Spring	1.4310 Stainless steel

3.5. Discharge valve for compressor systems CF05

DN 12, Circuit function B



No.	Element	Material
1	Coil	Epoxy (Polyamide optional)
2	Stopper	1.4105 Stainless steel
3	Armature guide tube	1.4303 Stainless steel
4	Plunger	1.4105 Stainless steel
5	Spring	1.4310 Stainless steel
6	Plunger seal	FKM
7	Cover	Brass
8	O-Rings	FKM
9	Piston rings	PTFE
10	Piston	Brass
11	Valve body	Brass
12	Piston seal	PTFE
13	Spring	1.4310 Stainless steel

DTS 1000011017 EN Version: S Status: RL (released | freigegeben | validé) printed: 15.06.2020

Type 5404



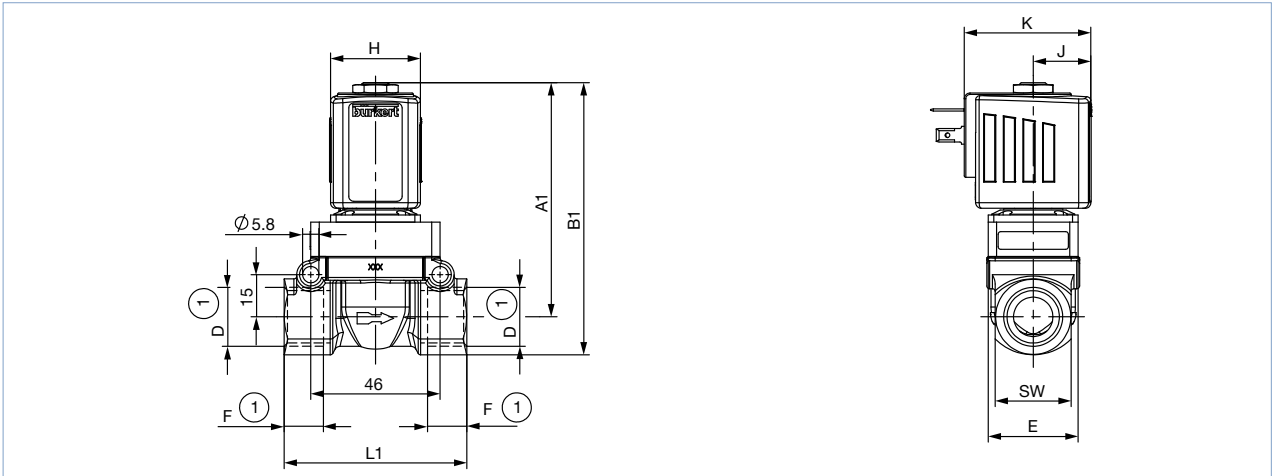
4. Dimensions

4.1. Standard version

Threaded version DN 12

Note:

- For G-threads the dimensions D1 and F1 apply.
- For NPT-threads the dimensions D2 and F2 apply.
- For Rc-threads the dimensions D3 and F3 apply.
- Dimensions in mm

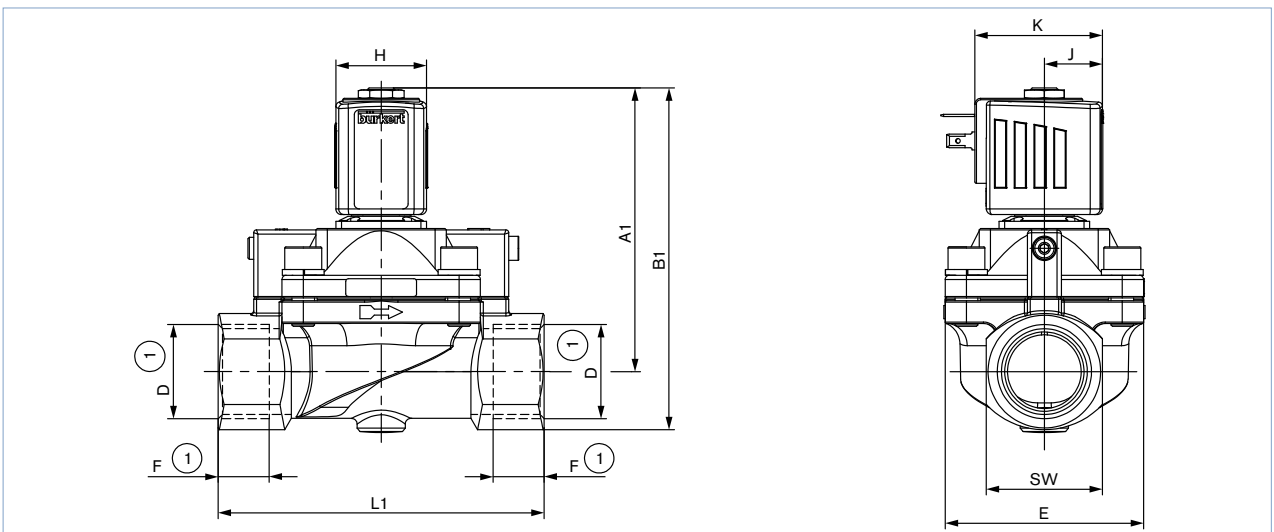


Coil size	DN	WWA		WWB		G thread		NPT thread		Rc thread		E	L1	SW	H	J	K
		A1	B1	A1	B1	D1	F1	D2	F2	D3	F3						
5	12.0	83	96.5	90.5	104	G ½	14	NPT ½	13.7	Rc ½	13.2	33	65	27	32	20.5	45
6	12.0	83	96.5	90.5	104	G ½	14	NPT ½	13.7	Rc ½	13.2	33	65	27	40	23.5	51

Threaded version DN 20 and DN 25

Note:

- For G-threads the dimensions D1 and F1 apply.
- For NPT-threads the dimensions D2 and F2 apply.
- For Rc-threads the dimensions D3 and F3 apply.
- Dimensions in mm



Visit product website ►

Type 5404

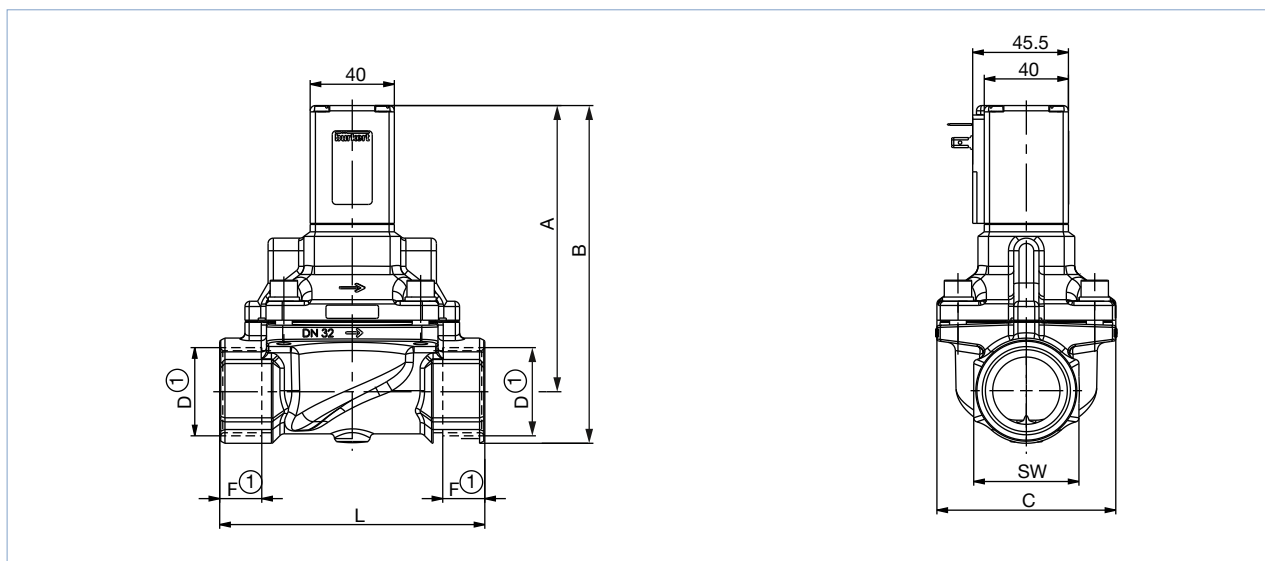


Coil size	DN	WWA		WWB		G thread		NPT thread		Rc thread		E	L1	SW	H	J	K
		A1	B1	A1	B1	D1	F1	D2	F2	D3	F3						
5	20.0	93	109	90.5	104	G 3/4	16	NPT 3/4	14	Rc 3/4	14.5	60	100	32	32	20.5	45
	25.0	99.5	119			G 1	18	NPT 1	16.8	Rc 1	16.8	70	115	41			
6	20.0	93	109	90.5	104	G 3/4	16	NPT 3/4	14	Rc 3/4	14.5	60	100	32	40	23.5	51
	25.0	99.5	119			G 1	18	NPT 1	16.8	Rc 1	16.8	70	115	41			

Threaded version DN 32 and DN 50

Note:

- For G-threads the dimensions D1 and F1 apply.
- For NPT-threads the dimensions D1 and F1 apply.
- Dimensions in mm



DN	A	B	G thread		NPT thread		C	L	SW
			D1	F1	D2	F2			
32	136	161	G 1 1/4	20	NPT 1 1/4	17.3	85	126	50
32	140	170	G 1 1/2	22	NPT 1 1/2	17.3	85	126	60
50	163	198	G 2	24	NPT 2	17.6	115	164	70

DTS 1000011017 EN Version: S Status: RL (released | freigegeben | validé) printed: 15.06.2020

Type 5404

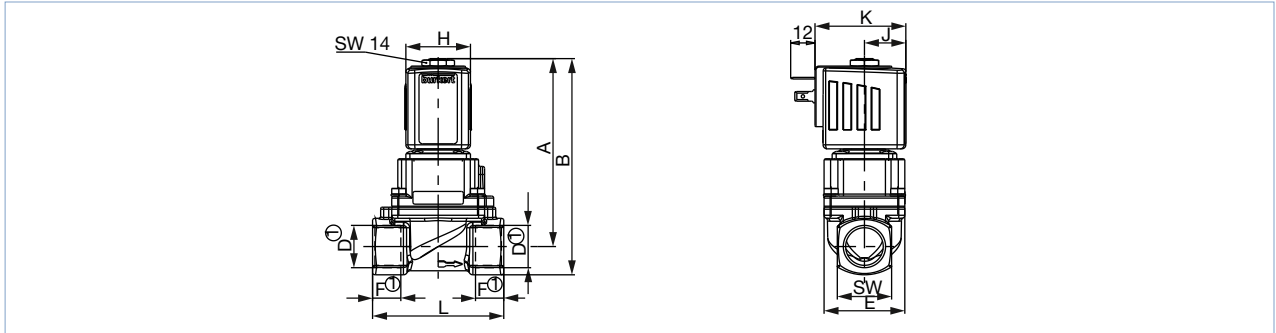


4.2. Steam version NA07

Threaded version DN 13

Note:

- For G-threads the dimensions D1 and F1 apply.
- For NPT-threads the dimensions D2 and F2 apply.
- For Rc-threads the dimensions D3 and F3 apply.
- Dimensions in mm

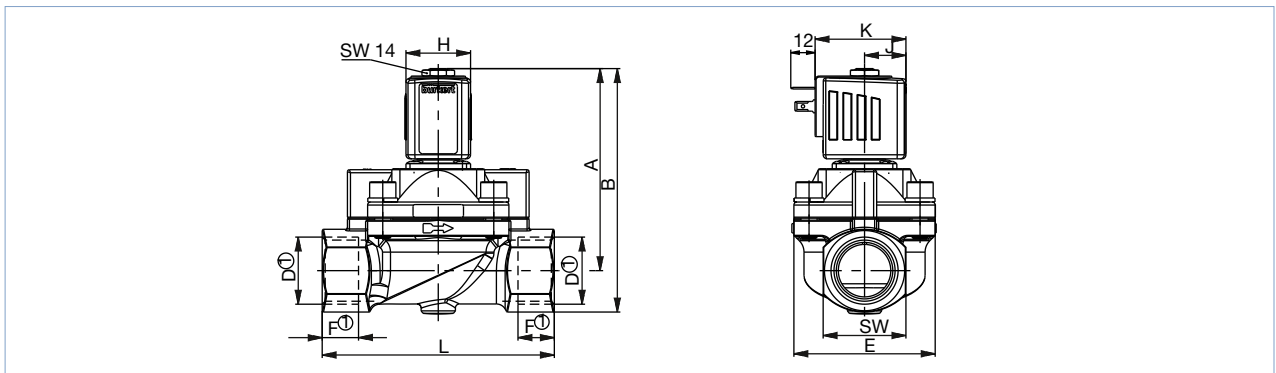


Coil size	DN	A	B	G thread		NPT thread		Rc thread		E	L	SW	H	J	K
				D1	F1	D2	F2	D3	F3						
5	13	93.1	107.1	G ½	14	NPT ½	13.7	Rc ½	13.2	40	65	27	32	20.5	45
6	13	93.1	107.1	G ½	14	NPT ½	13.7	Rc ½	13.2	40	65	27	40	23.5	51

Threaded version DN 20, DN 25

Note:

- For G-threads the dimensions D1 and F1 apply.
- For NPT-threads the dimensions D2 and F2 apply.
- For Rc-threads the dimensions D3 and F3 apply.
- Dimensions in mm



Coil size	DN	A	B	G thread		NPT thread		Rc thread		E	L	SW	H	J	K
				D1	F1	D2	F2	D3	F3						
5	20	96.1	112.1	G ¾	16	NPT ¾	14	Rc ¾	14.5	60	100	32	32	20.5	45
	25	100.1	120.6	G 1	18	NPT 1	16.8	Rc 1	16.8	70	115	41			
6	20	96.1	112.1	G ¾	16	NPT ¾	14	Rc ¾	14.5	60	100	32	40	23.5	51
	25	100.1	120.6	G 1	18	NPT 1	16.8	Rc 1	16.8	70	115	41			

DTS 1000011017 EN Version: S Status: RL (released | freigegeben | valide) printed: 15.06.2020

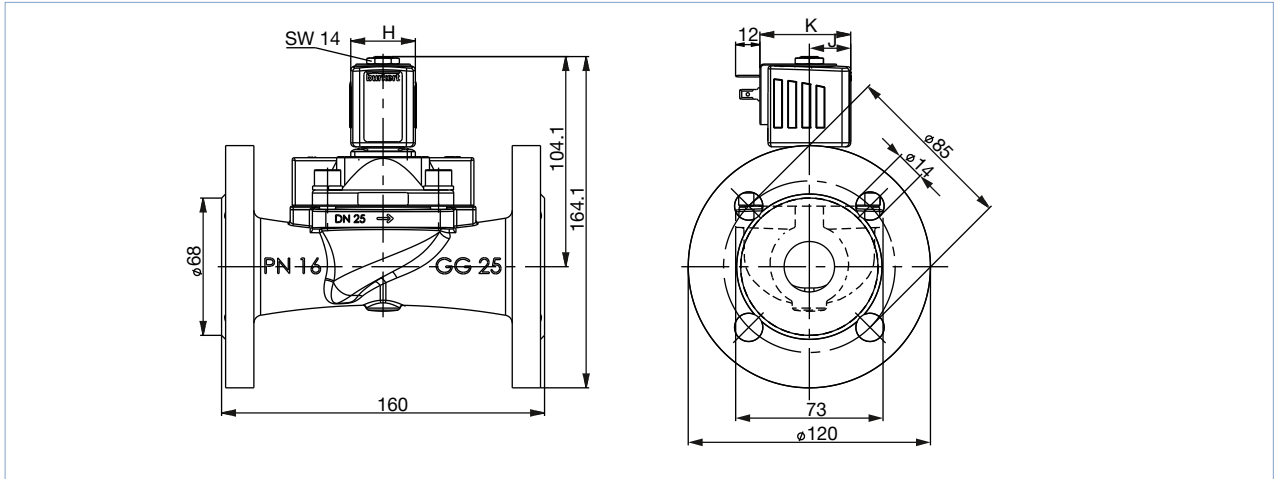
Type 5404



Flange version DN 25

Note:

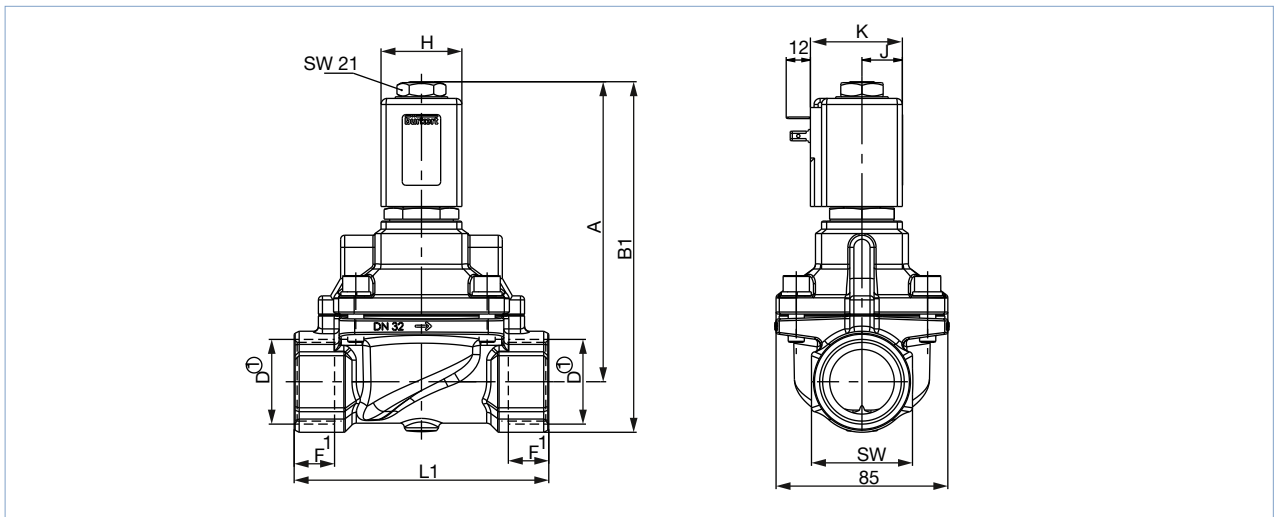
- For G-threads the dimensions D1 and F1 apply.
- For NPT-threads the dimensions D2 and F2 apply.
- For Rc-threads the dimensions D3 and F3 apply.
- Dimensions in mm



Coil size	DN	A	B	G thread		NPT thread		Rc thread		E	L	SW	H	J	K
				D1	F1	D2	F2	D3	F3						
5	25	100.1	120.6	G 1	18	NPT 1	16.8	Rc 1	16.8	70	115	41	32	20.5	45
6	25	100.1	120.6	G 1	18	NPT 1	16.8	Rc 1	16.8	70	115	41	40	23.5	51

Threaded version DN 32 and DN 40

- For G-threads the dimensions D1 and F1 apply.
- For NPT-threads the dimensions D2 and F2 apply.
- Dimensions in mm



Coil size	DN	A	B1	G thread		NPT thread		L	B2	C	G	L2	M	SW	H	J	K
				D1	F1	D2	F2										
C	32	148	173	G 1¼	20	NPT 1¼	17.3	126	218	78	140	180	100	50	40	20	45
	40	153	181	G 1½	22	NPT 1½	17.3	126	227	88	150	200	110	60			

Visit product website ►

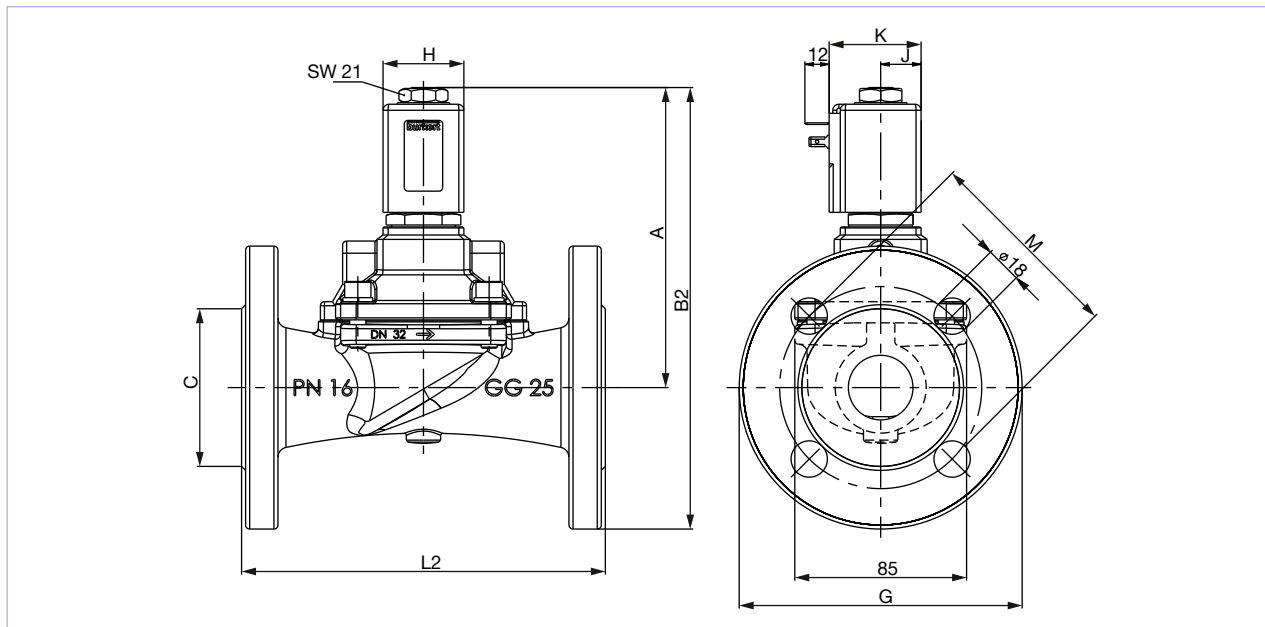
Type 5404



Flange version DN 32 and DN 40

Note:

- For G-threads the dimensions D1 and F1 apply.
- For NPT-threads the dimensions D2 and F2 apply.
- Dimensions in mm



Coil size	DN	A	B1	G thread		NPT thread		L	B2	C	G	L2	M	SW	H	J	K
				D1	F1	D2	F2										
C	32	148	173	G 1¼	20	NPT 1¼	17.3	126	218	78	140	180	100	50	40	20	45
	40	153	181	G 1½	22	NPT 1½	17.3	126	227	88	150	200	110	60			

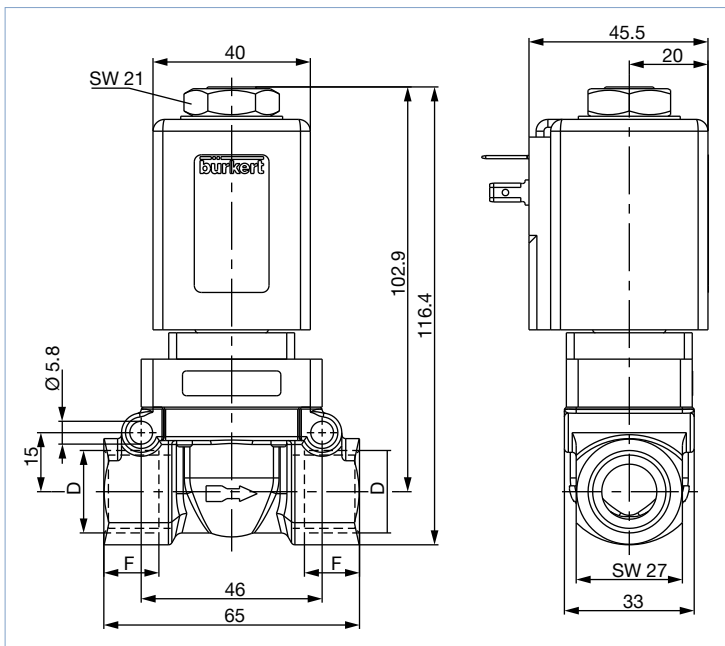
DTS 1000011017 EN Version: S Status: RL (released | freigegeben | validé) printed: 15.06.2020

Type 5404



4.3. High pressure version MX13

Note:
Dimensions in mm

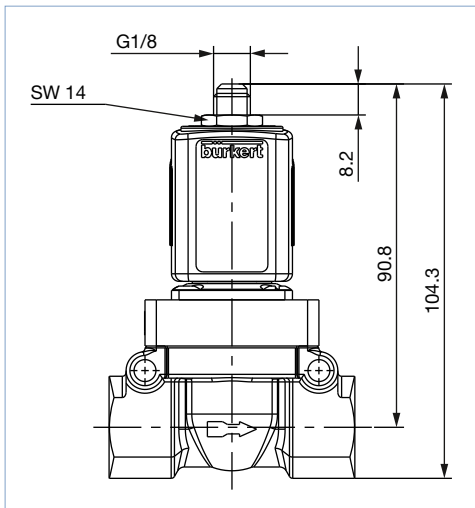


D	F
G 1/2	14
NPT 1/2	13.7

4.4. Discharge valve for compressor systems CF05

Plug version with ventilation

Note:
Dimensions in mm



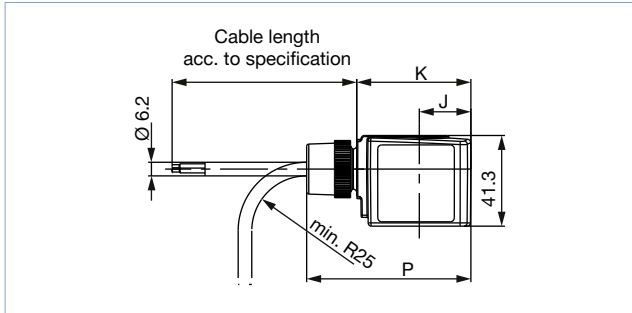
DTS 1000011017 EN Version: S Status: RL (released | freigegeben | valide) printed: 15.06.2020

Type 5404



4.5. ATEX/IECEEx version

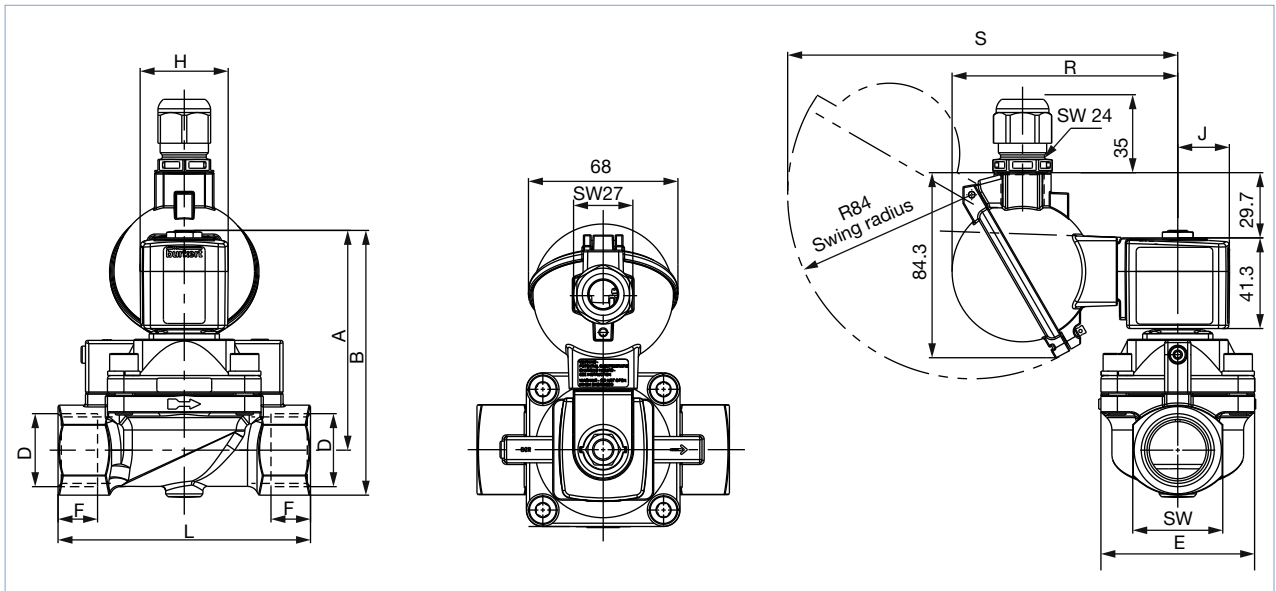
Cable version



Terminal box

Note:

- For G-threads the dimensions D1 and F1 apply.
- For NPT-threads the dimensions D2 and F2 apply.
- For Rc-threads the dimensions D3 and F3 apply.
- Dimensions in mm

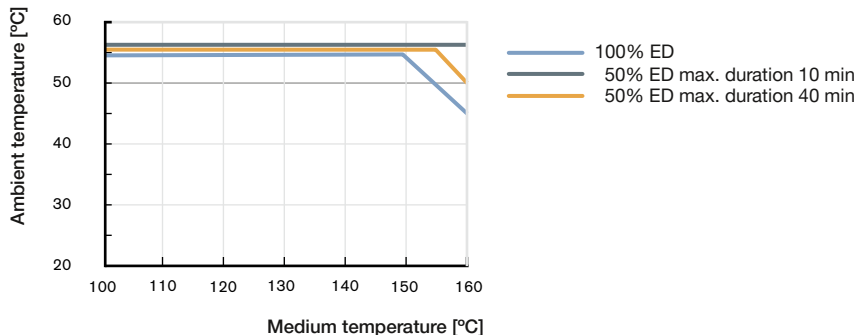


Coil size	DN	WWA		WWB		G thread		NPT thread		Rc thread		E	L	SW	H	J	K	P	R	S
		A	B	A	B	D1	F1	D2	F2	D3	F3									
5	12	83	96.5	90.8	104.3	G 1/2	14	NPT 1/2	13.7	Rc 1/2	13.2	33	65	27	32	20.5	46	68.8	99.8	174.7
	20	93	109			G 3/4	16	NPT 3/4	14	Rc 3/4	14.5	60	100	32						
	25	99.5	119			G 1	18	NPT 1	16.8	Rc 1	16.8	70	115	41						
6	12	83	96.5	90.8	104.3	G 1/2	14	NPT 1/2	13.7	Rc 1/2	13.2	33	65	27	40	23.5	52	74.8	102.8	177.7
	20	93	109			G 3/4	16	NPT 3/4	14	Rc 3/4	14.5	60	100	32						
	25	99.5	119			G 1	18	NPT 1	16.8	Rc 1	16.8	70	115	41						

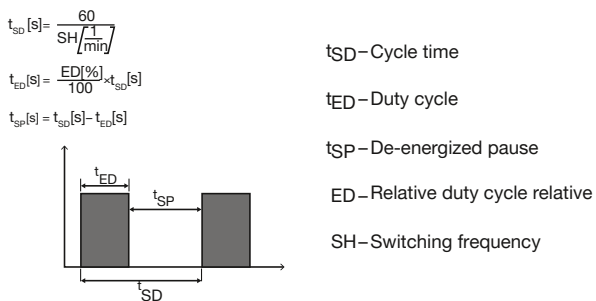
DTS 1000011017 EN Version: S Status: RL (released | freigegeben | valide) printed: 15.06.2020

5. Performance specifications

5.1. Temperature/duty cycle derating diagram for steam version NA07



5.2. Characteristic values of intermittent operation


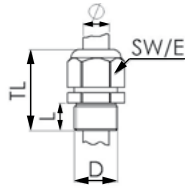

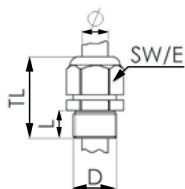


6. Product accessories

6.1. Cable glands for ATEX/IECEx terminal box

Note:

A cable gland in polyamide version is included in the delivery. A nickel-plated brass version can be ordered at a surcharge.

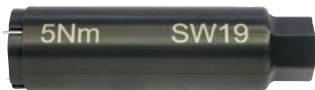
Description	Ex approvals		Dimensions										
	Certification	Identification											
Ex cable gland, Brass, nickelplated, 6...13 mm 	PTB 04 ATEX 1112 X, IECEx PTB 13.0027X	II 2 G Ex e IIC Gb, II 2 D Ex tb IIIC Db IP68	 <table border="1"> <tr><td>TL</td><td>29...37 mm</td></tr> <tr><td>L</td><td>6 mm</td></tr> <tr><td>D</td><td>20 mm</td></tr> <tr><td>SW</td><td>24 mm</td></tr> <tr><td>E</td><td>27 mm</td></tr> </table>	TL	29...37 mm	L	6 mm	D	20 mm	SW	24 mm	E	27 mm
TL	29...37 mm												
L	6 mm												
D	20 mm												
SW	24 mm												
E	27 mm												
Ex cable gland, Polyamide, 7...13 mm 	PTB 13 ATEX 1015 X, IECEx PTB 13.0034X	II 2 G Ex e IIC Gb, II 2 D Ex tb IIIC Db IP68	 <table border="1"> <tr><td>TL</td><td>36...45 mm</td></tr> <tr><td>L</td><td>10 mm</td></tr> <tr><td>D</td><td>20 mm</td></tr> <tr><td>SW</td><td>24 mm</td></tr> <tr><td>E</td><td>28 mm</td></tr> </table>	TL	36...45 mm	L	10 mm	D	20 mm	SW	24 mm	E	28 mm
TL	36...45 mm												
L	10 mm												
D	20 mm												
SW	24 mm												
E	28 mm												

6.2. Special tool to turn the junction box

Note:

- This special tool is not supplied with the valve (see “7.4. Ordering chart accessories” on page 22).

Set SC02-AC10



Set includes:

- Special wrench
- Service manual

7. Ordering information

7.1. Bürkert eShop – Easy ordering and quick delivery



Bürkert eShop – Easy ordering and fast delivery

You want to find your desired Bürkert product or spare part quickly and order directly? Our online shop is available for you 24/7. Sign up and enjoy all the benefits.

[Order online now](#)

7.2. Bürkert product filter



Bürkert product filter – Get quickly to the right product

You want to select products comfortably based on your technical requirements? Use the Bürkert product filter and find suitable articles for your application quickly and easily.

[Try out our product filter](#)

Type 5404

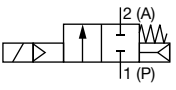
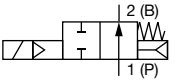
bürkert

7.3. Ordering chart

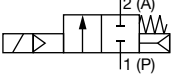
Standard version DN 12...DN 25

Note:

- Other versions are available on request.
- Please note that the cable plug has to be ordered separately, see “7.4. Ordering chart accessories” on page 22 or separate data sheet **Type 2518** ▶.

Circuit function	Port connection	Orifice	K _v value water	Pressure range for liquids	Pressure range for gases	Article no. per voltage/frequency [V/Hz]		
		[mm]	[m ³ /h]	[bar]	[bar]	024/DC	024/50	230/50
Seals PTFE+FKM								
A, solenoid valve 2/2 way servo-controlled, normally closed 	G ½	12	2.0	1...50	1...50	308501	177853	308502
	G ¾	20	7.0	1...25	1...32	308503	–	–
				1...25	1...40	–	308504	308505
	G 1	25	10.0	1...25	1...32	308506	–	–
1...25				1...40	–	308507	308508	
B, solenoid valve 2/2 way servo-controlled, normally open 	G ½	12	2.0	1...32	1...32	309022	301170	295636
	G ¾	20	7.0	1...25	1...25	303209	295276	295651
	G 1	25	10.0	1...25	1...25	295660	308120	301740

Standard version DN 32...DN 50

Circuit function	Port connection	Orifice	K _v value water	Pressure range for liquids	Pressure range for gases	Article no. per voltage/frequency [V/Hz]		
		[mm]	[m ³ /h]	[bar]	[bar]	024/DC	024/50	230/50
Seals PTFE+FKM								
A, solenoid valve 2/2 way servo-controlled, normally closed 	G 1¼	32	18.0	1...16	1...16	122579	–	–
				1...25	1...25	–	085337	085340
	G 1½	40	18.0	1...16	1...16	085343	–	–
				1...25	1...25	–	085342	085345
G 2	50	36.0	1...8	1...8	307475	–	–	
			1...20	1...20	–	307476	085350	

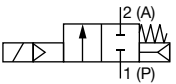



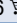







Type 5404

bürkert

Steam version NA07, DN 13...DN 25

Note:

- Please note that the cable plug has to be ordered separately, see “7.4. Ordering chart accessories” on page 22 or separate data sheet **Type 2518** ▶.
- Please also note the derating diagram, see “5.1. Temperature/duty cycle derating diagram for steam version NA07” on page 16.

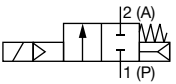

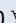

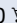
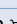
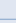
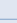
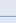

Circuit function	Port connection	Orifice [mm]	K _v value water [m ³ /h]	Pressure range [bar]	Body material	Article no. per voltage/frequency [V/Hz]		
						024/DC	024/50	230/50
Seals PTFE+Graphite								
A, solenoid valve 2/2 way servo-controlled, normally closed 	G 1/2	13	3.7	1...5	Brass	307267 	–	–
				1...12	Brass	–	307269 	307276 
	G 3/4	20	7.0	1...5	Brass	307286 	–	–
				1...12	Brass	–	307284 	307326 
	G 1	25	10.0	1...5	Brass	307342 	–	–
				1...12	Brass	–	307343 	307351 
Flange acc. to DIN EN 1902 - 1	25	10.0	1...5	Stainless steel	354392 	–	–	
			1...12	Stainless steel	–	X	354392 	

X: on request

Steam version NA07, DN 32...DN 40

Note:

- Please note that the cable plug has to be ordered separately, see “7.4. Ordering chart accessories” on page 22 or separate data sheet **Type 2518** ▶.
- Please also note the derating diagram, see “5.1. Temperature/duty cycle derating diagram for steam version NA07” on page 16.

Circuit function	Port connection	Orifice [mm]	K _v value water [m ³ /h]	Pressure range [bar]	Body material	Article no. nach Spannung/ Frequenz [V/Hz]		
						024/DC	024/50	230/50
Seals PTFE+Graphite								
A, solenoid valve 2/2 way servo-controlled, normally closed 	G 1 1/4	32	18.0	1...4	Brass	316584 	–	–
				1...12	Brass	–	316580 	316579 
	Flange acc. to DIN EN 1902 - 1	32	18.0	1...4	Stainless steel	X	–	–
				1...12	Stainless steel	–	X	363040 
	G 1 1/2	40	18.0	1...4	Brass	316592 	–	–
				1...12	Brass	–	316586 	316588 
Flange acc. to DIN EN 1902 - 1	40	18.0	1...4	Stainless steel	X	–	–	
			1...12	Stainless steel	–	370111 	363041 	

X: on request

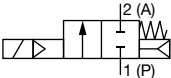
Type 5404

bürkert

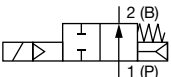
High pressure version MX13

Note:

- Please note that the cable plug has to be ordered separately, see “7.4. Ordering chart accessories” on page 22 or separate data sheet **Type 2518** ▶.
- High shut off levels may occur with liquids and high differential pressure!

Circuit function	Port connection	Orifice	K _v value water	Pressure range for liquids	Pressure range for gases	Article no. per voltage/frequency [V/Hz]		
		[mm]	[m ³ /h]	[bar]	[bar]	024/DC	024/50	230/50
Seals PTFE+FKM								
A, solenoid valve 2/2 way servo-controlled, normally closed 	G 1/2	12	2.0	1...80	1...80	304191	304193	304194

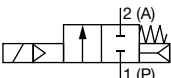
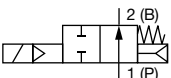
Discharge valve for compressor systems CF05

Circuit function	Port connection	Orifice	K _v value water	Pressure range for liquids	Pressure range for gases	Article no. per voltage/frequency [V/Hz]		
		[mm]	[m ³ /h]	[bar]	[bar]	024/DC	024/50	230/50
Seals PTFE+FKM								
B, solenoid valve 2/2 way servo-controlled, normally open 	G 1/2	12	2.0	1...40	1...40	301723	308781	308783

ATEX/IECEX version with 3-meter cable

Note:

The pressure values for liquid media are shown on the rating plate.

Circuit function	Port connection	Orifice	K _v value water	Pressure range for liquids	Pressure range for gases	Article no. per voltage/frequency	
		[mm]	[m ³ /h]	[bar]	[bar]	24 V AC/DC	230 V AC/DC
Seals PTFE+FKM							
A, solenoid valve 2/2 way servo-controlled, normally closed 	G 1/2	12	2.0	1...50	1...50	349290	349292
	G 3/4	20	7.0	1...25	1...32	349294	349296
	G 1	25	10.0	1...25	1...32	349300	349301
B, solenoid valve 2/2 way servo-controlled, normally open 	G 1/2	12	2.0	1...32	1...32	349302	349304
	G 3/4	20	7.0	1...25	1...25	349307	349309
	G 1	25	10.0	1...25	1...25	349310	349313

Visit product website ▶

20 | 23

Type 5404

bürkert

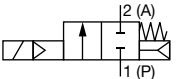

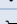
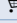

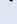
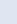
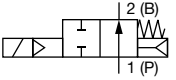

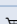
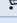

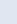
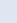
Explosions protected approvals

ATEX:	PTB 14 ATEX 2023 X II 2G Ex mb IIC T4 Gb II 2D Ex mb IIIC T130 °C Db	IECEX:	IECEX PTB 14.0049 X Ex mb IIC T4 Gb Ex mb IIIC T130 °C Db
-------	--	--------	---

ATEX/IECEX terminal box

Note:

- Please note that the cable plug has to be ordered separately, see “7.4. Ordering chart accessories” on page 22 or separate data sheet **Type 2513** ▶.
- The pressure values for liquid media are shown on the rating plate.

Circuit function	Port connection	Orifice	K _v value water	Pressure range for liquids	Pressure range for gases	Article no. per voltage/frequency	
		[mm]	[m ³ /h]	[bar]	[bar]	24 V AC/DC	230 V AC/DC
Seals PTFE+FKM							
A, solenoid valve 2/2 way servo-controlled, normally closed 	G 1/2	12	2.0	1...50	1...50	349289 	349293 
	G 3/4	20	7.0	1...25	1...32	349295 	349297 
	G 1	25	10.0	1...25	1...32	349299 	349297 
B, solenoid valve 2/2 way servo-controlled, normally open 	G 1/2	12	2.0	1...32	1...32	349303 	349305 
	G 3/4	20	7.0	1...25	1...25	349306 	349308 
	G 1	25	10.0	1...25	1...25	349311 	349312 

Explosions protected approvals

ATEX:	PTB 15 ATEX 1011U	IECEX:	PTB 15.0037U
-------	-------------------	--------	--------------

Further versions on request



Approvals

UL, cURus for coil system, Hazardous Locations
Expl. proof, EEx m/ed, versions for oxygen applications



Voltage

110/50, non-standard voltages


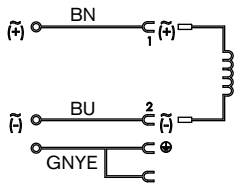
Type 5404

7.4. Ordering chart accessories

Cable plug Type 2513, form A acc. to DIN EN 175301-803

Note:

- The Cable plug Type 2513 meets the requirements of ATEX category 3 GD.
- For more information on the cable plug, see data sheet **Type 2513** ▶.

Cable plug	circuit diagram	Cable length [mm]	Article no.
		12000	260893
		5000	260892
		3000	260891
		300	260890

Accessories for ATEX/IECEx terminal box

Note:

- A cable gland in polyamide version is included in the delivery. A nickel-plated brass version can be ordered at surcharge.
- For more information on Ex cable glands, see “6.1. Cable glands for ATEX/IECEx terminal box” on page 16.

Description	Article no.
Ex cable gland, brass, nickel-plated, 6...13 mm ^{1.)}	773278
Ex cable gland, polyamide, 7...13 mm ^{1.)}	773277
Set SC02-AC10: Special wrench ^{2.)} incl. service manual	293488

1.) Cable diameter

2.) Not included in the scope of delivery of the valve

Bürkert – Close to You

For up-to-date addresses
please visit us at
www.burkert.com

DTS 1000011017 EN Version: S Status: RL (released | freigegeben | validé) printed: 15.06.2020



Credits, © and concept: Christian Bürkert GmbH & Co. KG | Photographs: Marc Eggimann Fotografie - 4051 Basel | Scanner GmbH - Werbeagentur Künzelsau - 74653 Künzelsau



SCATTERGOOD & JOHNSON LTD

ELECTRICAL ENGINEERING & FLUID CONTROL DISTRIBUTORS

Est.1899

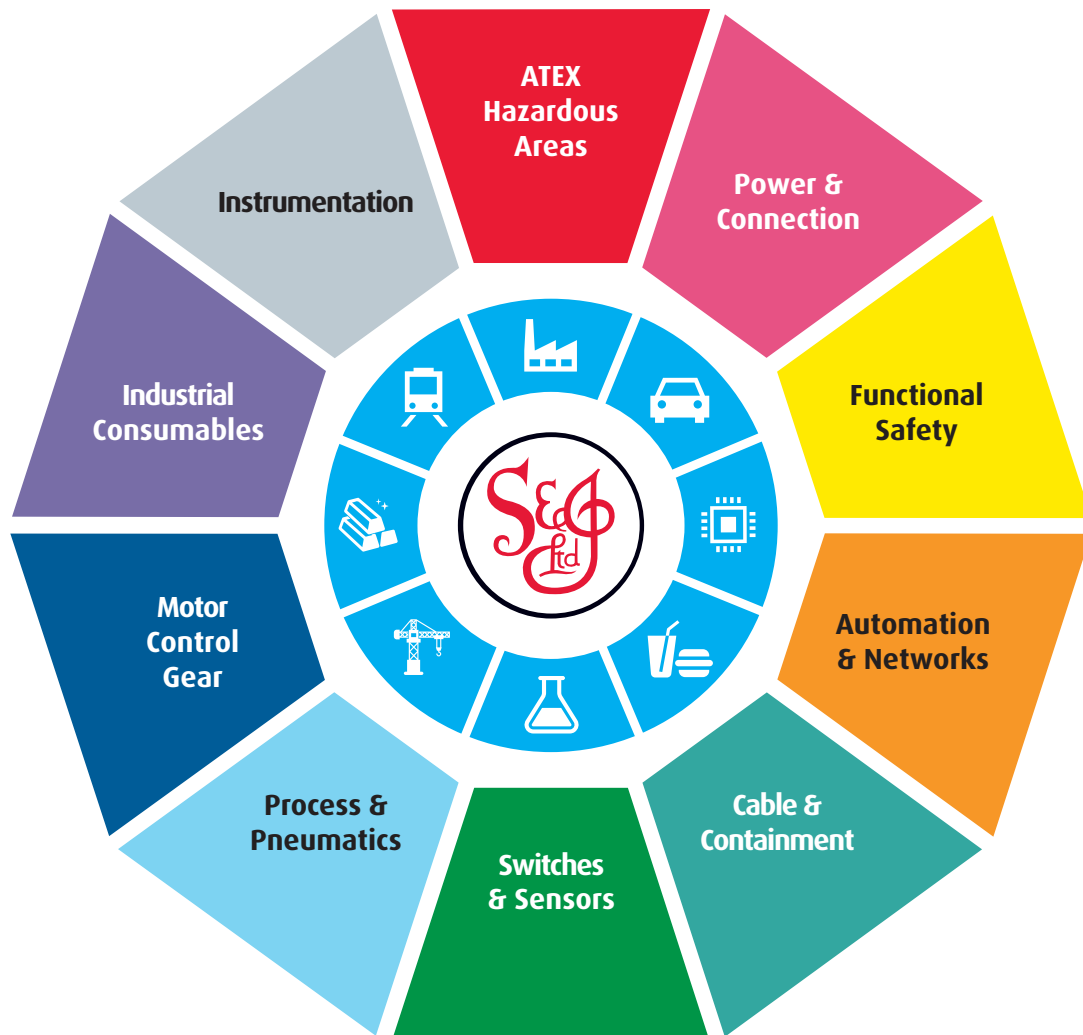
At Scattergood & Johnson Ltd, we pride ourselves on being a technical distributor to specialist industries.

Working with a range of quality product suppliers across a number of specialist markets, we are not your average 'box shifter' - we are your technical and supply chain partner.

We fully support every product we sell - for free! Our internal team and external sales engineers can answer any product or application question, no matter the complexity.

Backing up this technical ability is a range of 50,000+ products available from stock for nationwide next day delivery (same day if required!), or you can collect what you need from any of our trade counters around the UK.

Select your specialist interest below to learn more about how we can help.



Online, In Branch and On the Road - Scattergood & Johnson Ltd, there when you need us.

www.scatts.co.uk