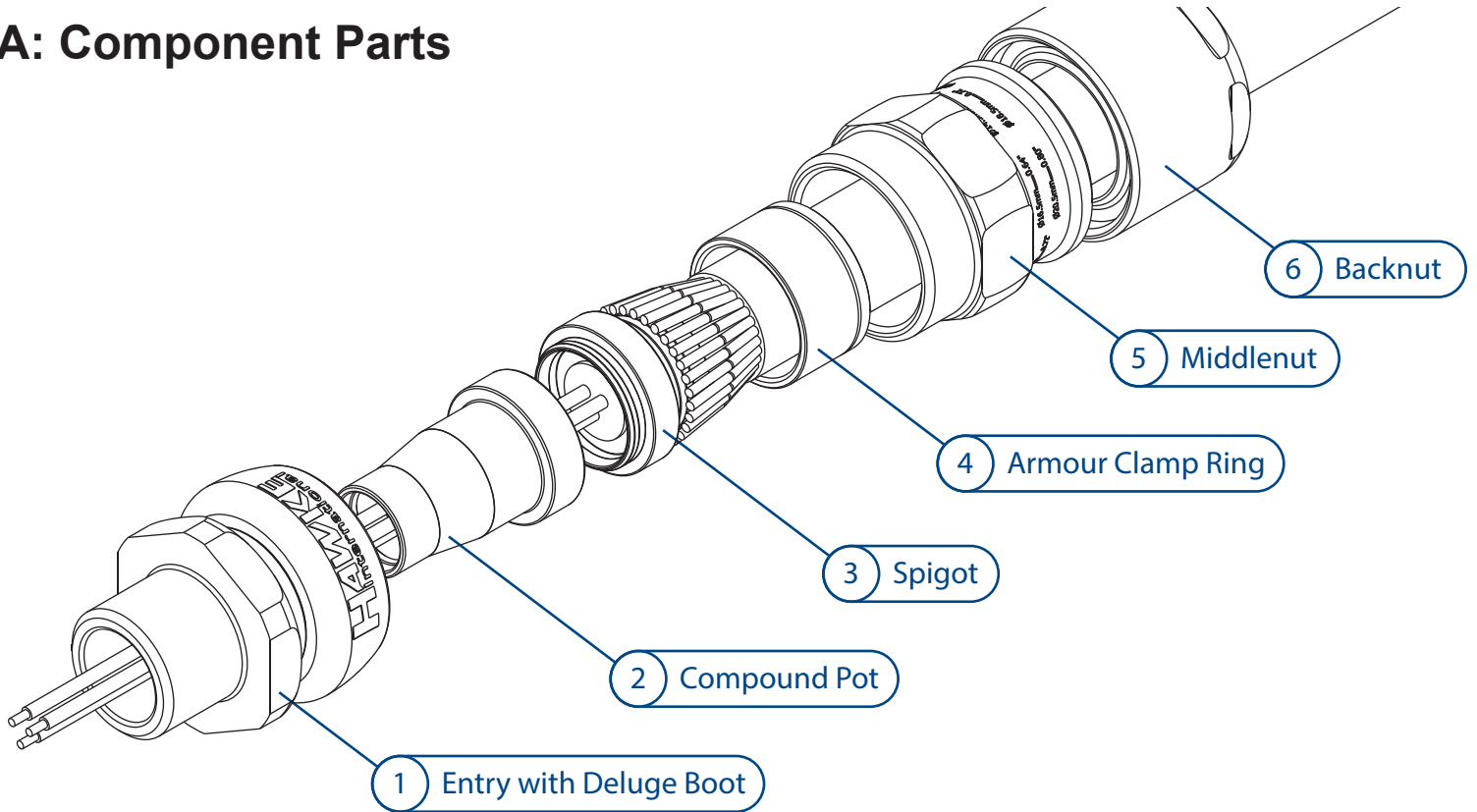
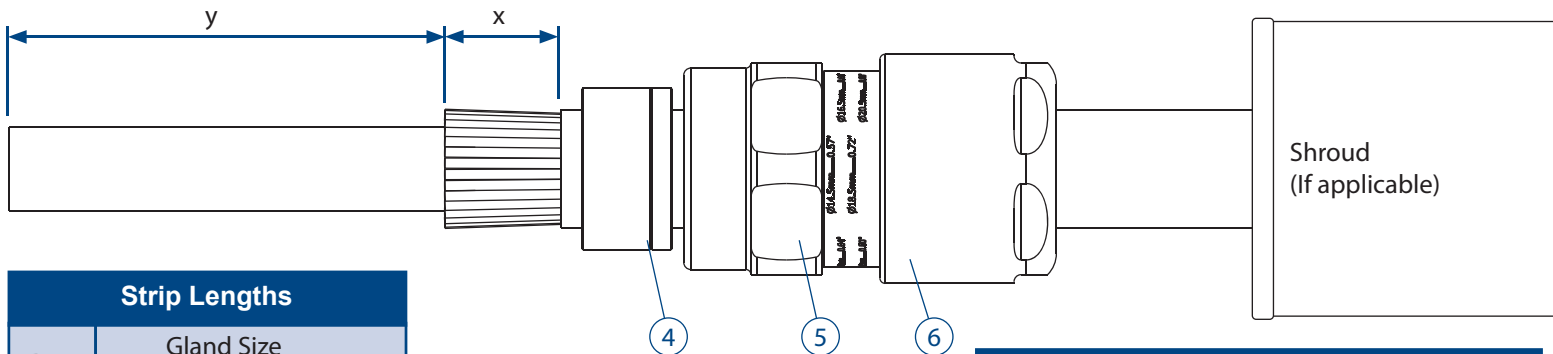


### A: Component Parts



### B: Cable Preparation

Slide shroud (if included), backnut ⑥, middlenut ⑤ and armour clamp ring ④ onto cable. Confirm orientation of armour clamp ring is correct (see table below). Cut cable length, strip outer sheath and cut armour to lengths as shown in table below. For preparation of Drain Wires see separate AI2028. If an inner sheath is not present and using Express Resin, use electrical tape wrapped around the base of the cores to create a suitable sealing surface.



Strip Lengths			
Dim	Gland Size		
	Os-A	B-C2	D-F
x	20mm	25mm	32mm
y	To suit equipment		

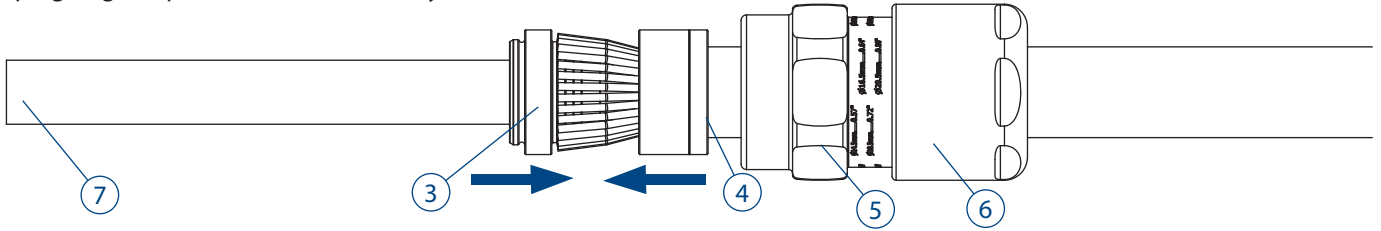
Armour Clamp Ring Orientation		
Gland Size	Orientation	
	Equipment Side	Equipment Side
Os-A		
B	0.8 - 1.25mm	0 - 0.8mm
B-C2	1.25 - 1.6mm	0 - 0.7mm
C-C2	1.6 - 2.0mm	0 - 0.7mm
D-F	1.8 - 2.5mm	0 - 1.0mm

**Tape Armour**  
After tape is spread, ensure ends are trimmed at 90° as shown

# C: Installing Cable Gland

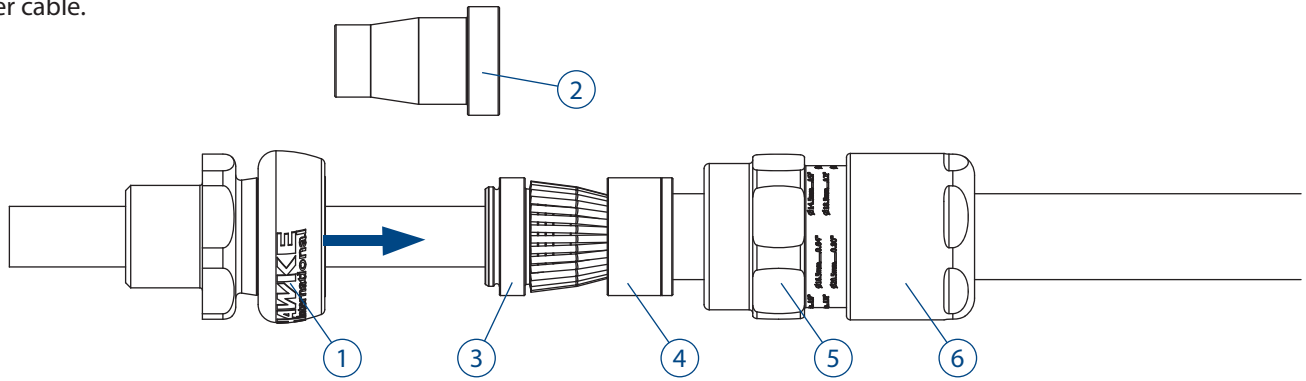
## STEP 1: Fit Armour To Spigot

Check cut end of cable inner sheath for any sharp edges ⑦. If necessary clean up with a knife or apply electrical tape to smooth corners.  
 Slide spigot ③ over cable taking care not to damage rubber resin dam.  
 Push armour/braid up to spigot shoulder.  
 Slide clamping ring ④ up to the armour/braid by hand.



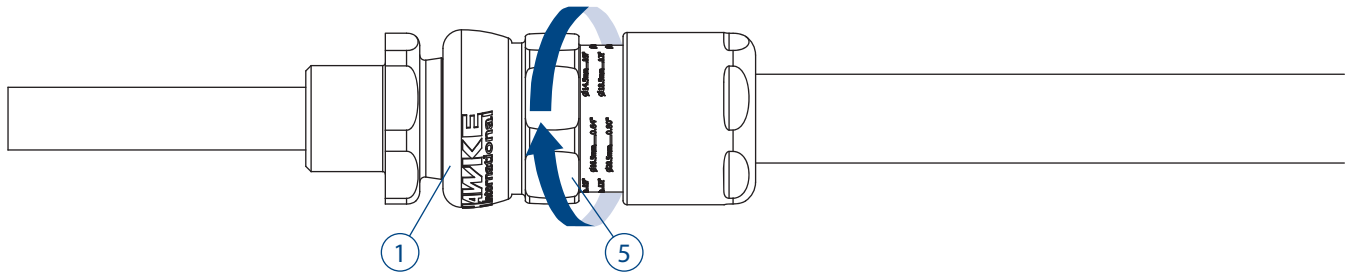
## STEP 2: Prepare to Clamp Armour/Braid

Ensure compound pot ② is removed from assembly.  
 Slide Entry ① over cable.



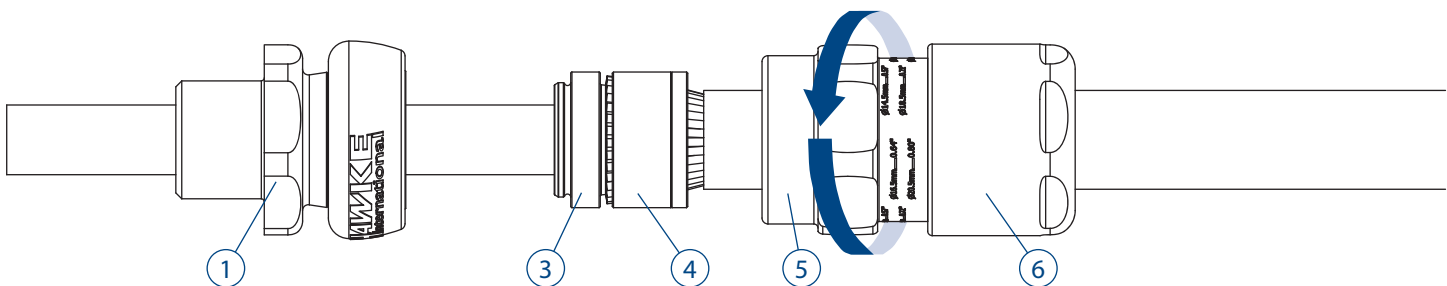
## STEP 3: Clamp Armour/Braid

Slide middle nut ⑤ up to entry and hand tighten.  
 Grip the entry ① with a spanner/wrench.  
 Use a second spanner/wrench to tighten half to three quarters of a turn.



## STEP 4: Inspect Armour/Braid

Unscrew the middle nut ⑤. The armour clamp ring ④ should now be locked in place.  
 Visually inspect that the armour/braid has been successfully clamped between the spigot ③ and the armour clamp ring ④.  
 If clamping is not satisfactory, repeat step 3.

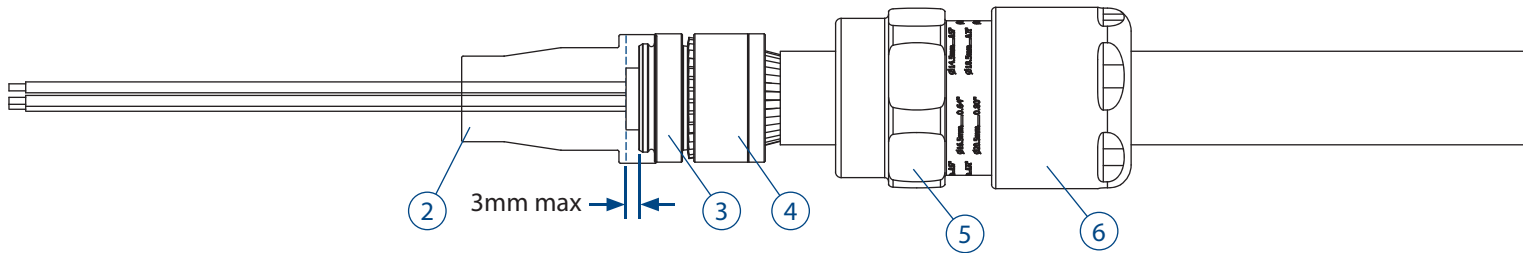


**STEP 5: Strip Inner sheath to expose cores**

Strip inner sheath back to between flush and 3mm from end of spigot ③, taking care not to damage resin dam.

Ensure the inner sheath protrudes through the resin dam.

Fit the pot ② and check that the inner sheath is below the height of the pot shoulder as shown below.



**STEP 6: Pot gland with compound**

Gland assembly is now ready for compound. Refer to the correct instructions depending on compound type. These instructions are supplied with the compound.

**HAWKESEAL**

2-Part Epoxy Putty  
See AI 2034



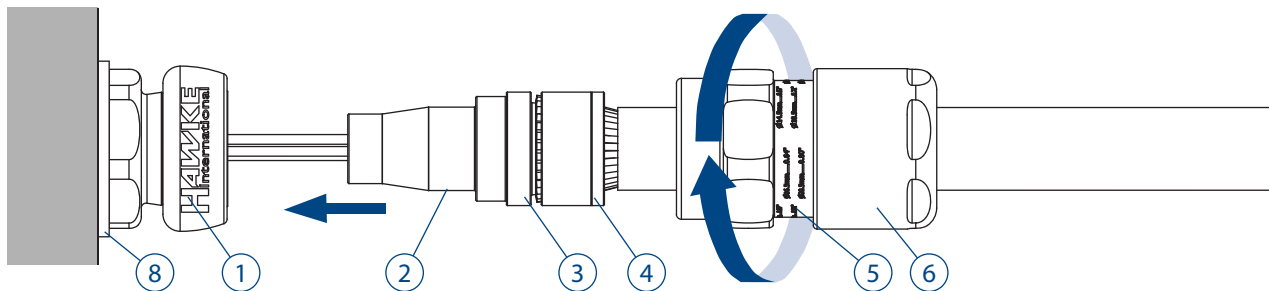
2-Part Pouring Epoxy Resin  
See AI 2035

**STEP 7: Fit to Enclosure**

Now potting the gland is complete, use a wrench to fit entry ① into enclosure. If required, use the appropriate IP washer ⑧.

Slide cable through entry ① until pot ② is seated in the entry.

Hand tighten the middlenut ⑤ to entry and add 1/5 - 1/4 turn with a wrench.

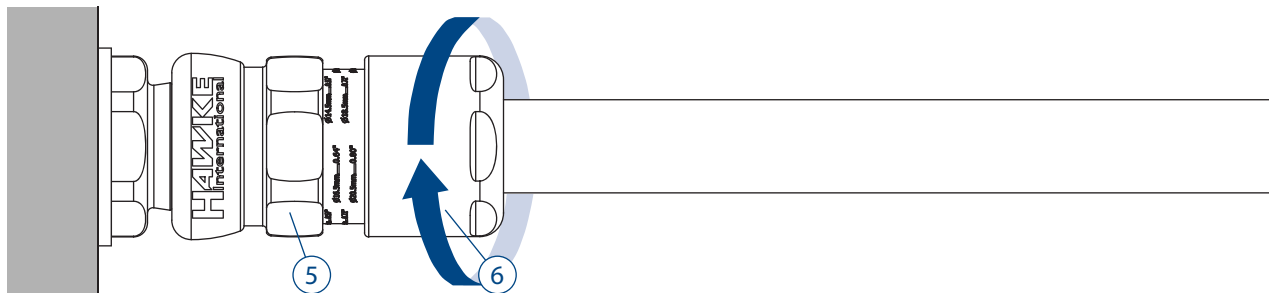


**STEP 8: Install Backnut**

Tighten the backnut ⑥ until a seal is formed around the cable.

Use a wrench/spanner to grip the middlenut ⑤.

While preventing the middlenut ⑤ turning, use a second wrench to apply one further full turn to the backnut ⑥.

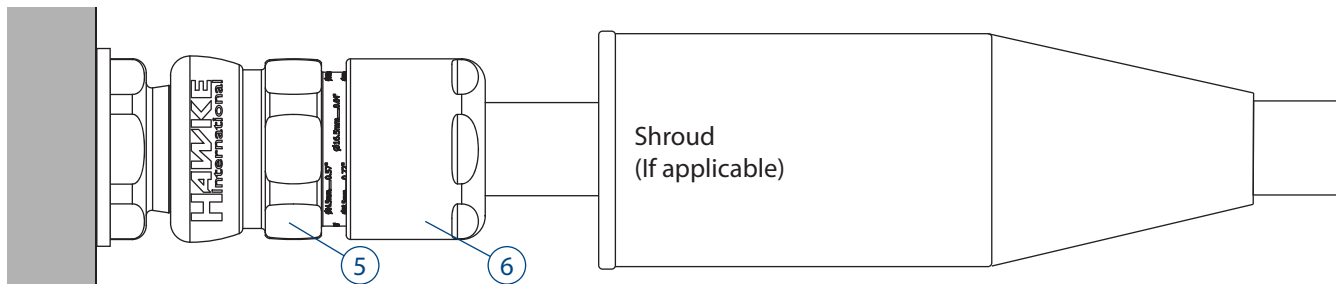


**STEP 9: Inspect Backnut**

Use the middlenut ⑤ guide as an indication that the backnut ⑥ is in the correct position to suit cable diameter.

A diameter scale below is provided to assist in this process.

Slide shroud over cable gland if applicable.



# Technical Information

# ICG 653 UNIV X



## TECHNICAL DATA

**Cable Gland Type:** ICG 653 UNIV X  
**Equipment Type:** Group II Barrier Cable Glands  
**Ingress Protection:** IP66, IP67, IP68\*, IP69, NEMA 4X  
 \*30m for 7 days with thread sealant;  
 10m for 24hrs no thread sealant, Os-C size only  
**Operating Temp:** -60°C to +80°C

## CERTIFICATION DETAILS

Ex db IIC Gb / Ex eb IIC Gb / Ex tb IIIC Db  
 ATEX: CML18ATEX1268X  
 IECEx: CML18.0131X

## INSTALLATION NOTES

- All cable glands must be installed by a suitably trained and competent individual.
- Entry threads are in accordance with Metric BS3643 or NPT B1.20.1
- Installer must check material compatibility with enclosure and environment.
- To maintain IP66/IP67/IP69, Hawke certified sealing washer or other approved sealing method must be used.
- Sealing face surface must be smooth and free from damage
- Wall thicknesses depended on thread length or retention type (locknut etc). Exd must maintain the requirements of IEC/EN 60079-1
- All entries must be installed perpendicular to the mounting surface.

## ACCESSORIES

Hawke offer the following accessories to enable correct sealing and ground of cable gland.

- Shroud:** For additional corrosion protection  
**Locknut:** To secure gland into position  
**Sealing Washer:** For additional ingress protection  
**Earth Tag:** For external bonding point  
**Serrated Washer:** To prevent vibration loosening locknuts

## SCHEDULE OF LIMITATIONS

- When the gland is used for increased safety, the entry thread shall be suitably sealed to maintain the ingress protection rating of the associated enclosure.
- Compound cross section must be minimum 20% of total area over a depth of 20mm

## TORQUE VALUES

All torque values below were generated on metallic mandrels. For cable, it is recommended that the assembly instructions are followed.

Torque Figures N/m									
Gland Size	Os	O	A	B	C	C2	D	E	F
Middlenut Torque	6	6	8	8	10	15	15	28	35
Backnut Torque	12	12	20	30	35	45	56	60	75

## CABLE GLAND SELECTION TABLE

Size Ref.	Entry Thread Size		Cable Acceptance Details								Max Length	Hexagon Dimensions	
			Inner Sheath	Cores		Outer Sheath		Steel Wire Armour/ Tape/Braid		Across Flats		Across Corners	
	Metric	NPT		Max. Dia	Max. Over Cores	ATEX Max. No. of Cores	Max .No. Fibre Optic	Min.	Max.				Orientation 1
Os	M20	½"	8.1	8.0	12	48	5.5	12.0	0.8/1.25	0/0.8	72.5	24.0	26.5
O	M20	½"	11.7	8.8	12	48	9.5	16.0	0.8/1.25	0/0.8	72.5	24.0	26.5
A	M20	½" - ¾"	14.0	10.8	15	72	12.5	20.5	0.8/1.25	0/0.8	76.3	30.0	32.5
B	M25	¾" - 1"	19.9	15.9	30	144	16.9	26.0	1.25/1.6	0/0.7	81.9	36.0	39.5
C	M32	1" - 1¼"	26.2	21.9	42	-	22.0	33.0	1.6/2.0	0/0.7	89.0	46.0	50.5
C2	M40	1¼" - 1½"	32.3	26.7	60	-	28.0	41.0	1.6/2.0	0/0.7	96.4	55.0	60.6
D	M50	2"	44.2	37.7	80	-	36.0	52.6	1.8/2.5	0/1.0	122.5	65.0	70.8
E	M63	2½"	56.0	49.0	100	-	46.0	65.3	1.8/2.5	0/1.0	118.6	80.0	88.0
F	M75	3"	68.0	59.8	120	-	57.0	78.0	1.8/2.5	0/1.0	126.3	95.0	104.0

### EU Declaration of Conformity in accordance with European Directive 2014/34/EU

#### Provisions of the Directive fulfilled by the Equipment:

Group II Category 2GD Ex eb IIC Gb, Ex db IIC Gb, Ex tb IIIC Db - IP66

**Notified Body for EU-Type Examination:** CML 2776 Chester UK

**EU-type Examination Certificate:** CML18ATEX1268X

**Notified Body for production:** SGS-Baseefa 1180 Buxton UK

**Harmonised Standards used:** EN 60079-0:2018, EN60079-1:2014, EN60079-7:2015, EN60079-31:2014

On behalf of the aforementioned company, I declare that, on the date the equipment accompanied by this declaration is placed on the market, the equipment conforms with all technical and regulatory requirements of the above listed directives.

A. Tindall  
 Technical Manager



# SCATTERGOOD & JOHNSON LTD

ELECTRICAL ENGINEERING & FLUID CONTROL DISTRIBUTORS

Est.1899

At Scattergood & Johnson Ltd, we pride ourselves on being a technical distributor to specialist industries.

Working with a range of quality product suppliers across a number of specialist markets, we are not your average 'box shifter' - we are your technical and supply chain partner.

We fully support every product we sell - for free! Our internal team and external sales engineers can answer any product or application question, no matter the complexity.

Backing up this technical ability is a range of 50,000+ products available from stock for nationwide next day delivery (same day if required!), or you can collect what you need from any of our trade counters around the UK.

Select your specialist interest below to learn more about how we can help.



Online, In Branch and On the Road - Scattergood & Johnson Ltd, there when you need us.

# [www.scatts.co.uk](http://www.scatts.co.uk)