

Ambient temperature referencing source



Key features:

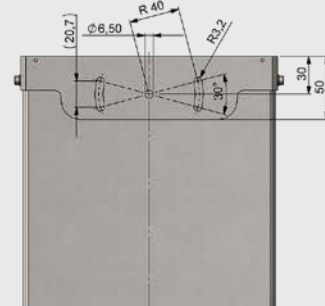
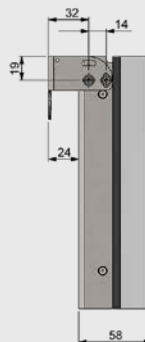
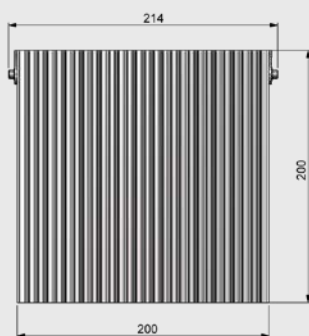
- Reference radiator with high emissivity ideal for IR camera based fever screening applications
- Integrated 16-bit digital temperature sensor with 0.1 °C accuracy
- Mounting bracket – adjustable for either ceiling or wall mounting
- Plug-and-play installation with 20 m cable and PI 450i suitable PIF-connector

Technical Specifications

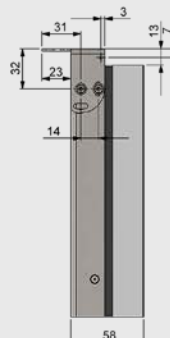
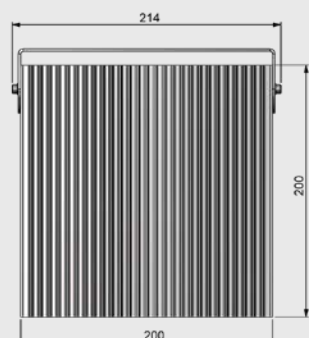
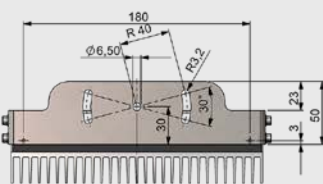
Dedicated temperature range	18 °C ... 33 °C
Emissivity	0.95 +/-0.02 (for 8 - 14 μm)
Temperature probe (integrated)	Digital 16-bit temperature sensor
Accuracy of temperature probe	+/-0.1 °C (25 °C ... 50 °C) / drift: 0.0073 °C
Accuracy of PI 450i with BR 20AR (T _{Amb} 18 °C ... 33 °C)	+/-0.5 °C (T _{Obj} 30 °C ... 40 °C)
Interface	5-pin connector fitting to PIF-connector of PI 450i cameras
Dimensions	20 cm x 20 cm 8.2 cm
Weight (with mounting bracket/without cable)	2.5 kg
Scope of supply	<ul style="list-style-type: none"> • BR 20AR radiator • 20 m cable with PIF connector • mounting bracket • operator's manual

Dimensions (in mm)

optris BR 20AR radiator
with bracket for wall mount

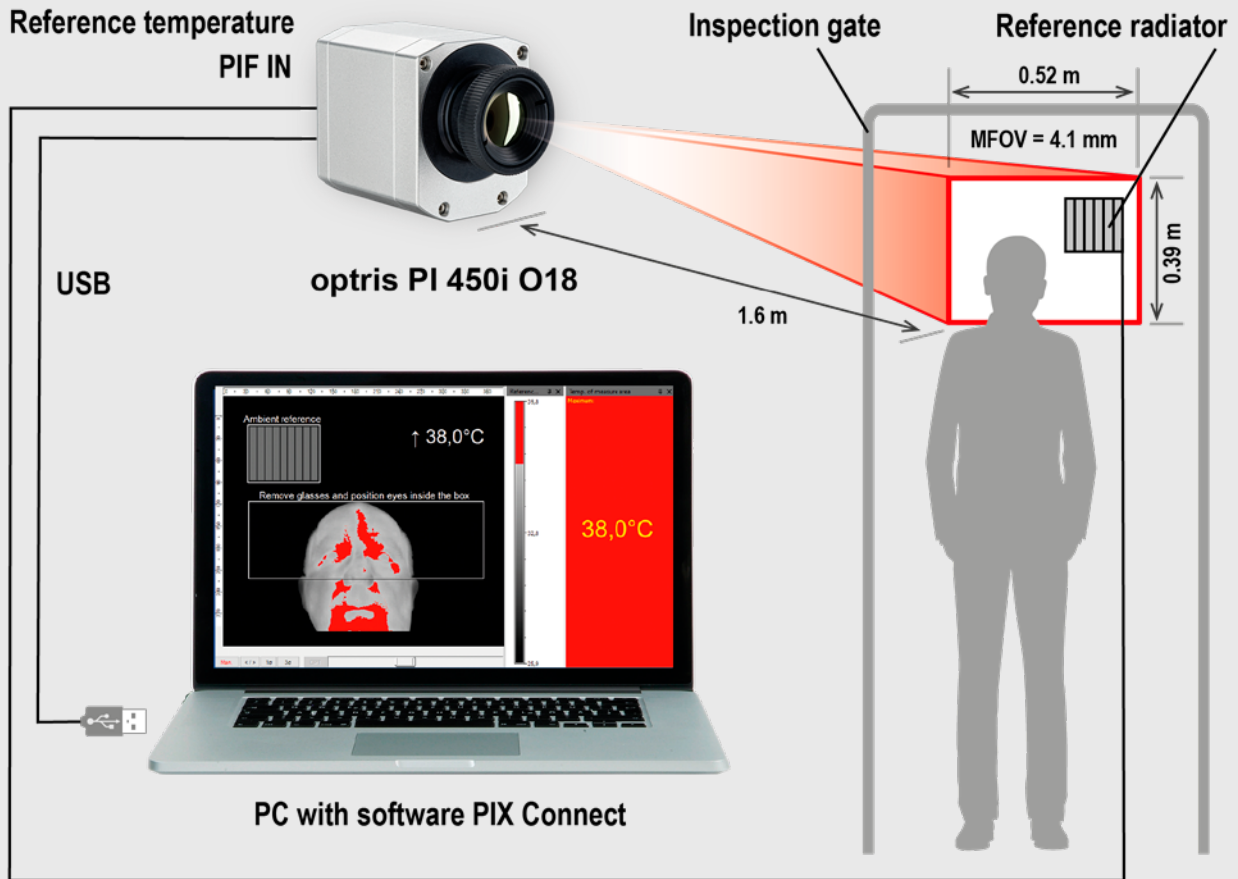


optris BR 20AR radiator
with bracket for ceiling mount

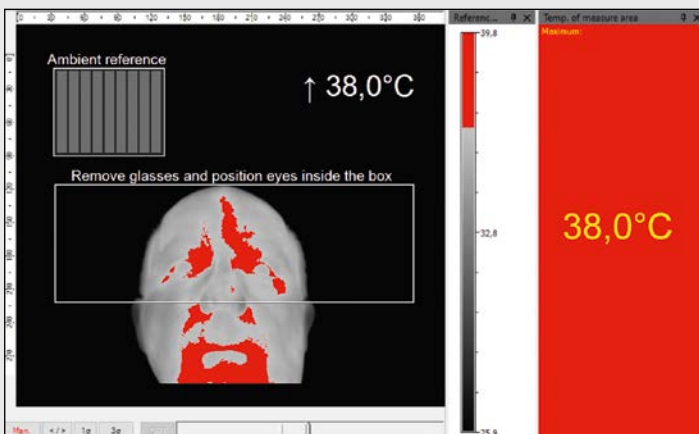


optris BR 20AR

Installation of PI 450i and BR 20AR at an inspection gate for individual fever screening



Absolute temperature measurement accuracy



The PIX Connect software is referencing the entire IR image to the known temperature of the Ambient reference which is placed inside the FOV.

To improve the specified camera accuracy of the PI 450i T010 camera a reference source with a high emissivity and a stable and known temperature must be positioned in the scene proximate to the subject to be scanned.

The BR 20AR Ambient referencing source is equipped with a temperature probe with **+/- 0.1 °C** accuracy.

By integrating this highly accurate reference signal to our PIX Connect software, we can reduce camera uncertainties resulting from device adjustment, ambient temperature drift and short term stability down to a system accuracy of **+/- 0.5 °C**.



SCATTERGOOD & JOHNSON LTD

ELECTRICAL ENGINEERING & FLUID CONTROL DISTRIBUTORS

Est.1899

At Scattergood & Johnson Ltd, we pride ourselves on being a technical distributor to specialist industries.

Working with a range of quality product suppliers across a number of specialist markets, we are not your average 'box shifter' - we are your technical and supply chain partner.

We fully support every product we sell - for free! Our internal team and external sales engineers can answer any product or application question, no matter the complexity.

Backing up this technical ability is a range of 50,000+ products available from stock for nationwide next day delivery (same day if required!), or you can collect what you need from any of our trade counters around the UK.

Select your specialist interest below to learn more about how we can help.



Online, In Branch and On the Road - Scattergood & Johnson Ltd, there when you need us.

www.scatts.co.uk