

# TAMPER-PROOF DUAL THERMOSTAT (PRE-SET)

## FTD 011



- > NO and NC in one casing
- > High switching accuracy
- > Default temperature settings
- > Clip fixing

Two thermostats in one casing:

**Tamper-proof (Pre-set) Thermostat/Contact breaker (NC)** for regulating heaters or for switching signal devices when temperature has fallen below the minimum value. The contact opens when temperature is rising.

**Tamper-proof (Pre-set) Thermostat/Contact maker (NO)** for regulating filter fans, heat exchangers or for switching signal devices when temperature limit has been exceeded. The contact closes when temperature is rising.

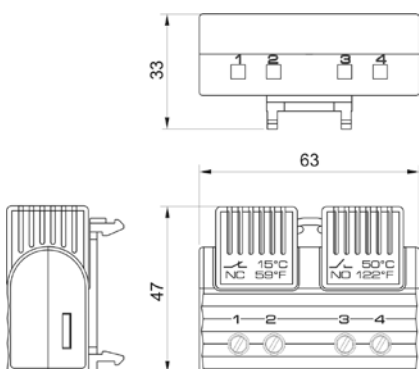
Heaters and cooling equipment can be switched independently from each other with a temperature offset as opposed to the usual change-over contacts.



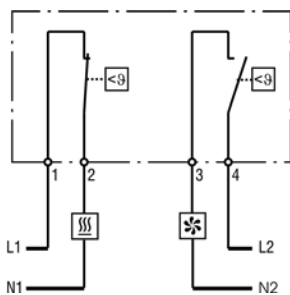
### TECHNICAL DATA

Sensor element	thermostatic bimetal
Contact type	snap-action contact
Service life	> 100,000 cycles
Max. switching capacity	AC 250 V, 5 (1.6) A / AC 120 V, 10 (2) A DC 30 W
Max. inrush current	AC 16 A for 10 sec.
Connection	4-pole terminal, clamping torque 0.8 Nm max.: rigid wire 2.5 mm <sup>2</sup> (AWG 14) stranded wire <sup>1</sup> 1.5 mm <sup>2</sup> (AWG 16)
Mounting	clip for 35 mm DIN rail, EN 60715
Casing	plastic according to UL94 V-0, light grey
Dimensions	47 x 63 x 33 mm
Weight	approx. 40 g
Fitting position	variable
Operating/Storage temperature	-40 to +80 °C (-40 to +176 °F) / -45 to +80 °C (-49 to +176 °F)
Operating/Storage humidity	max. 90 % RH (non-condensing)
Protection type	IP20
Approvals	VDE, UL File No. E164102, EAC

<sup>1</sup> When connecting with stranded wires, wire end ferrules must be used.

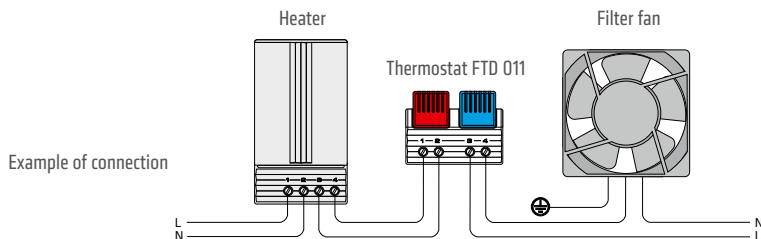


Thermostat FTD 011 (NC/NO)



Connection diagram

- Heater
- Filter fan, Cooling equipment, Signal device



Art. No.	Contact breaker (NC)		Contact maker (NO)	
	Switch-off temperature	Switch-on temperature	Switch-on temperature	Switch-off temperature
01163.0-00	+15 °C / +59 °F (±5 K tolerance)	+5 °C / +41 °F (±5 K tolerance)	+50 °C / +122 °F (±7 K tolerance)	+40 °C / +104 °F (±6 K tolerance)
01163.0-01	+25 °C / +77 °F (±5 K tolerance)	+15 °C / +59 °F (±5 K tolerance)	+60 °C / +140 °F (±7 K tolerance)	+50 °C / +122 °F (±7 K tolerance)
01163.0-02	+15 °C / +59 °F (±5 K tolerance)	+5 °C / +41 °F (±5 K tolerance)	+35 °C / +95 °F (±7 K tolerance)	+25 °C / +77 °F (±6 K tolerance)
01163.0-03	+25 °C / +77 °F (±5 K tolerance)	+15 °C / +59 °F (±5 K tolerance)	+50 °C / +122 °F (±7 K tolerance)	+40 °C / +104 °F (±6 K tolerance)

Art. No.	Contact maker (NO)		Contact maker (NO)	
	Switch-on temperature	Switch-off temperature	Switch-on temperature	Switch-off temperature
01164.0-00	+50 °C / +122 °F (±7 K tolerance)	+40 °C / +104 °F (±6 K tolerance)	+60 °C / +140 °F (±7 K tolerance)	+50 °C / +122 °F (±7 K tolerance)

Note: Other switch-off and switch-on temperatures on request.



# SCATTERGOOD & JOHNSON LTD

ELECTRICAL ENGINEERING & FLUID CONTROL DISTRIBUTORS

Est.1899

At Scattergood & Johnson Ltd, we pride ourselves on being a technical distributor to specialist industries.

Working with a range of quality product suppliers across a number of specialist markets, we are not your average 'box shifter' - we are your technical and supply chain partner.

We fully support every product we sell - for free! Our internal team and external sales engineers can answer any product or application question, no matter the complexity.

Backing up this technical ability is a range of 50,000+ products available from stock for nationwide next day delivery (same day if required!), or you can collect what you need from any of our trade counters around the UK.

Select your specialist interest below to learn more about how we can help.



Online, In Branch and On the Road - Scattergood & Johnson Ltd, there when you need us.

# [www.scatts.co.uk](http://www.scatts.co.uk)