

SMALL COMPACT THERMOSTAT

KTO 011 / KTS 011



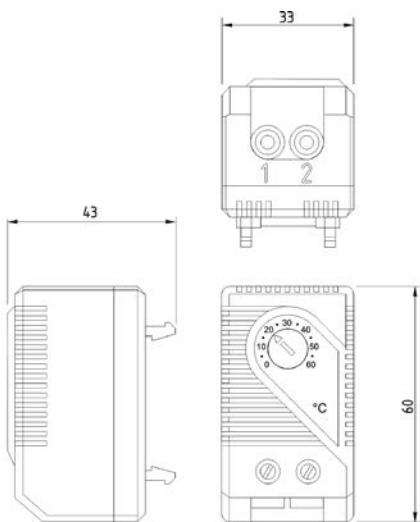
- > Large setting range
- > Small size

- > Simple to mount
- > High switching performance

The mechanical thermostats KTO 011 and KTS 011 are two state regulators used to control heaters, coolers, filter fans or signal devices.

KTO 011: Thermostat (NC); contact breaker for regulating heaters. The contact opens when temperature is rising.

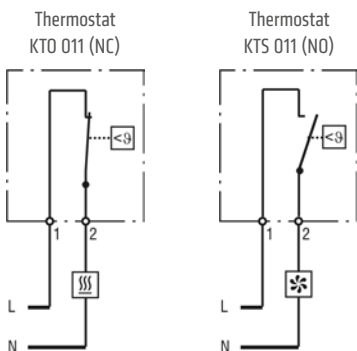
KTS 011: Thermostat (NO); contact maker for regulating of filter fans and heat exchangers or for switching signal devices when temperature limit has been exceeded. The contact closes when temperature is rising.



TECHNICAL DATA

Switch temperature difference	7 K (±4 K tolerance)
Sensor element	thermostatic bimetal
Contact type	snap-action contact
Service life	> 100,000 cycles
Max. operating voltage	AC 250 V (VDE) AC 120 V (UL)
Max. inrush current	AC 16 A for 10 sec.
Connection	2-pole terminal, clamping torque 0.5 Nm max.: rigid wire 2.5 mm ² (AWG 14) stranded wire ¹ 1.5 mm ² (AWG 16)
Mounting	clip for 35 mm DIN rail, EN 60715
Casing	plastic according to UL94 V-0, light grey
Dimensions	60 x 33 x 43 mm
Weight	approx. 40 g
Fitting position	variable
Operating/Storage temperature	-45 to +80 °C (-49 to +176 °F)
Operating/Storage humidity	max. 90 % RH (non-condensing)
Protection type	IP20

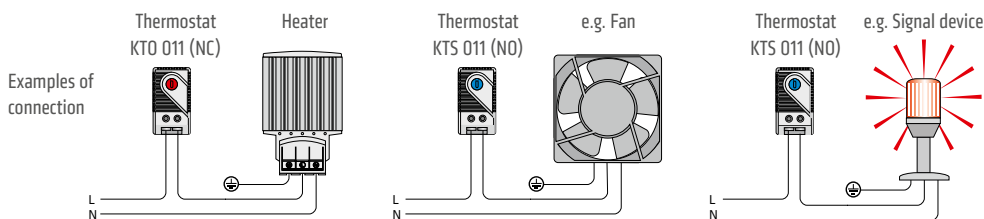
Connection diagrams



- Heater
- Filter fan, Cooling equipment, Signal device

¹ When connecting with wires, wire end ferrules must be used.

Important note: The contact system of the regulator is subjected to environmental influences, thus the contact resistance may change. This can lead to a voltage drop and/or self-heating of the contacts.



Setting range	Art. No. Contact breaker (NC)	Art. No. Contact maker (NO)	Switching current/capacity max.			Approvals		
			AC 250 V	AC 120 V	DC 24 - 72 V			
0 to +60 °C	01140.0-00	01141.0-00	10 (2) A	15 (2) A	30 W	VDE	-	EAC
-10 to +50 °C	01142.0-00	01143.0-00	10 (2) A	15 (2) A	30 W	VDE	UL File No. E164102	-
+20 to +80 °C	01159.0-00	01158.0-00	3 (2) A	3 (2) A	30 W	VDE	UL File No. E164102	CSA
+32 to +140 °F	01140.9-00	01141.9-00	10 (2) A	15 (2) A	30 W	VDE	UL File No. E164102	CSA
+14 to +122 °F	01142.9-00	01143.9-00	10 (2) A	15 (2) A	30 W	VDE	UL File No. E164102	CSA
0 to +60 °C	01146.9-00	01147.9-00	10 (2) A	15 (2) A	30 W	VDE	UL File No. E164102	CSA



SCATTERGOOD & JOHNSON LTD

ELECTRICAL ENGINEERING & FLUID CONTROL DISTRIBUTORS

Est.1899

At Scattergood & Johnson Ltd, we pride ourselves on being a technical distributor to specialist industries.

Working with a range of quality product suppliers across a number of specialist markets, we are not your average 'box shifter' - we are your technical and supply chain partner.

We fully support every product we sell - for free! Our internal team and external sales engineers can answer any product or application question, no matter the complexity.

Backing up this technical ability is a range of 50,000+ products available from stock for nationwide next day delivery (same day if required!), or you can collect what you need from any of our trade counters around the UK.

Select your specialist interest below to learn more about how we can help.



Online, In Branch and On the Road - Scattergood & Johnson Ltd, there when you need us.

www.scatts.co.uk