

# SMALL SEMICONDUCTOR HEATER

RC 016 | 8 W, 10 W, 13 W



- > Wide voltage range
- > Dynamic heating up

- > Energy saving
- > Compact

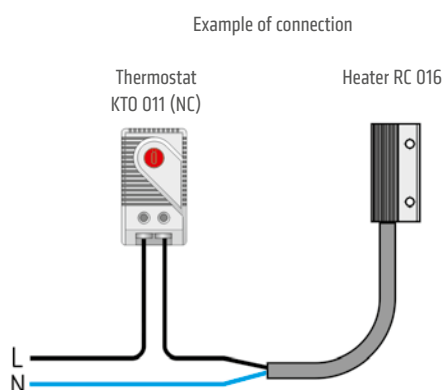
These small heaters are designed to prevent condensation and to ensure a minimum operating temperature in small enclosures. The heaters are designed for permanent operation.



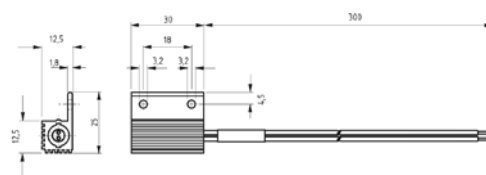
## TECHNICAL DATA

Operating voltage	AC/DC 120 – 240 V <sup>1</sup> (min. 110 V, max. 265 V)
Heating element	PTC resistor – temperature limiting
Heater body	aluminium, anodised
Mounting	screw fixing
Fitting position	variable
Operating/Storage temperature	-45 to +70 °C (-49 to +158 °F)
Operating/Storage humidity	max. 90 % RH (non-condensing)
Protection type/Protection class	IP54 / II (double insulated)
Approvals	VDE, UL File No. E150057 (according to UL 508A, NITW File on request), EAC
Note	other voltages on request

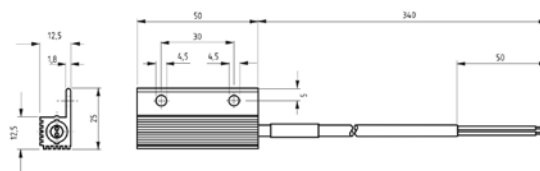
<sup>1</sup> Operating with voltages below AC/DC 140 V reduces heating performance by approx. 10 %.



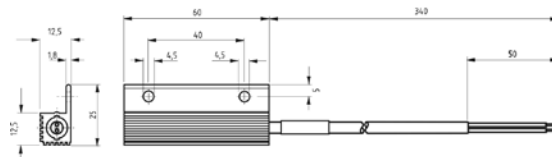
Art. No. 01602.0-00



Art. No. 01609.0-00



Art. No. 01610.0-00



Art. No.	Heating capacity <sup>2</sup>	Inrush current max.	Recommended pre-fuse T (time-delay)	Surface temperature (approx.)	Connection	Weight (approx.)
01602.0-00	8 W	2.0 A	2.0 A	+150 °C	2 x AWG 18 stranded wire	20 g
01609.0-00	10 W	2.5 A	4.0 A	+155 °C	2 x AWG 22 cable (silicone)	30 g
01610.0-00	13 W	3.0 A	4.0 A	+170 °C	2 x AWG 22 cable (silicone)	40 g

<sup>2</sup> at +20 °C (+68 °F) ambient temperature



# SCATTERGOOD & JOHNSON LTD

ELECTRICAL ENGINEERING & FLUID CONTROL DISTRIBUTORS

Est.1899

At Scattergood & Johnson Ltd, we pride ourselves on being a technical distributor to specialist industries.

Working with a range of quality product suppliers across a number of specialist markets, we are not your average 'box shifter' - we are your technical and supply chain partner.

We fully support every product we sell - for free! Our internal team and external sales engineers can answer any product or application question, no matter the complexity.

Backing up this technical ability is a range of 50,000+ products available from stock for nationwide next day delivery (same day if required!), or you can collect what you need from any of our trade counters around the UK.

Select your specialist interest below to learn more about how we can help.



Online, In Branch and On the Road - Scattergood & Johnson Ltd, there when you need us.

# [www.scatts.co.uk](http://www.scatts.co.uk)