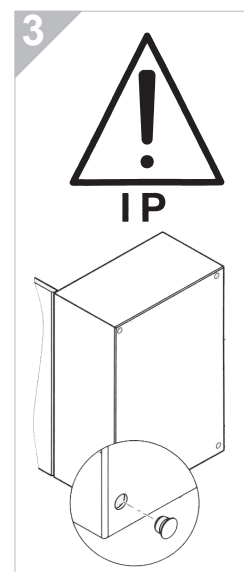
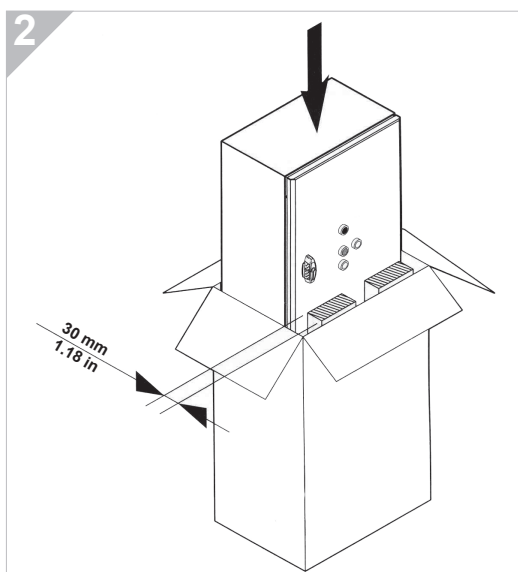
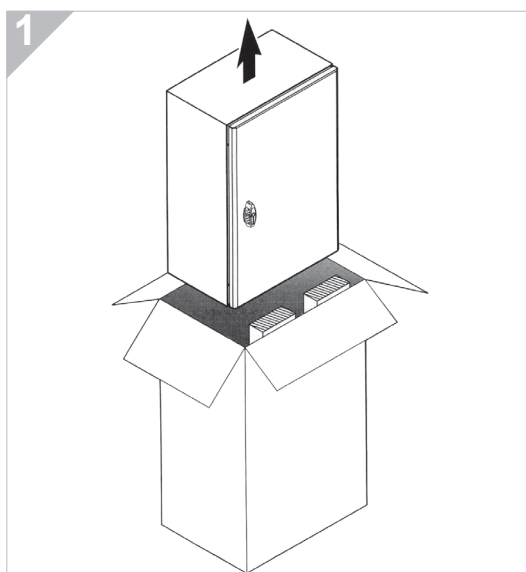

140x80	245x80	245x130	345x130	445x130	545x130	495x220	HM8	L8x20	HM6	DD6			Ø 10,3		
1							4	4	2	2	4	2	4	1	1
	1						4	4	2	2	4	2	4	1	1
		1					4	4	2	2	6	2	4	1	1
			1				4	4	2	2	8	2	4	1	1
			2				4	4	2	2	16	2	4	1	1
				1			4	4	2	2	8	2	4	1	1
				2			6	6	4	4	16	4	4	1	1
					1		4	4	2	2	10	2	4	1	1
						1	4	4	2	2	12	2	4	1	1



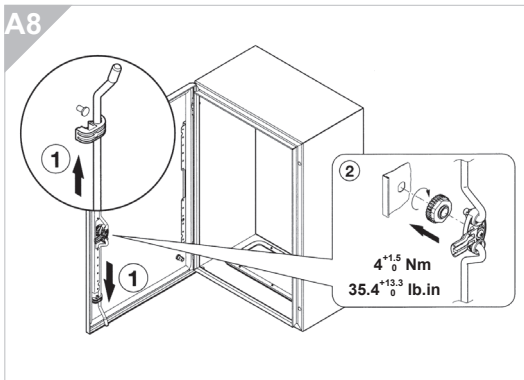
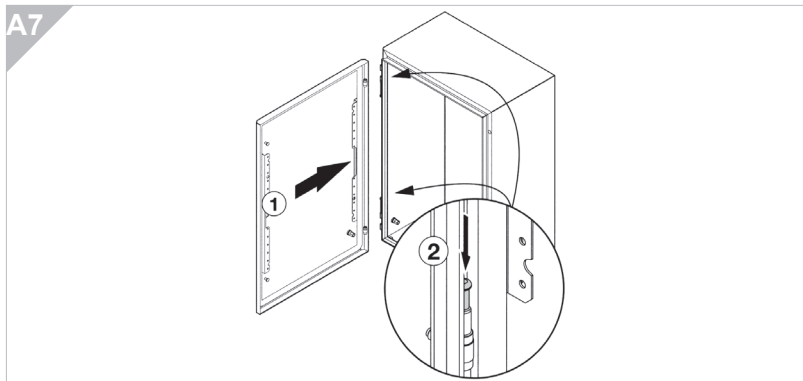
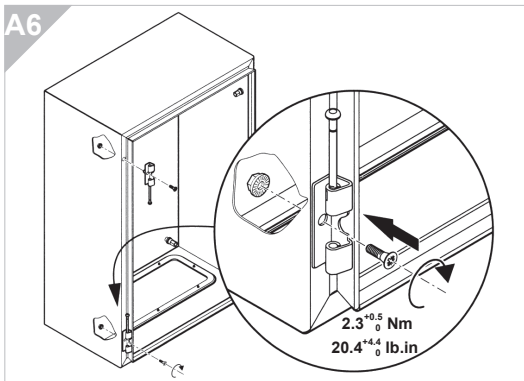
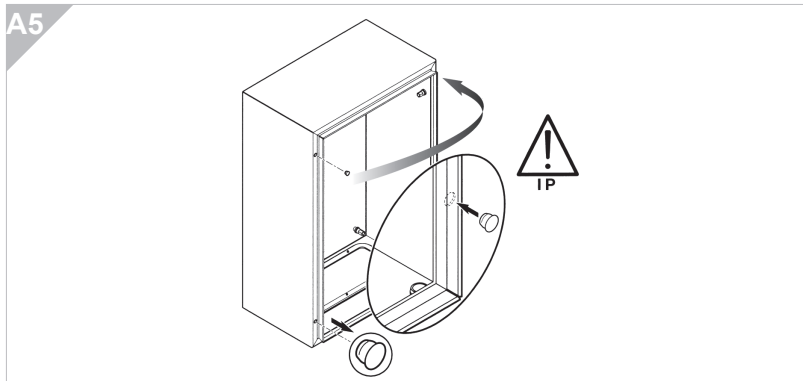
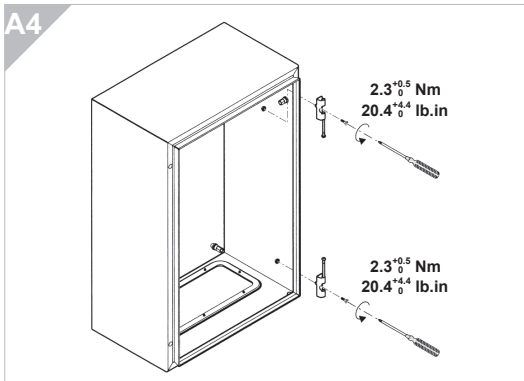
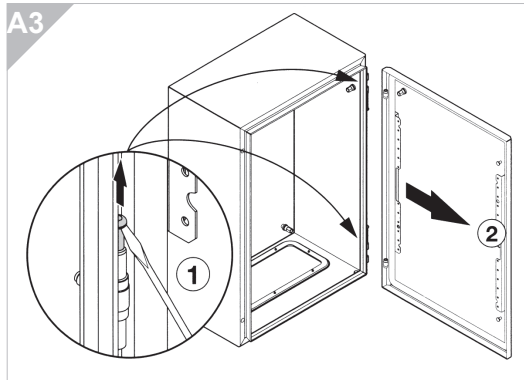
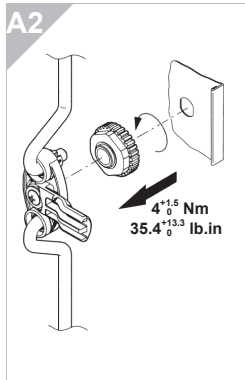
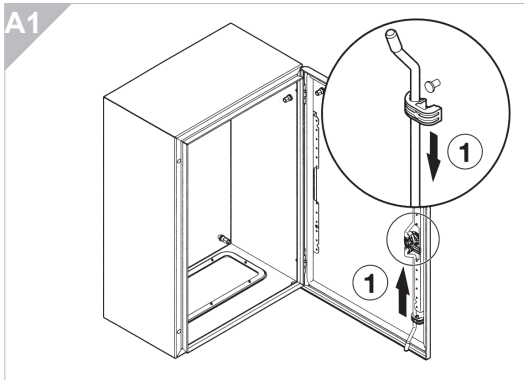
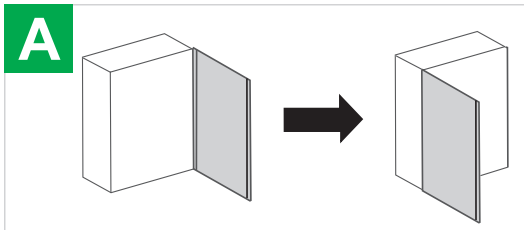
POUR REpondre A VOS ATTENTES EN CAS DE RE-CLAMATION ET OPTIMISER LE TRAITEMENT DE VOTRE DOSSIER, VEUILLEZ NOUS FOURNIR LES INFORMATIONS FIGURANT SUR L'ETIQUETTE DE TRACABILITE COLLEE A L'INTERIEUR DE VOS PRODUITS.

UM IHREN ERWARTUNGEN ENTGEGENZUKOMMEN IM FALLE EINER BEANSTANDUNG UND DIE BEHANDLUNG IHRER AKTE ZU OPTIMISIEREN, BITTEN WIR UM ANGABE DER INFORMATIONEN AUF DER ATIKTTE IM INNERN DES PRODUKTES.

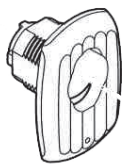
IN ORDER TO MANAGE PROPERLY YOUR QUALITY CLAIM, COULD YOU PLEASE PROVIDE US ALL THE INFORMATION MENTIONED ON THE TRACER LABEL LOCATED INSIDE THE BODY OF THE PRODUCT.

PER UNA RIPOSTA OTTIMA AD UNA RECLAMAZIONE, VI PREGHIAMO DI SEMPRE INDICARCI LE INFORMAZIONI SCRITTE SULL'ETICHETTA DI TRACIABILITA CHE SI TROVA ALL'INTERNO DEL PRODOTTO.

PARA CONTESTAR A SUS EXPEXTATIVAS EN CASO DE RECLAMACION Y OPTIMIZAR EL TRATAMIENTO DE SU DOSSIER, LE RUEGO NOS FACILITE LAS INFORMACIONES QUE FIGURAN EN LA ETIQUETA DE TRAZABILIDAD PEGADA EN EL INTERIOR DEL PRODUCTO.

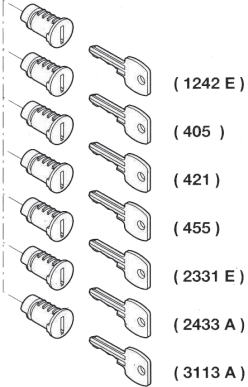
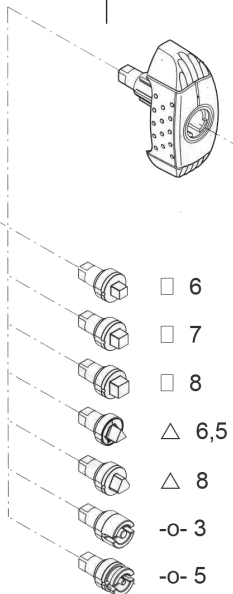


B

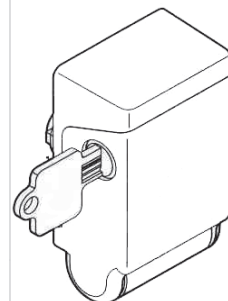


B1

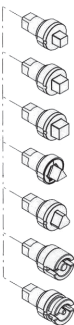
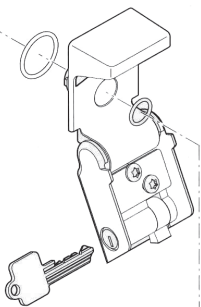
$4^{+1.5}_0$ Nm
 $35.4^{+13.3}_0$ lb.in



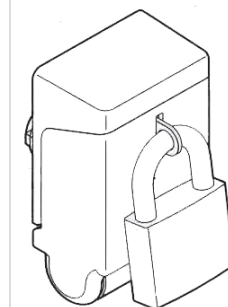
B3

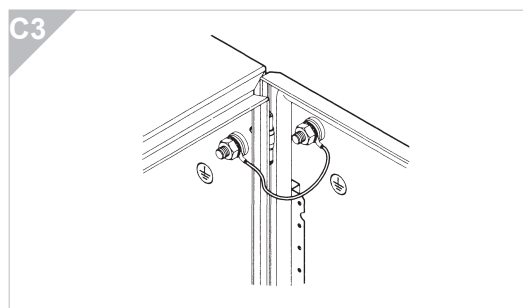
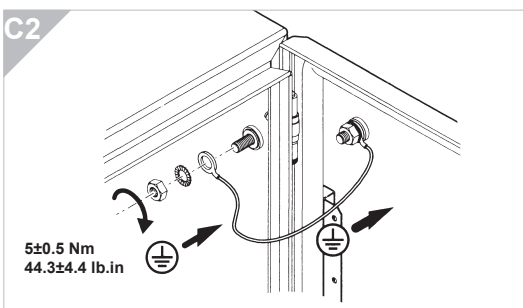
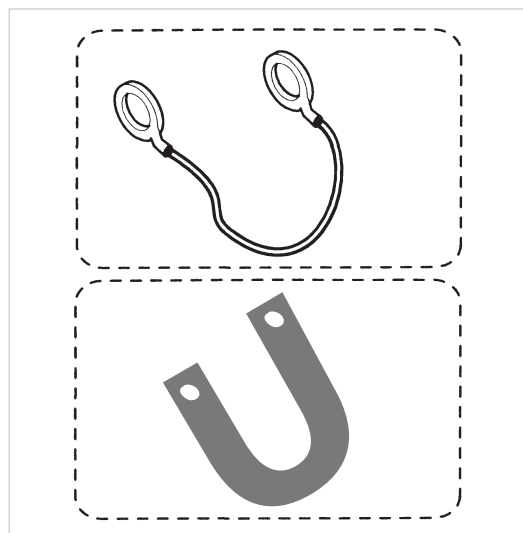
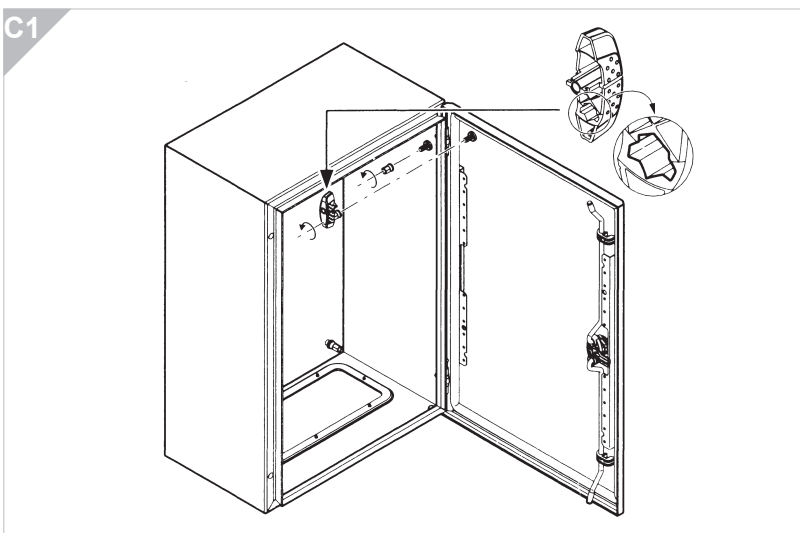
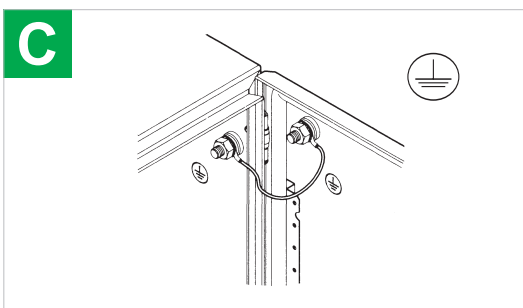
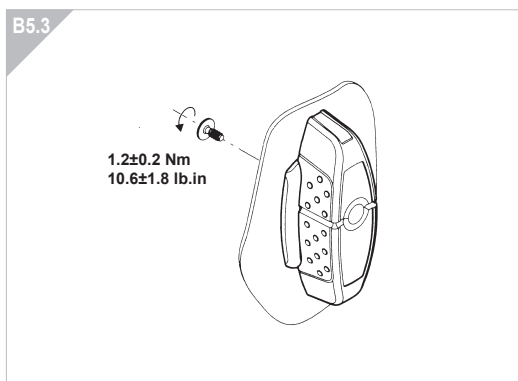
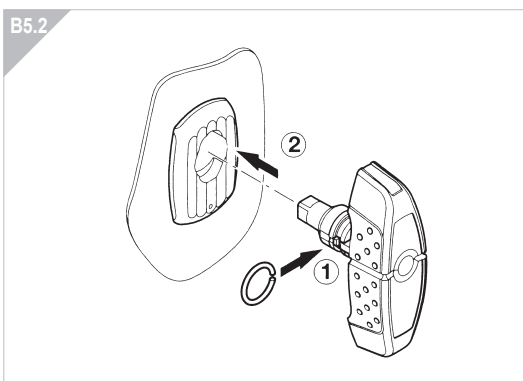
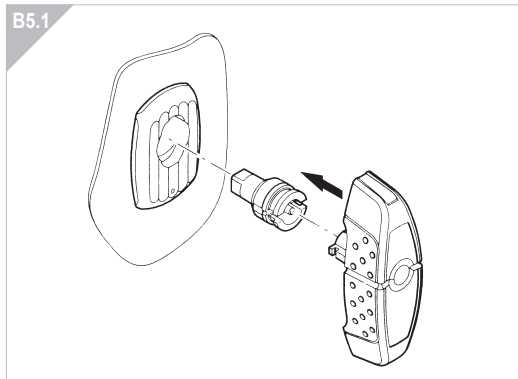
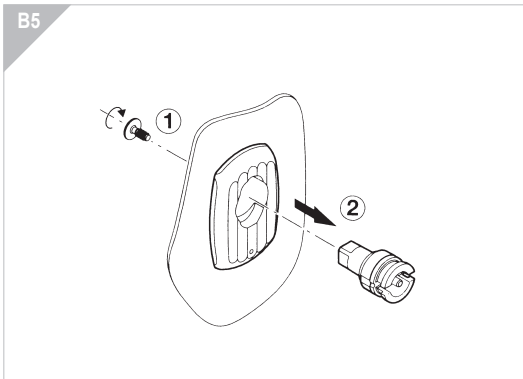


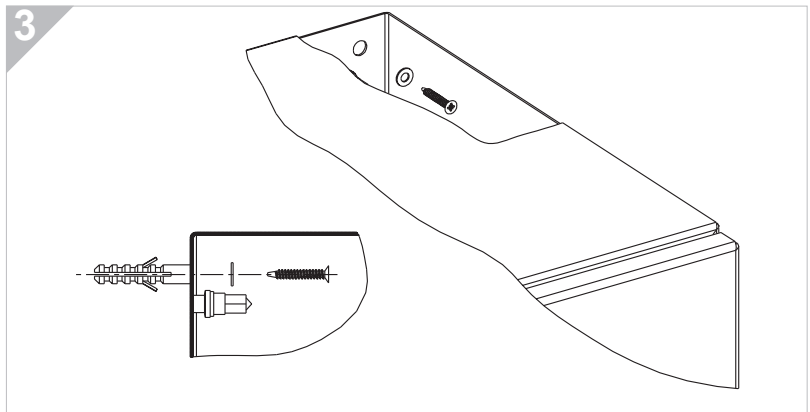
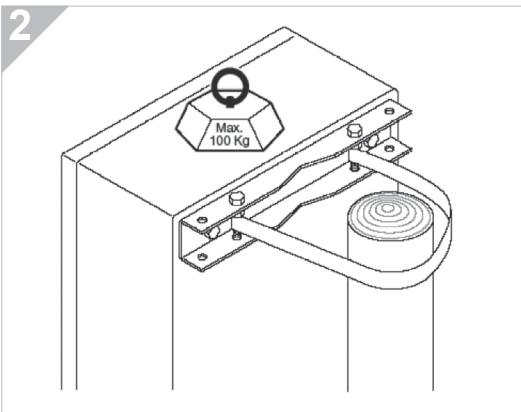
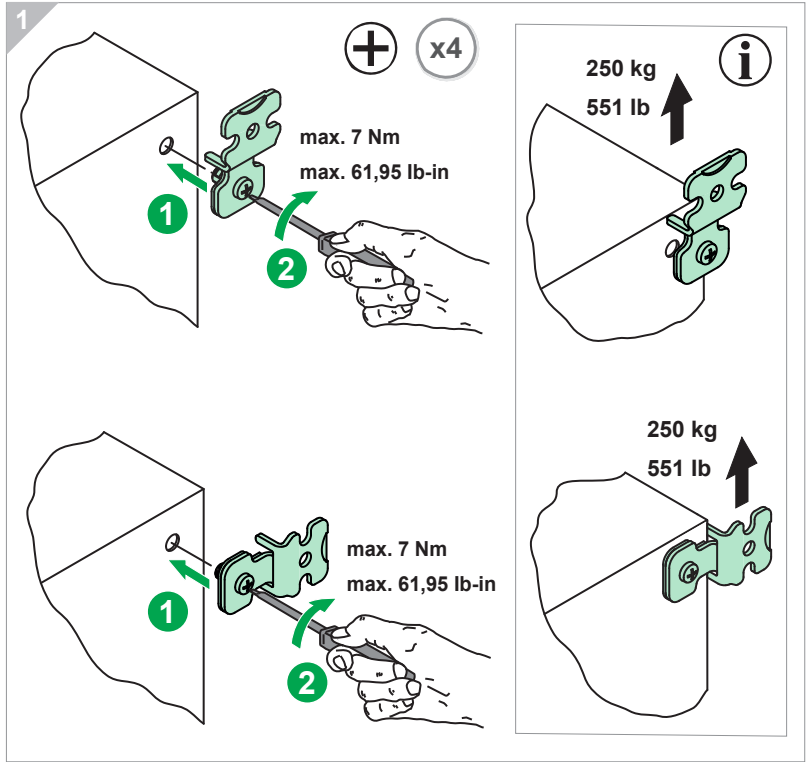
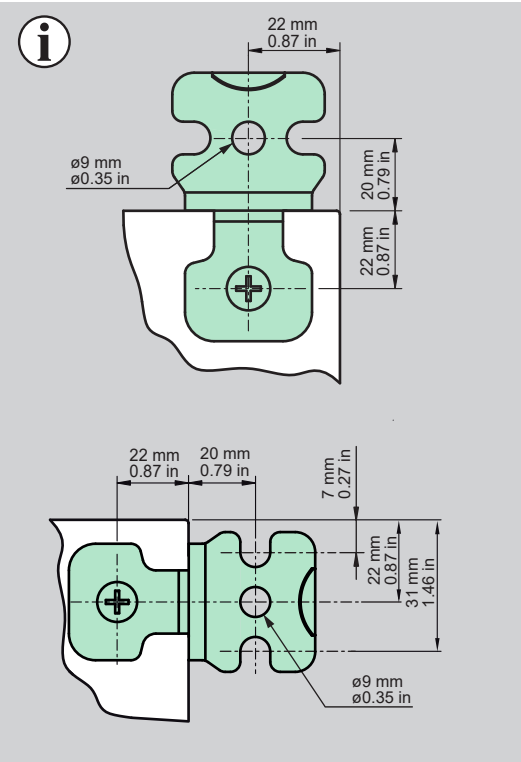
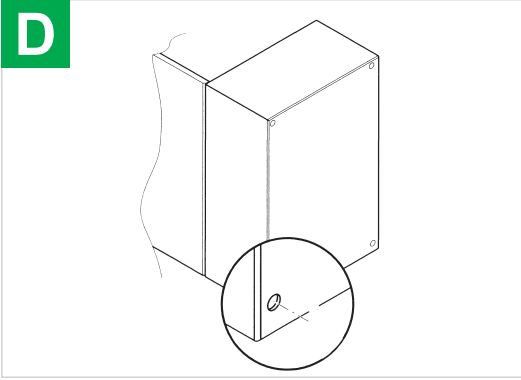
B2



B4

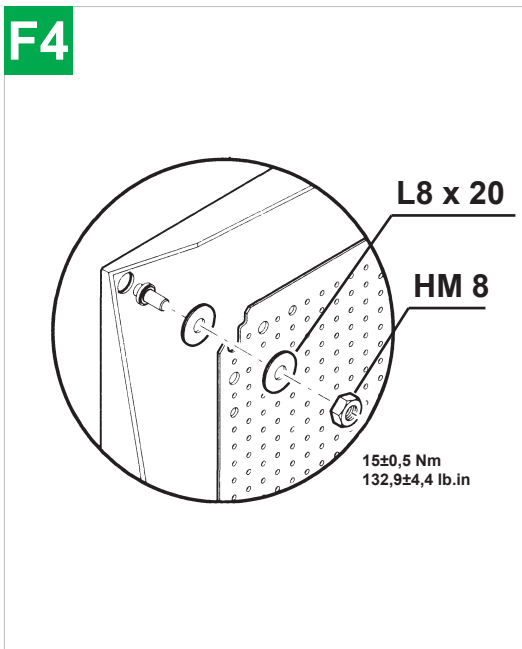
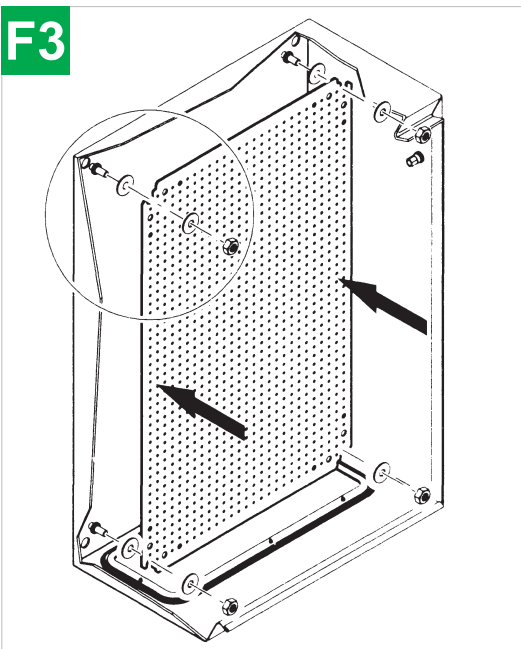
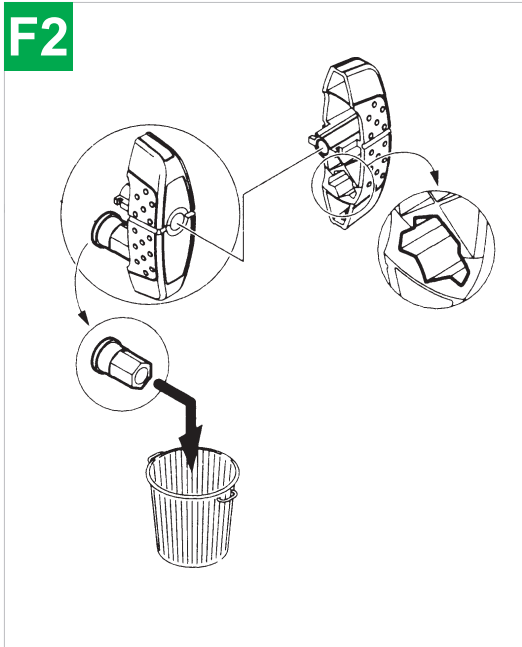
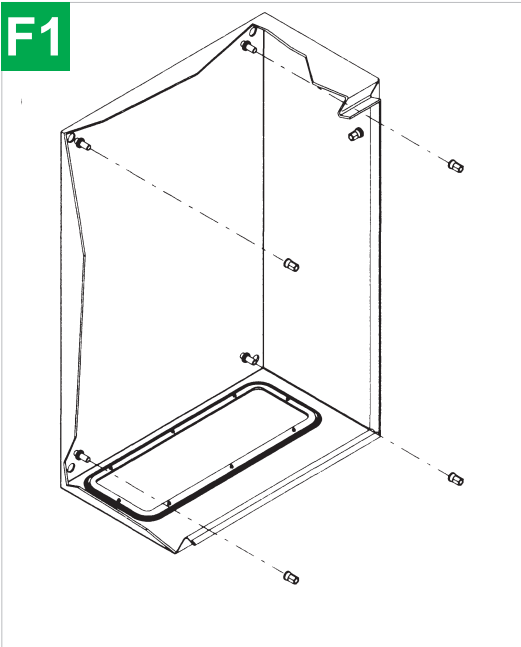
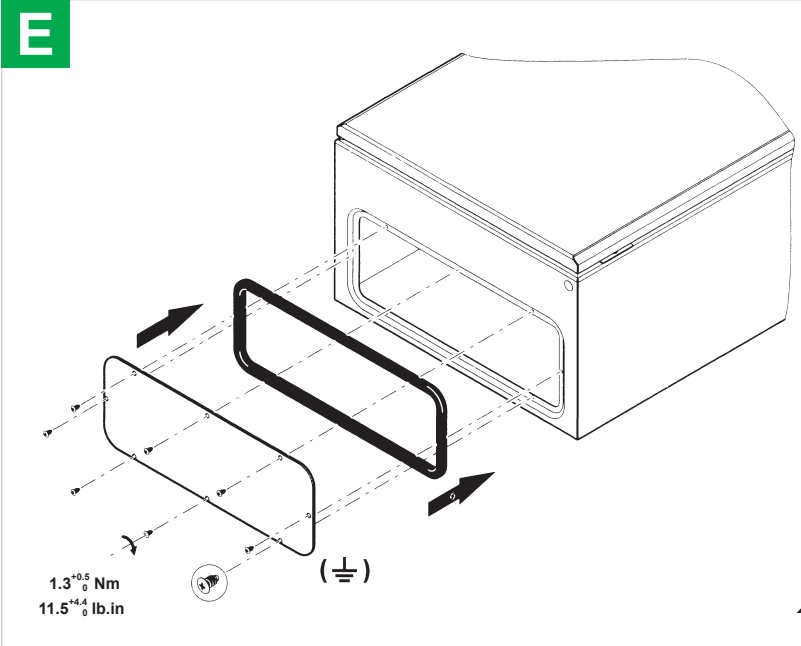


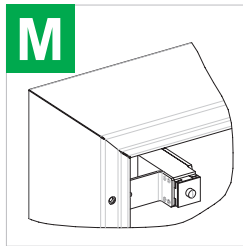
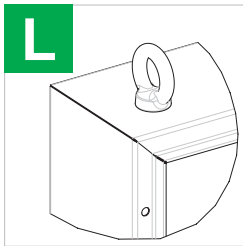
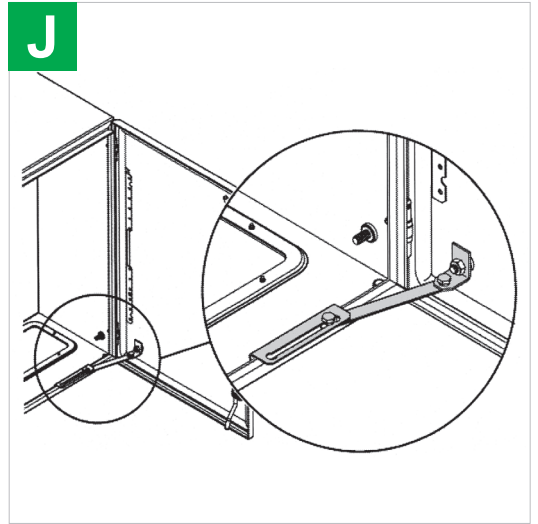
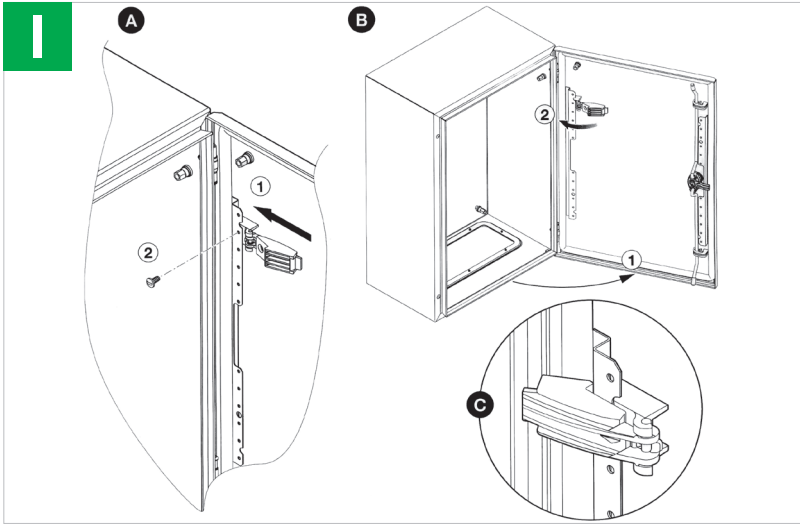
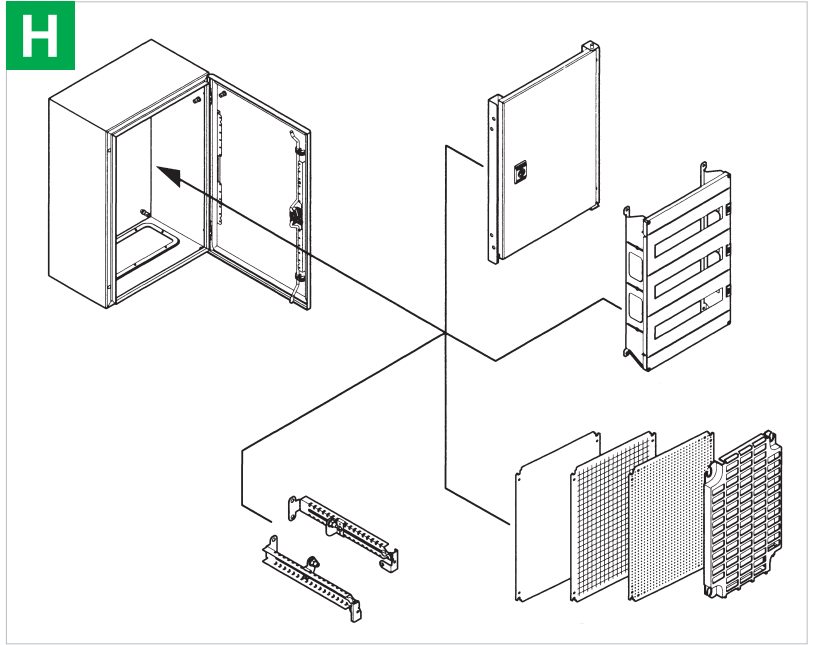
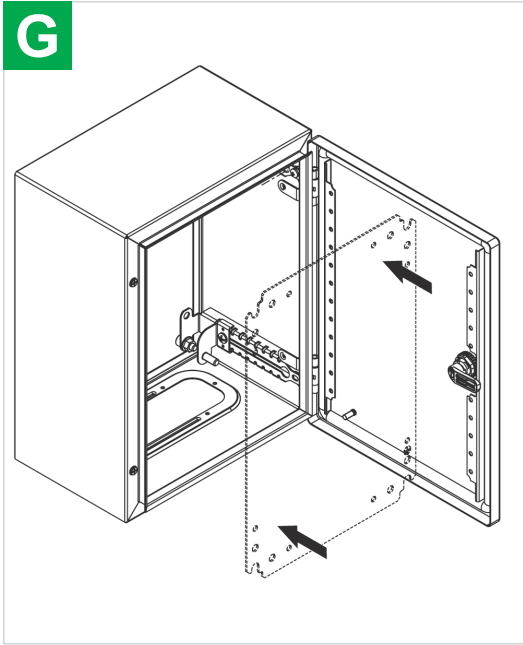




To maintain the same UL type rating, all conduit fittings and other components installed in openings made in the enclosure must have its same ratings and only wall fixing bracket NSYPFCR may be used. When installed as a Type 2 or 3R enclosure, drill a drain hole (3.2 - 6.4 mm (1/8 - 1/4 in) diameter) in the lowest part of the bottom wall.

It is the customer responsibility to fulfill requirements of section 19 (Openings) of UL508A Standard and Section 9.6 (Equipment openings) of UL50E Standard.
Il est de la responsabilité du client de respecter les exigences de la section 19 (Openings) de la Norme UL508A et la section 9.6 (Equipment openings) de la norme UL50E





Schneider Electric Industries SAS

89, boulevard Franklin Roosevelt
 F - 92500 Rueil-Malmaison (France)
 Tel : + 33 (0) 1 41 29 85 00
 Fax : + 33 (0) 1 41 29 89 01
<http://www.schneider-electric.com>

En raison de l'évolution des normes et du matériel, les caractéristiques indiquées par les textes et les images de ce document ne nous engagent qu'après confirmation par nos services.

As standards, specifications and designs change from time to time, please ask for confirmation of the information given in the publication.

Ce document a été imprimé sur du papier écologique.
 This document has been printed on ecological paper.



ENNA07900T-05

Released for Manufacturing
 Printed on 2018/11/14



SCATTERGOOD & JOHNSON LTD

ELECTRICAL ENGINEERING & FLUID CONTROL DISTRIBUTORS

Est.1899

At Scattergood & Johnson Ltd, we pride ourselves on being a technical distributor to specialist industries.

Working with a range of quality product suppliers across a number of specialist markets, we are not your average 'box shifter' - we are your technical and supply chain partner.

We fully support every product we sell - for free! Our internal team and external sales engineers can answer any product or application question, no matter the complexity.

Backing up this technical ability is a range of 50,000+ products available from stock for nationwide next day delivery (same day if required!), or you can collect what you need from any of our trade counters around the UK.

Select your specialist interest below to learn more about how we can help.



Online, In Branch and On the Road - Scattergood & Johnson Ltd, there when you need us.

www.scatts.co.uk