

## ASi Power Supply 4 A/8 A



### ASi Power Supply 4 A

90 V AC up to 265 V AC wide range power supply (BW1649)

### ASi Power Supply 8 A

115 V AC/230 V AC power supply with range switch (BW1997)

SELV

LED operation indicator

ASi data decoupling

Power factor correction



(figure similar)



Article no. BW1649 ASi Power Supply 4 A, wide range power supply

Article no. BW1997 ASi Power Supply 8 A, power supply with range switch

The primary clocked power supply is supposed for fieldbus applications, which transport energy and data via a 2-wire line at the same time.

The ASi Supply powers a fully loaded ASi system with a maximum output current of 4 A or 8 A. The sinusoidal current consumption of the power supply prevents harmonic waves. The current is approximately in phase with the voltage by means of

the passive power factor correction and leads to only a little reactive power. This guarantees a power factor  $\cos\varphi \geq 0.6$ .

Besides the energy supply the power supply takes over also the function of data decoupling to the power source and the balancing of the two ASi output lines in relation to the machine ground (shield).

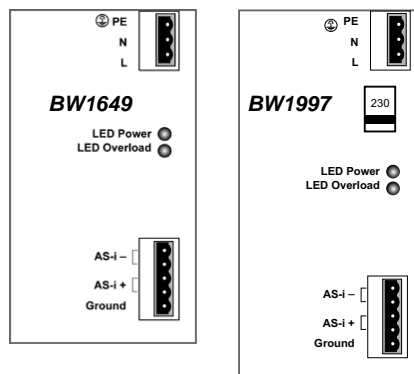
Due to the accurate and transformic coupling the use of unscreened load lines is possible.

# ASi Power Supply 4 A/8 A



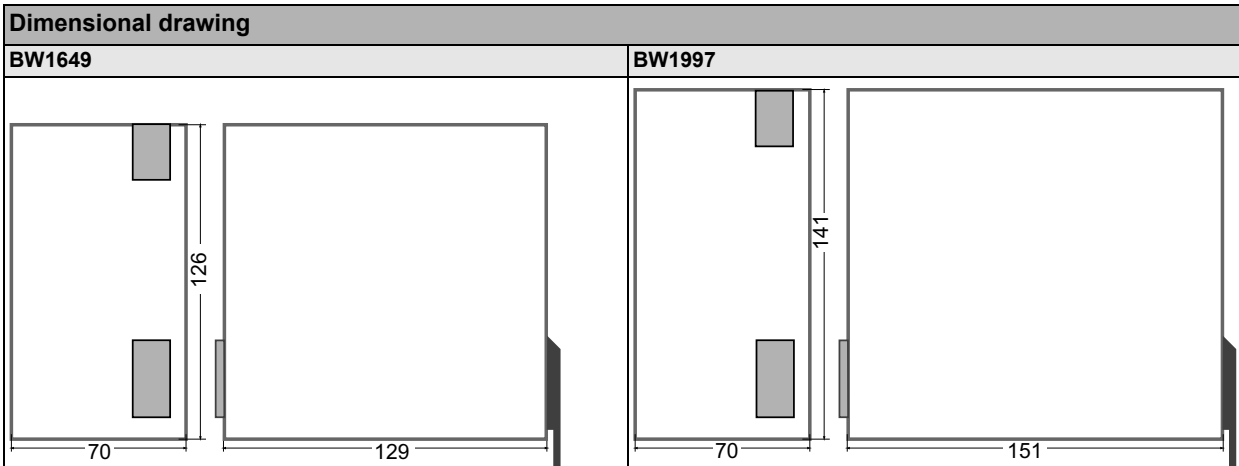
| Article no.   | BW1649   | BW1997         |
|---|--|----------------|
| <b>Input</b>  |  |                |
| Power factor  | approx. 0.6 (according to input voltage)                         |                |
| Input frequency                                       | 47 ... 63 Hz   |                |
| Voltage range $U_e$                                   | 90 ... 265 V AC  | 115/230 V AC   |
| Efficiency  | approx. 90%  |                |
| Input current $I_e$                                   | without idle current at 230 V AC                                 |                |
|   | approx. 0.6 A  | approx. 1.2 A  |
| Input fuse  | internal fuse<br>electronic fuse against external short circuits |                |
| Turn on surge current                                 | <30 V  |                |
| <b>Output</b>   |  |                |
| Output voltage  | 30.9 ... 31.5 V DC   |                |
| Remaining ripple                                      | according to ASi specification                                   |                |
| Output current  | 4 A  | 8 A            |
| Current limitation                                    | approx. 4.5 A  | approx. 8.5 A  |
| <b>Displays</b>                                       |  |                |
| LED green (PWR)                                       | power on (at frontside)  |                |
| LED red (Overload)                                    | overload error (at frontside)                                    |                |
| <b>Standard conformity</b>                            |  |                |
| Protection category (EN 60 529)                       | IP20   |                |
| Standards   | EN 60950, UL 60950   |                |
| Ambient operating temperature                         | -10 °C ... +55 °C  |                |
| Storage temperature                                   | -40 °C ... +85 °C  |                |
| Dimensions (W / H / D in mm)                          | 70 / 126 / 129   | 70 / 141 / 151 |
| Dimensions including connector plug (W / H / D in mm) | 70 / 126 / 147   | 70 / 141 / 169 |

**Connections:**



**Notice:**

- Clamp GND must be connected with machine ground.
- Air circulation in the power supply may not be disturbed: therefore when mounting see that is at least 10 cm free space down and sufficiently free space above!





# SCATTERGOOD & JOHNSON LTD

ELECTRICAL ENGINEERING & FLUID CONTROL DISTRIBUTORS

Est.1899

At Scattergood & Johnson Ltd, we pride ourselves on being a technical distributor to specialist industries.

Working with a range of quality product suppliers across a number of specialist markets, we are not your average 'box shifter' - we are your technical and supply chain partner.

We fully support every product we sell - for free! Our internal team and external sales engineers can answer any product or application question, no matter the complexity.

Backing up this technical ability is a range of 50,000+ products available from stock for nationwide next day delivery (same day if required!), or you can collect what you need from any of our trade counters around the UK.

Select your specialist interest below to learn more about how we can help.



Online, In Branch and On the Road - Scattergood & Johnson Ltd, there when you need us.

# [www.scatts.co.uk](http://www.scatts.co.uk)