

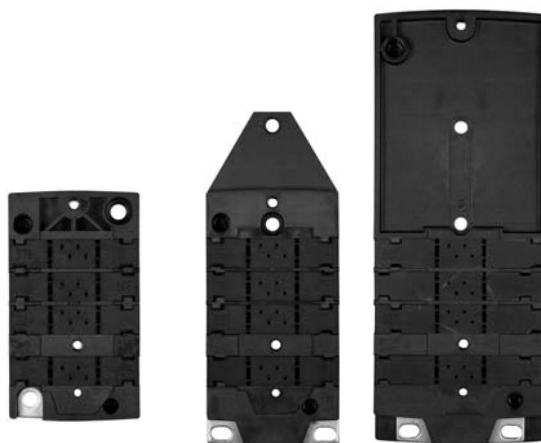
ASi Substructure Module in IP67



ASi Substructure Module in IP67

- suitable for mounting on symmetrical DIN profile rail 35 mm, or for wall-mounting
- fixing centres CNOMO compliant

Protection category IP67



(figure similar)

Article no. BWU2349 ASi Substructure Module for 4-channel module in 45 mm-housing

Article no. BWU2350 ASi Substructure Module (CNOMO) for 4-channel module in 45 mm-housing

Article no. BWU2351 ASi Substructure Module (CNOMO) for 8-channel module in 60 mm-housing

Article no. BWU3516 ASi Substructure Module (CNOMO) for 8-channel module in 60 mm-housing

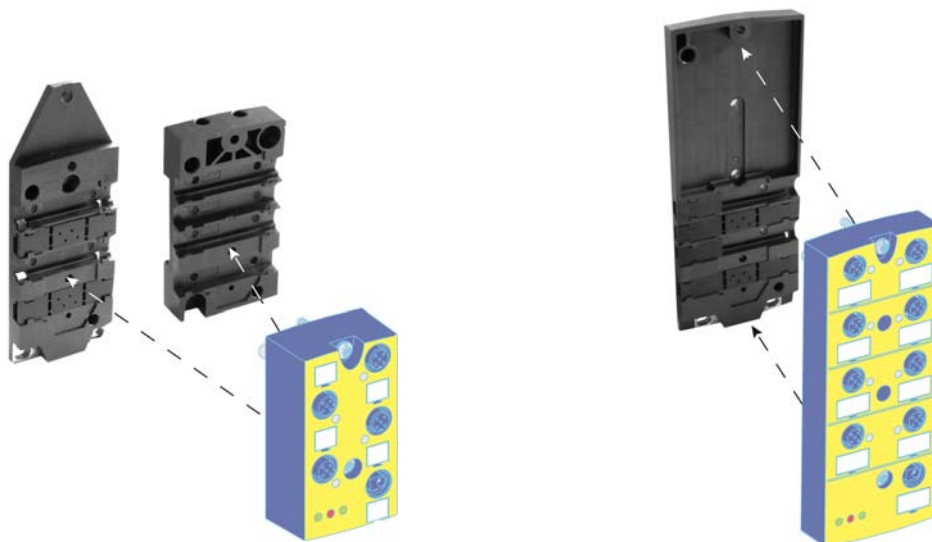
ASi substructure modules are a necessary accessory for ASi modules of the product family M12 modules in IP67.

Article no.	BWU2349	BWU2350	BWU2351	BWU3516
Cable	max. 2 yellow ASi flat cables (ASi) and 2 black ASi flat cables (AUX) simultaneously connectable to the formation of junctions mounting is possible in two directions			
Screw mounting	2-point	4-point (centerline spacing CNOMO)		
Mounting on symmetrical DIN rail 35 mm	yes	no		yes
Connection	cut clamp terminals (IDC method)			
Ambient operating temperature	-30 ... +70 °C			
Storage temperature	-30 ... +85 °C			
Protection category	IP67			
Dimensions (W / H / D in mm)	45 / 81 / 15	45 / 117 / 10	60 / 152 / 11	60 / 152 / 15
Weight	45 g	40 g	66 g	69 g

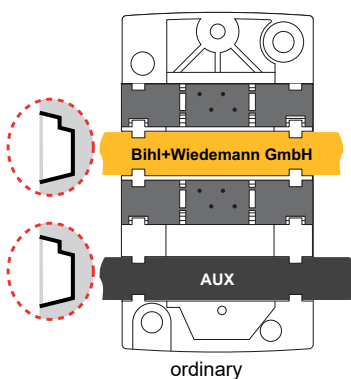
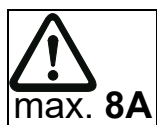
ASi Substructure Module in IP67



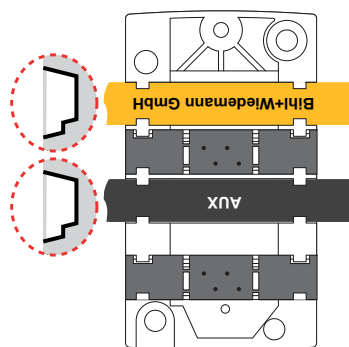
Substructure modules and appropriate modules:



Mounting according to cable direction

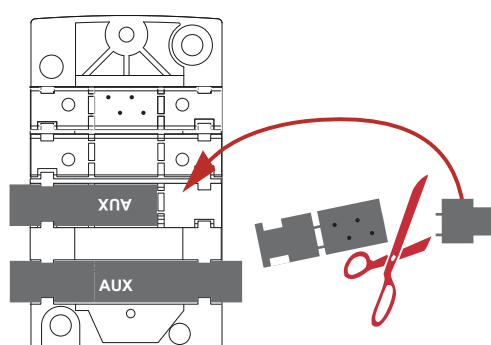
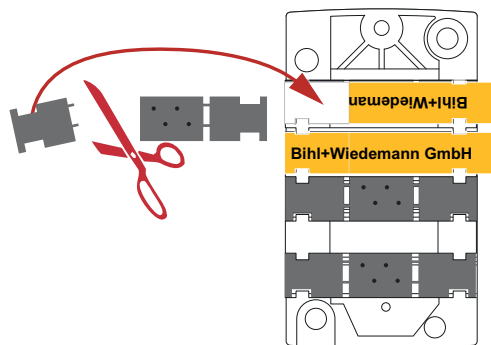
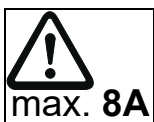


ordinary



turned

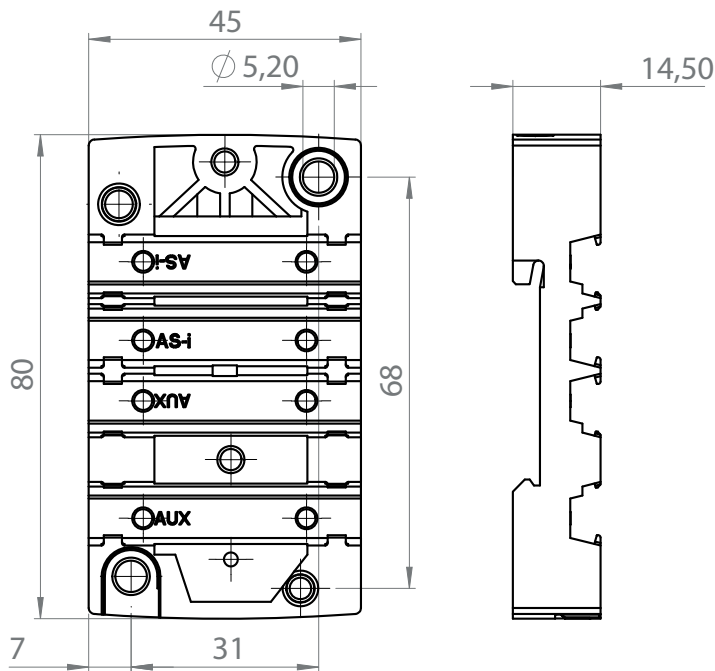
Line termination with sealing profiles / junction



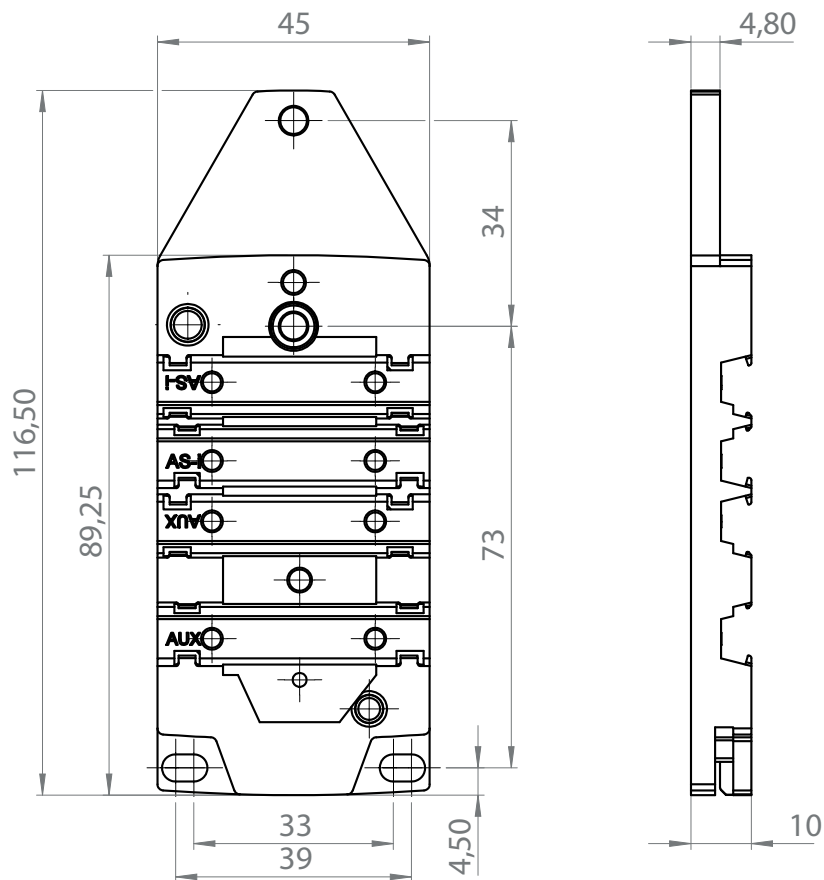
ASi Substructure Module in IP67

Dimensions:

- 4-channel module (BWU2349)



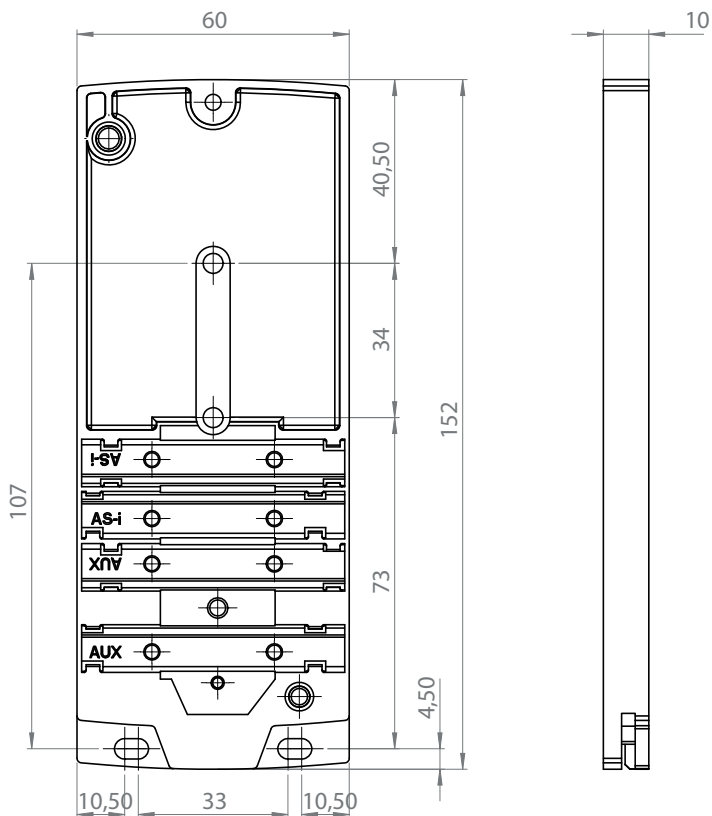
- 4-channel module (BWU2350)



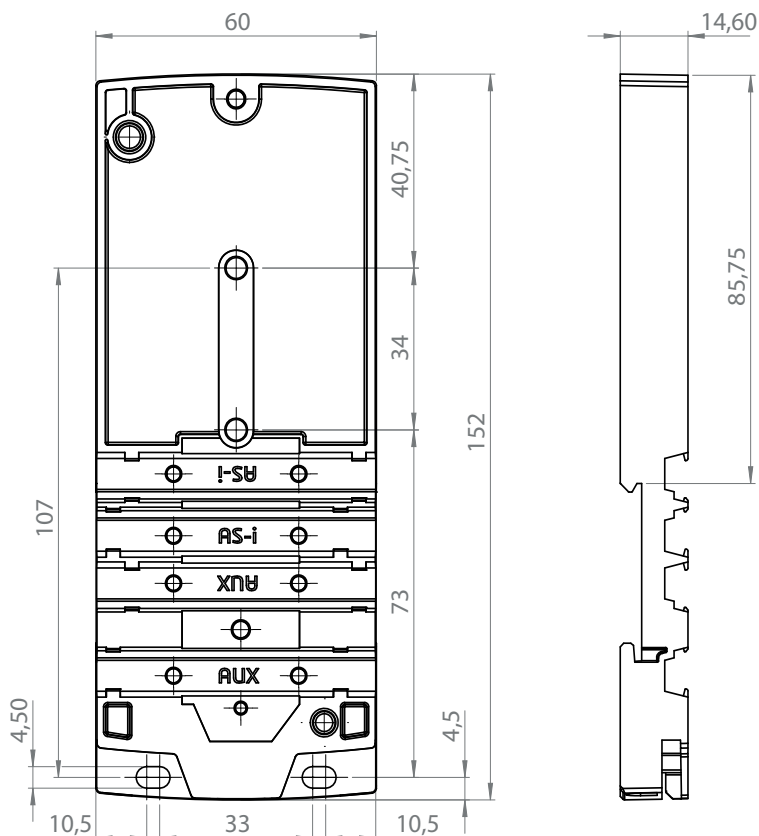
ASi Substructure Module in IP67



• 8-channel module (BWU2351)



• 8-channel module (BWU3516)





SCATTERGOOD & JOHNSON LTD

ELECTRICAL ENGINEERING & FLUID CONTROL DISTRIBUTORS

Est.1899

At Scattergood & Johnson Ltd, we pride ourselves on being a technical distributor to specialist industries.

Working with a range of quality product suppliers across a number of specialist markets, we are not your average 'box shifter' - we are your technical and supply chain partner.

We fully support every product we sell - for free! Our internal team and external sales engineers can answer any product or application question, no matter the complexity.

Backing up this technical ability is a range of 50,000+ products available from stock for nationwide next day delivery (same day if required!), or you can collect what you need from any of our trade counters around the UK.

Select your specialist interest below to learn more about how we can help.



Online, In Branch and On the Road - Scattergood & Johnson Ltd, there when you need us.

www.scatts.co.uk