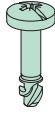

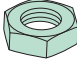
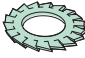
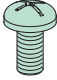


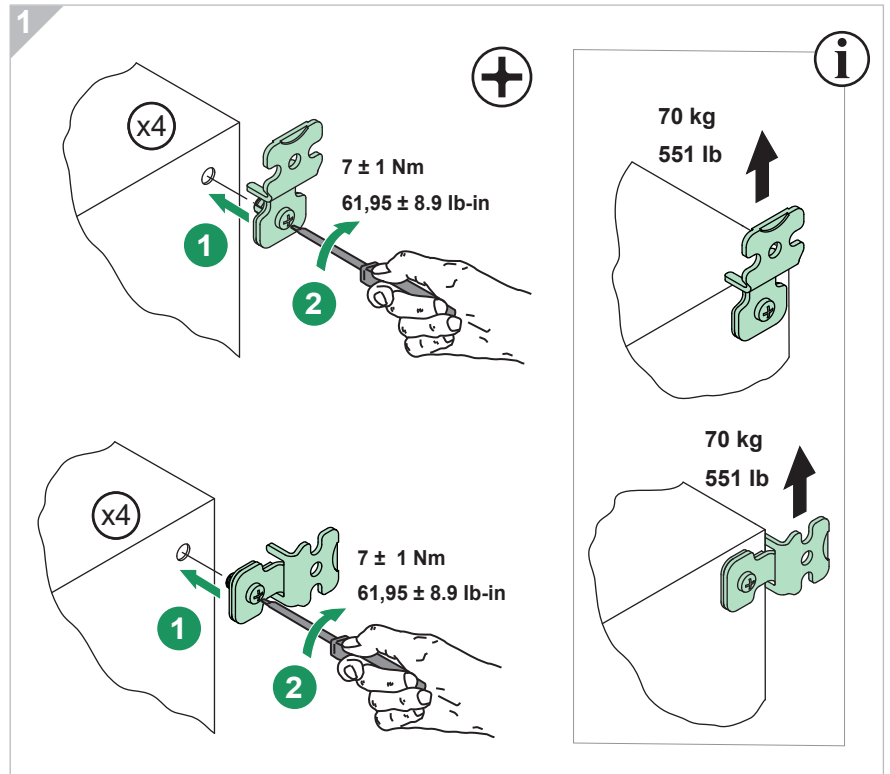
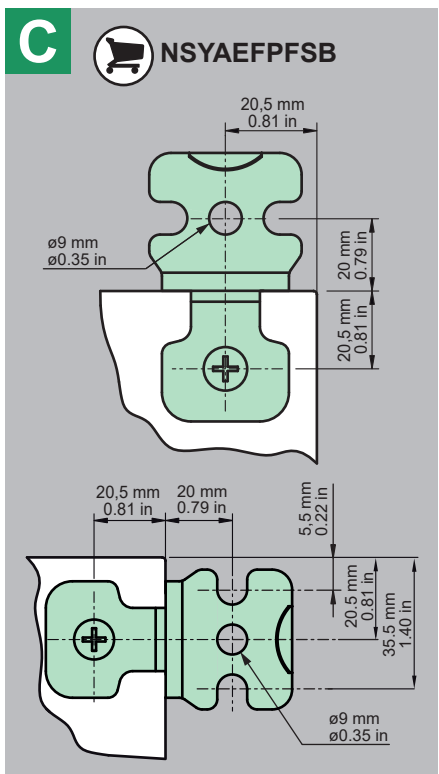
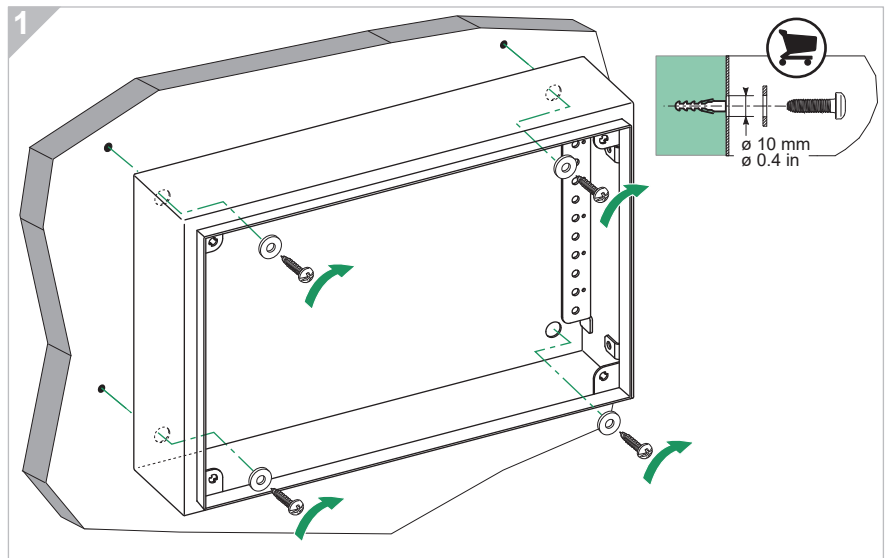
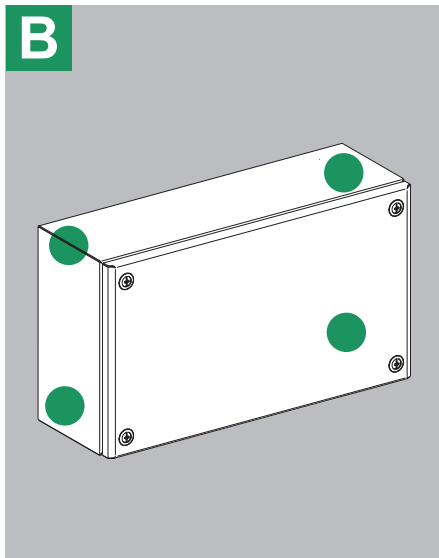
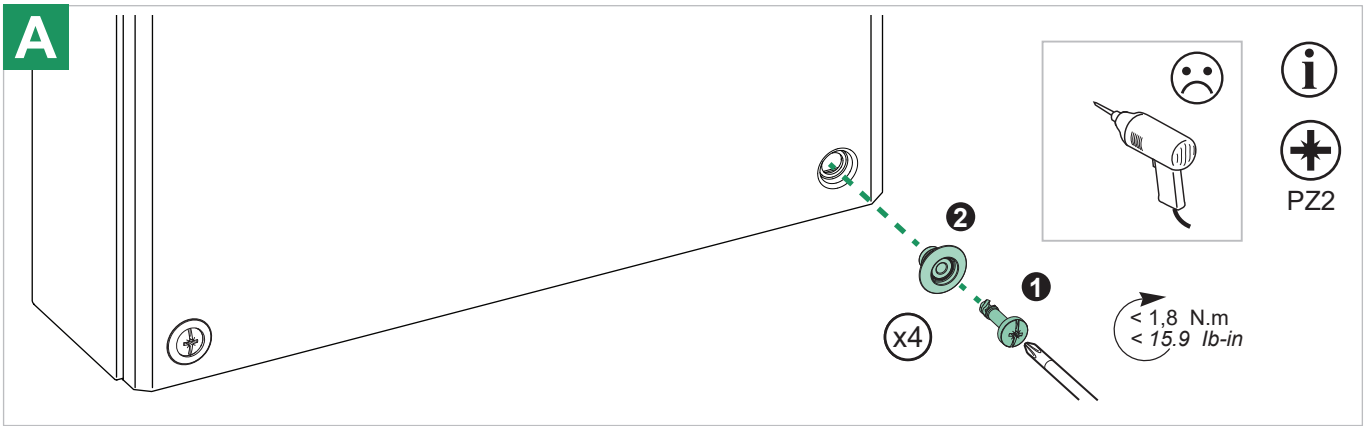
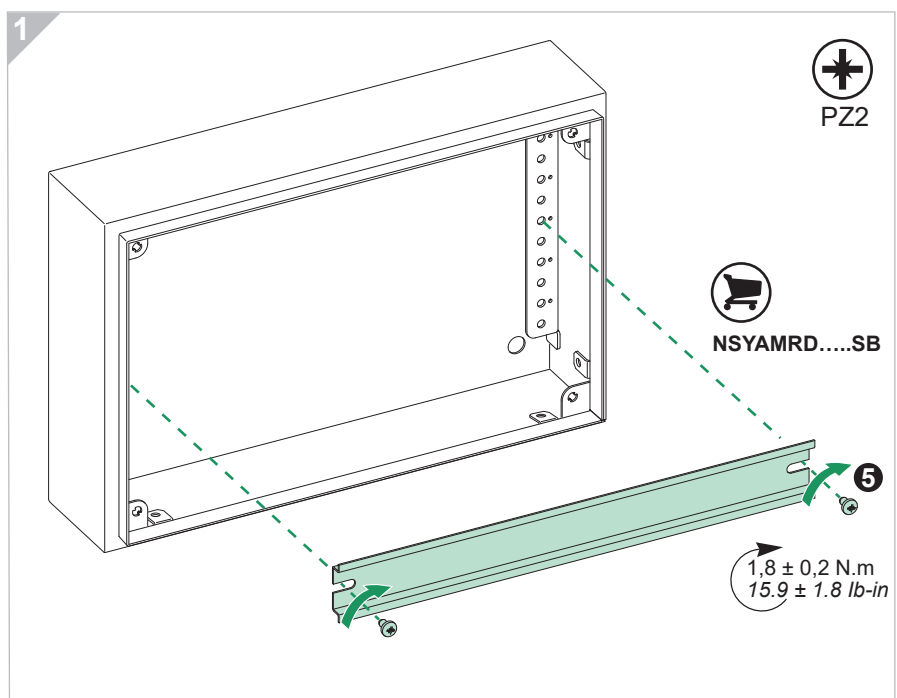
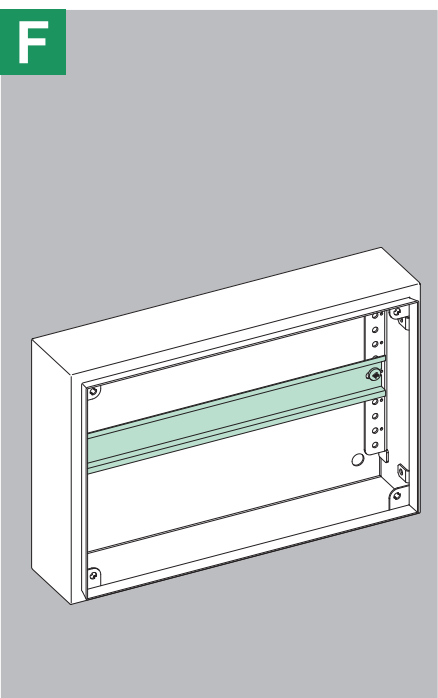
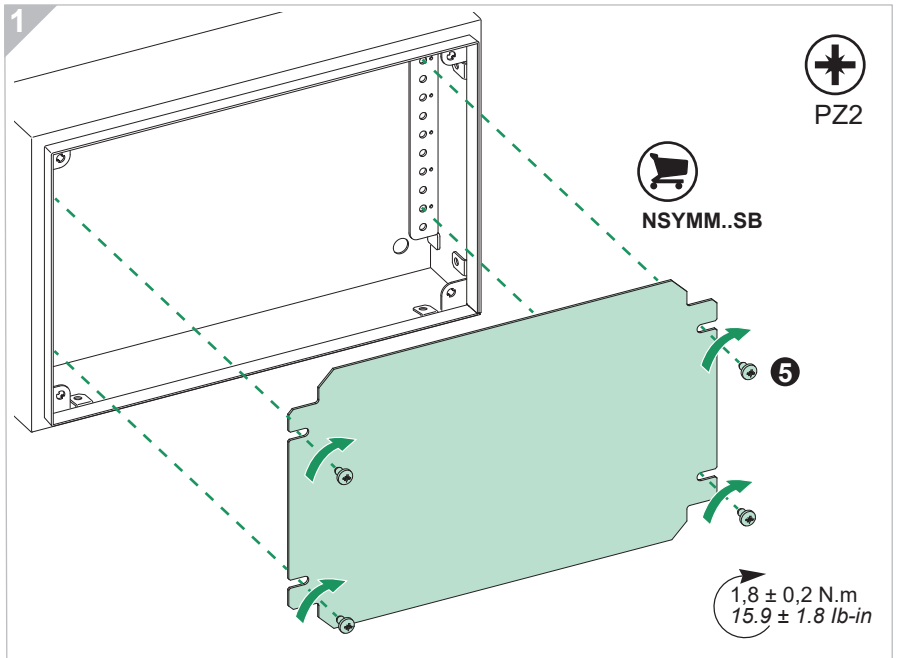
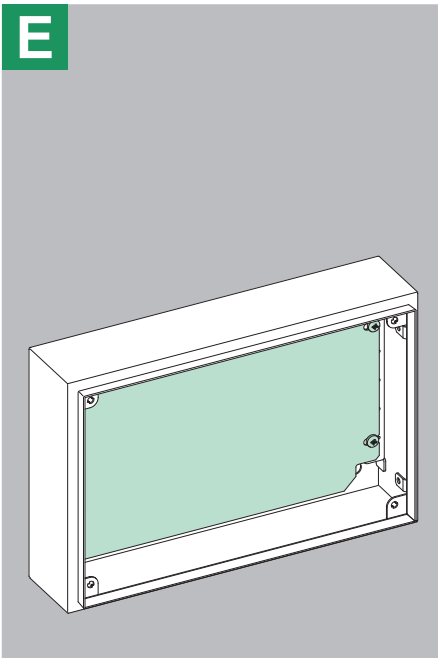
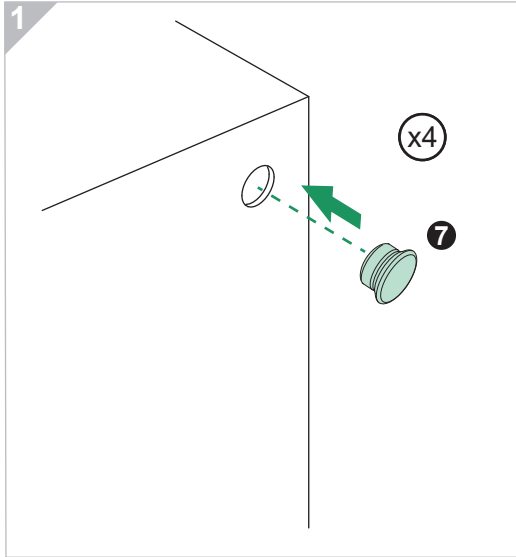
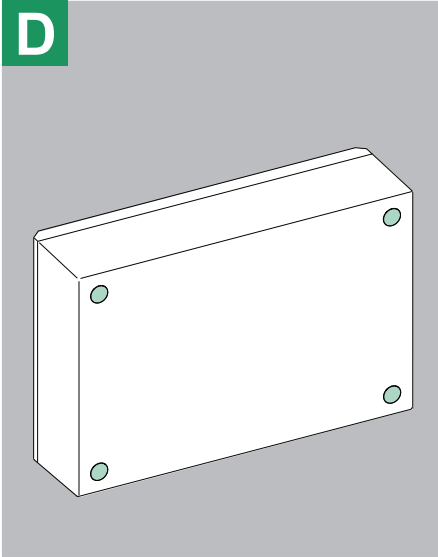


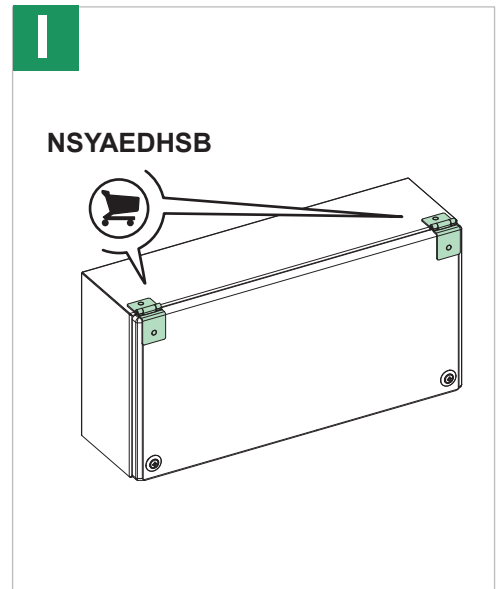
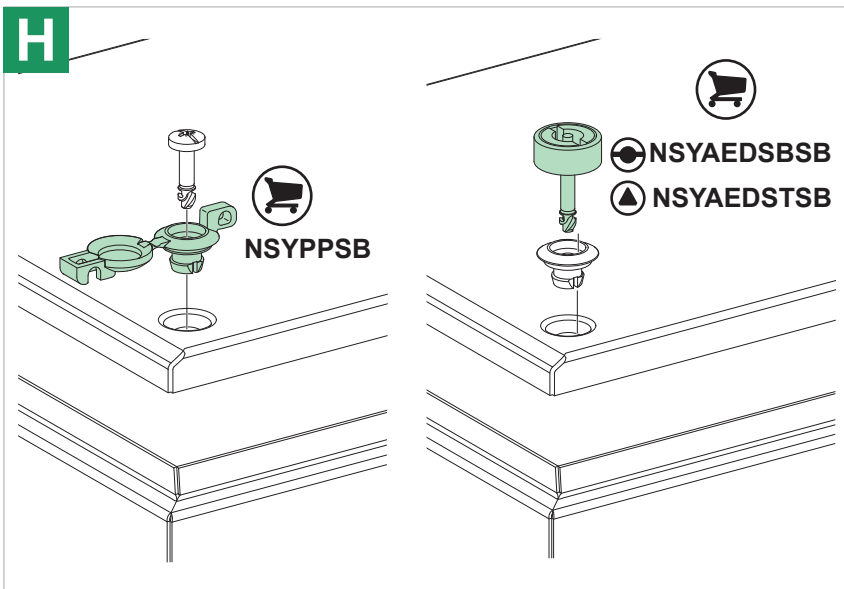
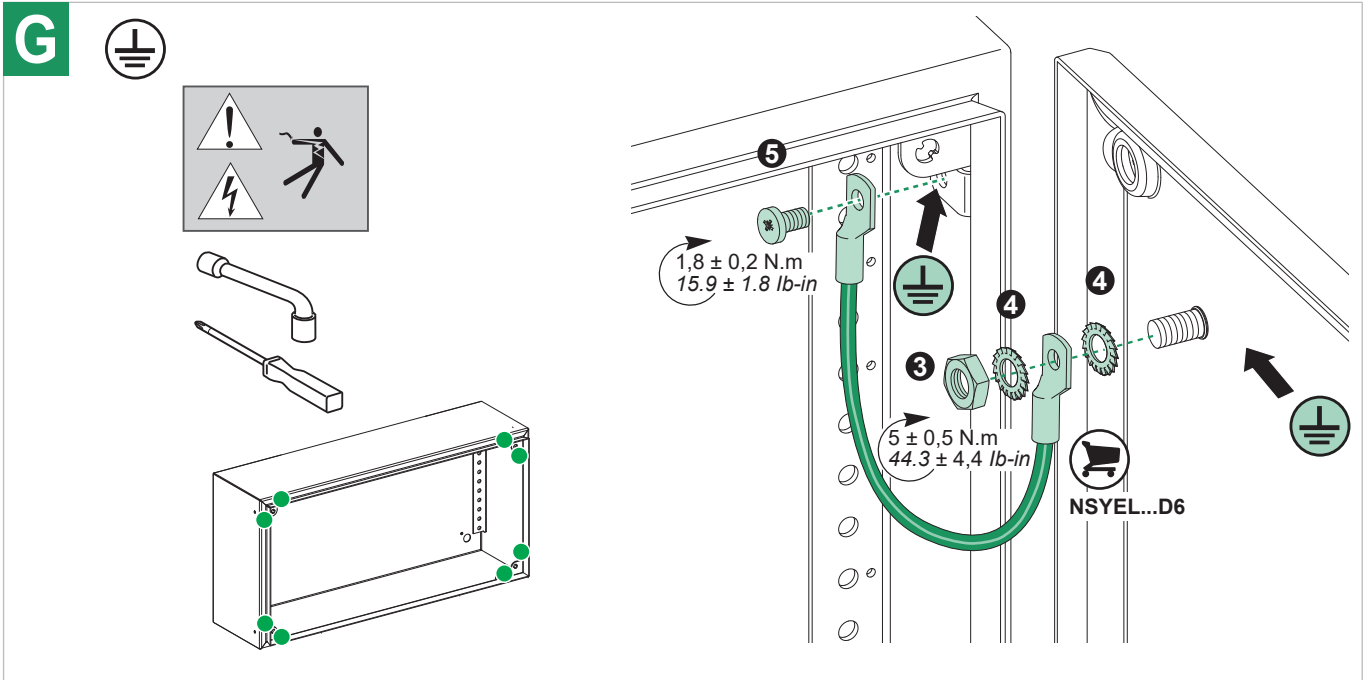
NSYSBM...

1	2	3	4	5	6	7
		H M6 	D D6 	ø5 x 10 		ø10 
x4 x6	x4 x6	x1	x2	x5	x2	x4



To maintain the environmental type rating, all conduit fittings and other components installed in openings made in the enclosures must have its same ratings and only wall fixing bracket kit mode NSYAEFPFSB may be used. When installed as a Type 2 or 3R enclosure, drill drain hole (3.2-6.4 mm (1A/8-1/4 in) diameter) in the lowest part of the bottom wall.





<b>CAUTION / ATTENTION / ATENCIÓN / VORSICHT / ATTENZIONE / CUIDADO / 小心 / ВНИМАНИЕ</b>	
<p><b>HAZARD OF EQUIPMENT DAMAGE</b> Respect the information provided in the instruction to ensure the functioning of the product. Failure to follow these instructions can result in injury or equipment damage.</p>	<p><b>RISQUE DE DETERIORATION DU MATERIEL</b> Respecter les informations fournies sur la notice pour garantir le fonctionnement du produit. <b>Si ces directives ne sont pas respectées, cela peut entraîner des blessures ou des dommages matériels.</b></p>
<p><b>RIESGO DE DETERIORO DEL MATERIAL</b> Respetar la información proporcionada en las instrucciones para garantizar el funcionamiento del producto. El incumplimiento de estas instrucciones puede causar lesiones o daño al equipo.</p>	<p><b>GEFAHR VON MATERIALSCHÄDEN</b> Beachten Sie die Angaben in der Betriebsanleitung zur Verfügung gestellt, um die Funktionsweise des Produkts zu gewährleisten. <b>Die Nichtbeachtung dieser Anweisungen kann Verletzungen oder Sachschäden zur Folge haben.</b></p>
<p><b>RISCHIO DI DANNI ALLE APPARECCHIATURE</b> Rispettare le istruzioni fornite per garantire il funzionamento del prodotto Il mancato rispetto di queste istruzioni può provocare infortuni o danni alle apparecchiature.</p>	<p><b>RISCO DE DETERIORAÇÃO DO MATERIAL</b> Respeitar as informações fornecidas no manual de instruções para assegurar o funcionamento do produto. <b>A não observância destas instruções pode provocar ferimentos pessoais, ou danos no equipamento.</b></p>
<p><b>设备受损风险</b> 为保证正常使用该产品请仔细阅读本产品说明书。 不遵循上述说明可能导致人身伤害或设备损坏。</p>	<p><b>ОПАСНОСТЬ ПОВРЕЖДЕНИЯ ОБОРУДОВАНИЯ</b> Следуйте информации, указанной в инструкции, для гарантии правильного функционирования продукта. Несоблюдение этих инструкций может привести к травме или повреждению оборудования.</p>

**Schneider Electric Industries SAS**

35, rue Joseph Monier  
CS 30323  
F - 92506 Rueil Malmaison Cedex

RCS Nanterre 954 503 439  
Capital social 896 313 776 €  
www.se.com

S1B9729001-02

© 2020 Schneider Electric - Tous droits réservés - All rights reserved.

En raison de l'évolution des normes et du matériel, les caractéristiques indiquées par le texte et les images de ce document ne nous engagent qu'après confirmation par nos services.

As standards, specifications and designs change from time to time, please ask for confirmation of the information given in this publication.

Publication : Schneider Electric  
Réalisation : Schneider Electric  
Impression :



Ce document a été imprimé sur du papier écologique.

This document has been printed on ecological paper.

**Released for Manufacturing**  
Printed on 2020/08/03

06/2020



# SCATTERGOOD & JOHNSON LTD

ELECTRICAL ENGINEERING & FLUID CONTROL DISTRIBUTORS

Est.1899

At Scattergood & Johnson Ltd, we pride ourselves on being a technical distributor to specialist industries.

Working with a range of quality product suppliers across a number of specialist markets, we are not your average 'box shifter' - we are your technical and supply chain partner.

We fully support every product we sell - for free! Our internal team and external sales engineers can answer any product or application question, no matter the complexity.

Backing up this technical ability is a range of 50,000+ products available from stock for nationwide next day delivery (same day if required!), or you can collect what you need from any of our trade counters around the UK.

Select your specialist interest below to learn more about how we can help.



Online, In Branch and On the Road - Scattergood & Johnson Ltd, there when you need us.

# [www.scatts.co.uk](http://www.scatts.co.uk)