

# Safe contact expander



## Safe contact expander

1 or 2 independent channels

4 contact sets per channel



(figure similar)

Article no.	BWU2539	BWU2548
<b>General data</b>		
Type of device	safe contacts, instantaneous	
Number of contact sets per channel	4	
Number of independent channels	2	1
<b>Input</b>		
Signal level	0-signal: < 2,4 V DC 1-signal: 18 ... 26,5 V DC	
Permissible test pulse time	max. 1,5 ms	
Rated current	60 mA per channel	
<b>Output</b>		
Connection	force-guided	
Short circuit protection of output circuits (external)	3 A quick; 2 A slow	
Max. inrush current	20 A for 20 ms	
Electrical life (switching operations)	AC1 (360 S/h) ca. 100 000	
Operate delay / delay time	< 20 ms / <20 ms	
Switching frequency	15 Hz	
Rated impulse voltage	4 kV <sup>1</sup>	
<b>Contact load EDM (1.51, 1.52 and 2.51, 2.52)</b>		
Switching current	max. 20 mA	
<b>Contact load contact set (1.13, 1.14, 1.23, 1.24 and 2.13, 2.14, 2.23, 2.24)</b>		
Switching voltage AC	10 ... 230 V	
Switching voltage DC	10 ... 230 V	
Insulation to input	double insulation	
Switching current	5 mA... 3 A	
<b>Contact load contact set (1.33, 1.34, 1.43, 1.44 and 2.33, 2.34, 2.43, 2.44)</b>		
Switching voltage AC	10 ... 230 V	
Switching voltage DC	10 ... 230 V	
Insulation to input	basic insulation	
Switching current	5 mA... 3 A	
Total current (per channel)	12A (see "Total current through all the contact sets of a channel:")	
Usage category (acc. EN 60347-4-1 / EN 60947-5-1)	AC1: 230 V/3 A (ca. 150 x 10 <sup>3</sup> cycles) AC 15: 230 V/3 A (ca. 80 x 10 <sup>3</sup> cycles) DC 1: 24 V/3 A (ca. 500 x 10 <sup>3</sup> cycles) DC 13: 24 V/3 A/0,1 Hz (ca. 50 x 10 <sup>3</sup> cycles)	
B <sub>10d</sub> (AC15)	1,96 x 10 <sup>6</sup> cycles	
B <sub>10d</sub> (DC13)	780 x 10 <sup>3</sup> cycles	

# Safe contact expander



Article no.	BWU2539	BWU2548
<b>LED displays</b>		
LED CH 1 (green)	safe input 1	
LED CH 2 (green)	safe input 2	–
LED EDM 1 (green)	EDM channel 1	
LED EDM 2 (green)	EDM channel 2	–
<b>Environment</b>		
Overvoltage category	III	
Degree of pollution	2	
Ambient temperature	-20 °C ... 50 °C	
Storage temperature	-40 °C ... 70 °C	
Relative humidity	not condensing	
Mechanical lifetime	approx. 10 x 10 <sup>6</sup> swi	
Protection class (EN 60529)	IP20	
Dimensions (L / W / H in mm)	99 / 22,5 / 114	

<sup>1</sup> Safe isolation, reinforced insulation and 6 kV between A1/A2, 51/52, 43/44, 33/34 and 23/24, 13/14.  
Outputs one below the other have basic insulation.

## Wiring rules

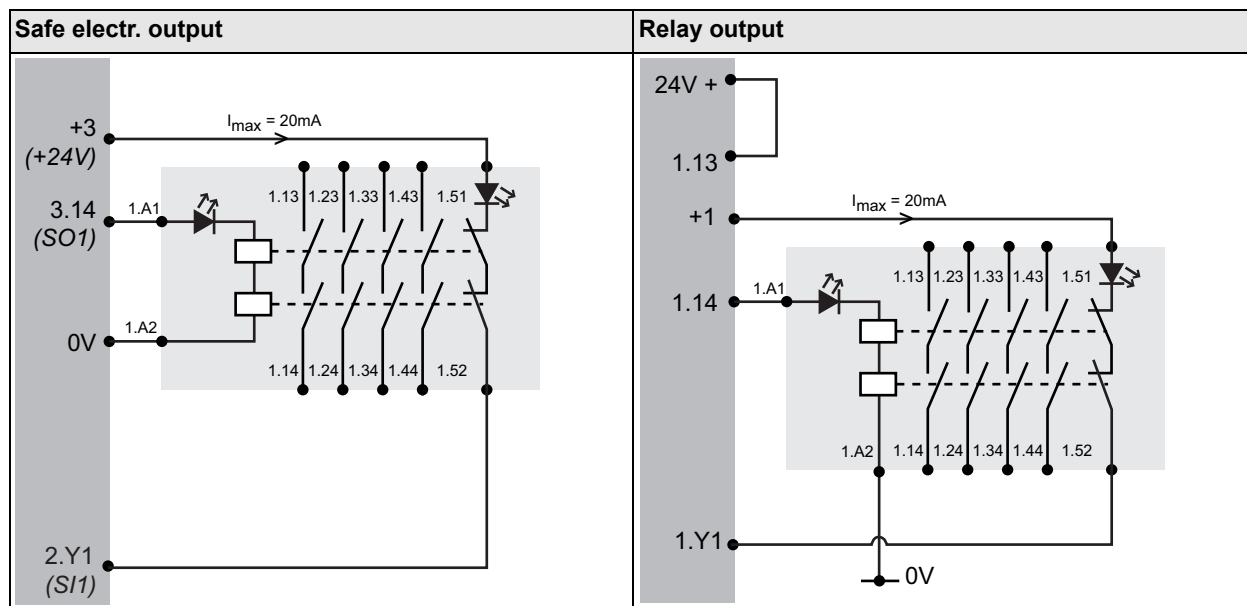
	Push-in terminals
<b>General</b>	
Nominal cross section	2,5 mm <sup>2</sup>
<b>Conductor cross section</b>	
Conductor cross section solid	0,2 ... 2,5 mm <sup>2</sup>
Conductor cross section flexible	0,2 ... 2,5 mm <sup>2</sup>
Conductor cross section flexible, with ferrule	without plastic sleeve: 0,2 ... 2,5 mm <sup>2</sup> with plastic sleeve: 0,25 ... 2,5 mm <sup>2</sup>
2 conductors with same cross section, stranded, with TWIN ferrules	without plastic sleeve: 0,5 ... 1,5 mm <sup>2</sup>
AWG	24 ... 14
Stripped insulation length	10 mm

<b>UL-specifications (UL508) BWU2539, BWU2548</b>	
External protection	An isolated source with a secondary open circuit voltage of $\leq 30 V_{DC}$ with a 3 A maximum over current protection. Over current protection is not required when a Class 2 source is employed.
In general	UL mark does not provide UL certification for any functional safety rating or aspects of the above devices.

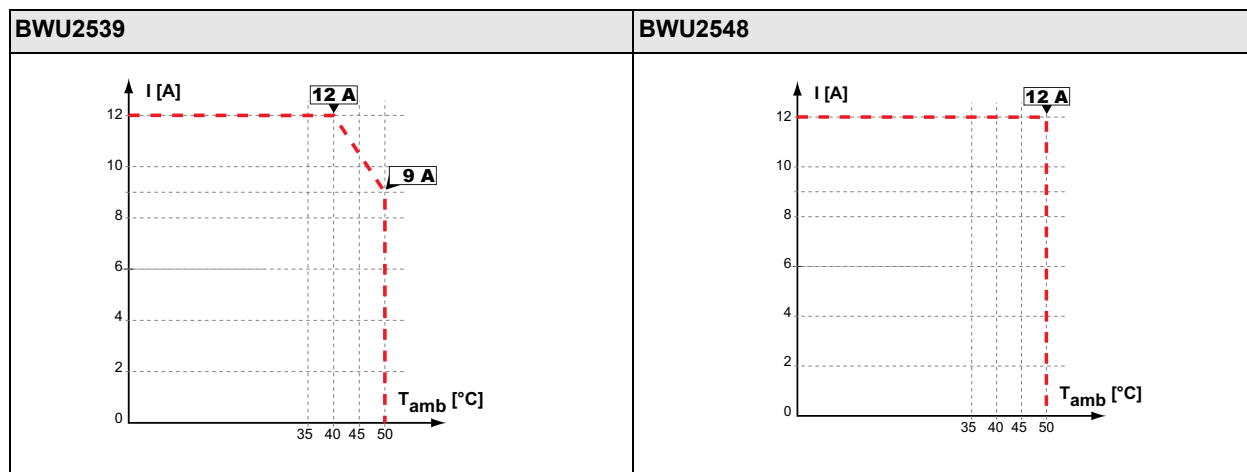
# Safe contact expander



## Connection examples:

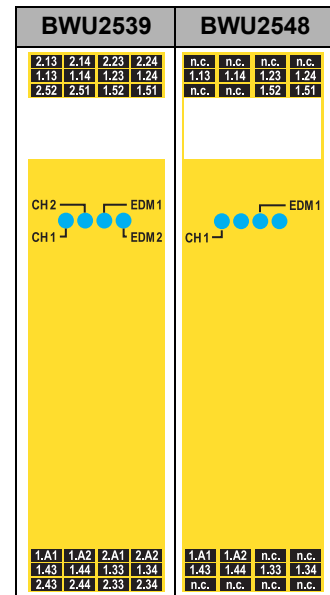
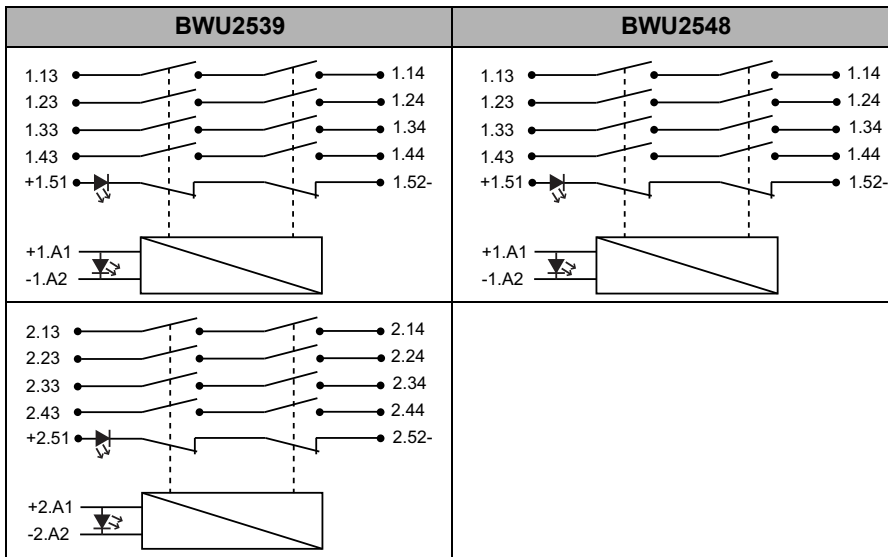


## Total current through all the contact sets of a channel:



BWU2539	BWU2548
output channel 1.1: terminals 1.13, 1.14 output channel 1.2: terminals 1.23, 1.24 output channel 1.3: terminals 1.33, 1.34 output channel 1.4: terminals 1.43, 1.44	
output channel 2.1: terminals 2.13, 2.14 output channel 2.2: terminals 2.23, 2.24 output channel 2.3: terminals 2.33, 2.34 output channel 2.4: terminals 2.43, 2.44	—
EDM (feedback circuit) channel 1: terminals 1.51, 1.52	
EDM (feedback circuit) channel 2: terminals 2.51, 2.52	—
channel 1 working contacts 1.A1, 1.A2	
channel 2 working contacts 2.A1, 2.A2	—

# Safe contact expander





# SCATTERGOOD & JOHNSON LTD

ELECTRICAL ENGINEERING & FLUID CONTROL DISTRIBUTORS

Est.1899

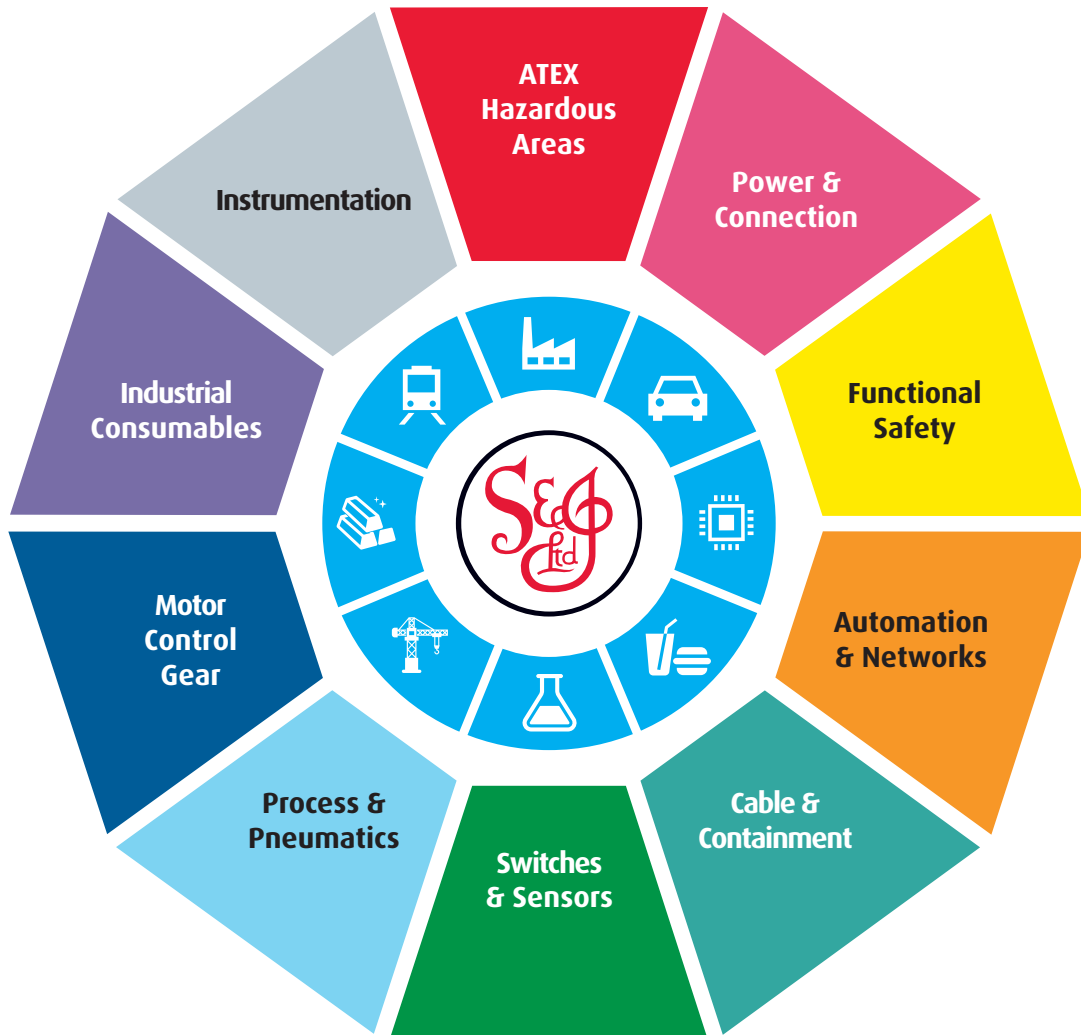
At Scattergood & Johnson Ltd, we pride ourselves on being a technical distributor to specialist industries.

Working with a range of quality product suppliers across a number of specialist markets, we are not your average 'box shifter' - we are your technical and supply chain partner.

We fully support every product we sell - for free! Our internal team and external sales engineers can answer any product or application question, no matter the complexity.

Backing up this technical ability is a range of 50,000+ products available from stock for nationwide next day delivery (same day if required!), or you can collect what you need from any of our trade counters around the UK.

Select your specialist interest below to learn more about how we can help.



Online, In Branch and On the Road - Scattergood & Johnson Ltd, there when you need us.

# [www.scatts.co.uk](http://www.scatts.co.uk)