

ASi-3 motor modules



ASi-3 4I/4O modules for two 24 V motorized rollers

e.g.
Interroll (EC200, EC300 or EC310) or
RULMECA (RDR BL-2) or
Rollex (type 840)

with 2 binary and 2 analog outputs

Mixed input/output slave

Speed setting of ASi parameter

Protection category IP67



(figure similar)



Article no. BWU2398: Control module for two 24 V motorized rollers Interroll (EC200, EC300) or Rollex (type 840)

Article no. BWU2575: Control module for two 24 V motorized rollers Interroll (EC310) or RULMECA (RDR BL-2)

Article no. BWU2765: Control module for two 24 V motorized rollers Interroll (EC310) or RULMECA (RDR BL-2)

Article no. BWU2958: Control module for two 24 V motorized rollers Interroll (EC310) or RULMECA (RDR BL-2), ASi via M12

Article no.	BWU2958	BWU2398	BWU2575	BWU2765
General data				
Motorized rollers	up to 2 x Interroll (EC310) or 2 x RULMECA (RDR BL-2)	2 x Interroll (EC200, EC300) or 2 x Rollex (Typ 840)	2 x Interroll (EC310) or 2 x RULMECA (RDR BL-2)	
Connection				
ASi/AUX connection	M12 ⁽¹⁾	profile cable and piercing		
Periphery connection	M12			
ASi				
Profile	S-7.A.7, ID1 = 7 (fixed)			
Address	AB slave			
Required Master profile	≥M4			
As of ASi specification	3.0			
Operating voltage	30 V (18 ... 31.6 V)			
Max. current consumption	200 mA			
AUX				
Voltage	24 V (18 ... 30 V)			
Max. current consumption	4 A	6 A continuously, 11 A peak		

ASi-3 motor modules



Article no.	BWU2958	BWU2398	BWU2575	BWU2765
Input				
Number	2 x sensor inputs + 2 x motor fault inputs			
Power supply	sensor inputs: out of AUX motor fault inputs: out of AUX	sensor inputs: out of ASi motor fault inputs: out of AUX		
Power supply of attached sensors	120 mA			
Switching threshold	$U_{in} < 5 \text{ V}$ (low) $U_{in} > 10 \text{ V}$ (high)			
Output				
Number (digital)	2			
Number (analog)	2 (depending)			
Power supply	out of AUX (galvanic separation)			
Overload voltage tolerated by reaction (AUX)	35 V-resistant brake resistor compatible			
Max. output current	10 mA per output			
Supply of motors	out of AUX			
	per motor: 3 A continuously, $\sum(\text{motor}) \leq 4 \text{ A}$	per motor: 3 A continuously		
Line protection fuse	no ⁽²⁾	no ⁽⁵⁾	yes, separately for each motor, 3,5 AT, at 7 A (200%) release be- tween 1 s and 120 s, fuse UL certified ⁽⁶⁾	
Display				
LED ASi (green)	on: ASi voltage on off: no ASi voltage			
LED FLT/FAULT (red)	on: no data exchange flashing: peripheral fault ⁽³⁾			on: no data exchange flashing: peripheral fault ⁽³⁾
LED AUX (green)	on: 24 V DC AUX off: no 24 V DC AUX			
LEDs I1, I2 (yellow)	state of inputs I1, I2			
LEDs M1, M2 (yellow)	state of outputs M1 (O1), M2 (O3)			
Environment				
Applied standards	EN 61000-6-2 EN 61000-6-4 EN 60529			
Operating altitude	max. 2000 m			
Operating temperature	-30 °C ... +70 °C ⁽⁴⁾			
Storage temperature	-25 °C ... +85 °C			
Housing	plastic, for screw mounting	plastic, for DIN rail mounting		
Protection category	IP67			
Isolation voltage	$\geq 500 \text{ V}$			
Weight	100 g			
Dimensions (W / H / D in mm)	45 / 116,5 / 47,5	45 / 80 / 42		

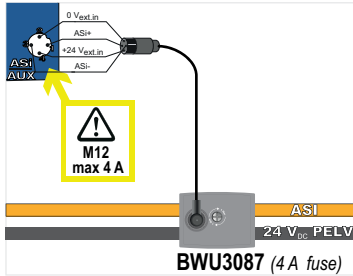
ASi-3 motor modules

(1) **Line protection:**

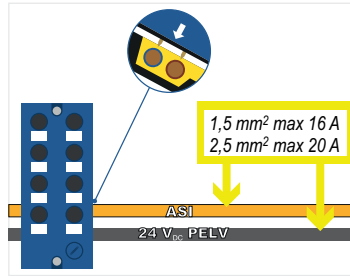
If the module is supplied via a M12 connection with A or B coding, it may only be used with a current load of max. 4 A per pin in acc. with IEC 61076-2-101 and IEC 61076-2-109. A fused tap is recommended. There is no such limitation for modules supplied via piercing contacts.

Connection to ASi and AUX

via M12



via piercing contacts



(2) The motor module is designed to supply the 24 V directly to the motor. At high currents or surges as they occur for example at braking, the module will not be damaged.

The cable protection should be realized outside the motor module with additional measures.

external line protection at power supply cable



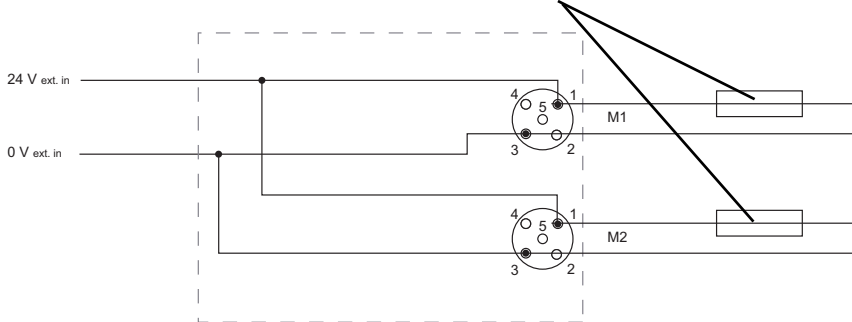
(3) see table „Peripheral fault indication“

(4) Temperature range up to -30°C from Ident.No. ≥16386 (BWU2958); Ident.No. ≥16387 (BWU2398); Ident.No. ≥16385 (BWU2575); Ident.No. ≥16384 (BWU2765).

(5) The motor module is designed to supply the 24 V directly to the motor. At high currents or surges as they occur for example at braking, the module will not be damaged.

The cable protection should be realized outside the motor module with additional measures.

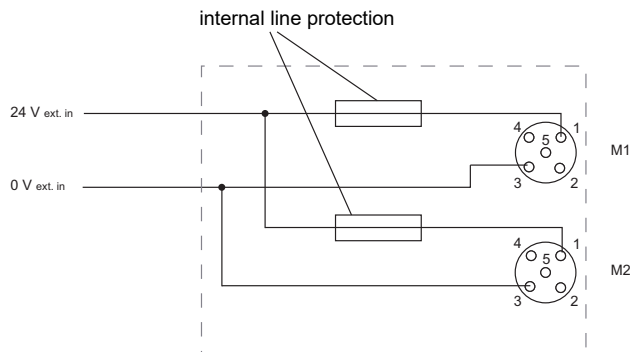
external line protection at motor connection cable



ASi-3 motor modules



(6) In the motor module UL approved fuses are placed before each of the motor supply connections. A short circuit in the motor causes this fuse to blow, protecting the connection cable between the module and motor. After blowing the fuse the module is no longer functional and needs to be replaced. The characteristics of the fuse must be checked against the motor data before using the module. The protection circuit in the module allows a very simple protection of the motor cables. The fuse for the cable protection is a slow-blow one; without short circuit the robust behavior of the module remains.



Configuration analog-value O1/O3					
				BWU2398	BWU2575 / BWU2765 / BWU2958
P0	P1	P2	O1/O3	Pin 5	Pin 5
0	0	0	0	0 V	0 V
			1	2,42 V	2,3 V
1	0	0	0	0 V	0 V
			1	2,65 V	3,4 V
0	1	0	0	0 V	0 V
			1	2,90 V	4,5 V
1	1	0	0	0 V	0 V
			1	3,24 V	5,6 V
0	0	1	0	0 V	0 V
			1	3,70 V	6,7 V
1	0	1	0	0 V	0 V
			1	4,26 V	7,8 V
0	1	1	0	0 V	0 V
			1	4,98 V	8,9 V
1	1	1	0	0 V	0 V
			1	6 V	10 V

Bit assignment		
Data bit		Function
DI0	I1	Input I1
DI1	I2	Input I2
DI2	I3	State of (motor-fault) motor 1
DI3	I4	State of(motor-fault) motor 2
DO0	O1	Start/Stop motor 1
DO1	O2	Direction of rotation motor 1
DO2	O3	Start/Stop motor 2
DO3	O4	Direction of rotation motor 2

ASi-3 motor modules

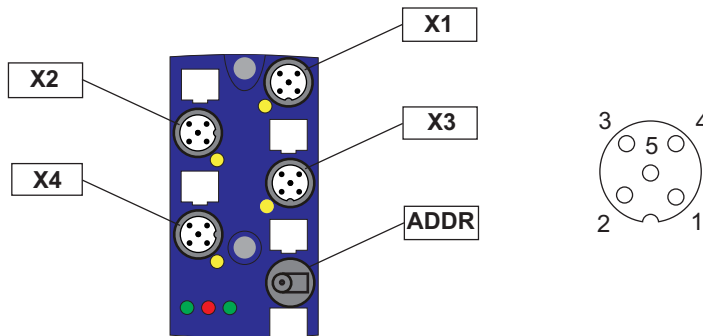
UL-specifications (UL508) BWU2398, BWU2575, BWU2765, BWU2958	
External protection	An isolated source with a secondary open circuit voltage of $\leq 30 V_{DC}$ with a 3 A maximum over current protection. Over current protection is not required when a Class 2 source is employed.
In general	UL mark does not provide UL certification for any functional safety rating or aspects of the above devices.

Article no.	Peripheral fault indication			
	Overload output	AUX voltage missing	Overload sensor supply	at least 1 motor fuse is blown
BWU2398	•	•	-	-
BWU2575	•	•	-	-
BWU2765	•	•	•	•
BWU2958	•	•	-	-

Pin assignment

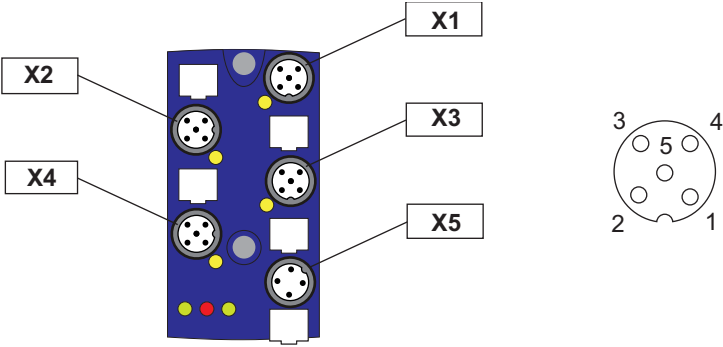
Signal name	Explanation
Ix	Digital input x
24 V _{ext out}	Power supply, out of external voltage, positive pole (AUX, actuator supply)
0 V _{ext out}	Power supply, out of external voltage, negative pole (AUX, actuator supply)
24 V _{ext in}	Input voltage, positive pole (AUX+)
0 V _{ext in}	Input voltage, negative pole (AUX-)
ASi +, ASi -	connection to ASi bus
24 V _{out of ASi}	Power supply, out of ASi, positive pole (sensor supply)
0 V _{out of ASi}	Power supply, out of ASi, negative pole (sensor supply)
n.c.	not connected

Connections							
Article no.	M12 connection	Name	Pin 1	Pin 2	Pin 3	Pin 4	Pin 5
BWU2398 BWU2575	X1	I1 (Input 1)	24 V _{out of ASi}	I1	0 V _{out of ASi}	I1	n.c.
	X2	I2 (Input 2)	24 V _{out of ASi}	I2	0 V _{out of ASi}	I2	n.c.
	X3	M1 (Motor 1)	24 V _{ext out}	O2 (0: 0 V; 1: 24 V)	0 V _{ext out}	I3 (0: 0 V; 1: 24 V)	Analog value O1
	X4	M2 (Motor 2)	24 V _{ext out}	O4 (0: 0 V; 1: 24 V)	0 V _{ext out}	I4 (0: 0 V; 1: 24 V)	Analog value O3
	ADDR (dummy plug)	connection for ASi addressing device					
BWU2765	X1	I1 (Input 1)	24 V _{out of ASi}	n.c.	0 V _{out of ASi}	I1	n.c.
	X2	I2 (Input 2)	24 V _{out of ASi}	n.c.	0 V _{out of ASi}	I2	n.c.
	X3	M1 (Motor 1)	24 V _{ext out}	O2 (0: 0 V; 1: 24 V)	0 V _{ext out}	I3 (0: 0 V; 1: 24 V)	analog value O1
	X4	M2 (Motor 2)	24 V _{ext out}	O4 (0: 0 V; 1: 24 V)	0 V _{ext out}	I4 (0: 0 V; 1: 24 V)	analog value O3
	ADDR (dummy plug)	connection for ASi addressing device					



ASi-3 motor modules

Connections							
Article no.	M12 connection	Name	Pin 1	Pin 2	Pin 3	Pin 4	Pin 5
BWU2958	X1	I1 (Input 1)	24 V _{ext out}	n.c.	0 V _{ext out}	I1	n.c.
	X2	I2 (Input 2)	24 V _{ext out}	n.c.	0 V _{ext out}	I2	n.c.
	X3	M1 (Motor 1)	24 V _{ext out}	O2 (0: 0 V; 1: 24 V)	0 V _{ext out}	I3 (0: 0 V; 1: 24 V)	analog value O1
	X4	M2 (Motor 2)	24 V _{ext out}	O4 (0: 0 V; 1: 24 V)	0 V _{ext out}	I4 (0: 0 V; 1: 24 V)	analog value O3
	X5	ASi / AUX	ASi+	0 V _{ext in}	ASi-	24 V _{ext in}	–



Accessories:

- ASi substructure module for 4-channel module in 45 mm-housing (article no. BW2349)
- ASi substructure module (CNOMO) for 4-channel module in 45 mm-housing (article no. BW2350)
- Protection caps for not used M12 sockets (article no. BW2368)
- Sealing profile IP67 (IDC plug), 45 mm (art. no. BW3283)
- Passive Distributor ASi/AUX to 2 x M12 socket, internal protection via changeable 4 A slow-blow fuses (art. no. BWU3087)
- It is recommended to use pre-assembled cables to connect the power source with the module.
- It is recommended to use pre-assembled cables to connect the motors to the module.



SCATTERGOOD & JOHNSON LTD

ELECTRICAL ENGINEERING & FLUID CONTROL DISTRIBUTORS

Est.1899

At Scattergood & Johnson Ltd, we pride ourselves on being a technical distributor to specialist industries.

Working with a range of quality product suppliers across a number of specialist markets, we are not your average 'box shifter' - we are your technical and supply chain partner.

We fully support every product we sell - for free! Our internal team and external sales engineers can answer any product or application question, no matter the complexity.

Backing up this technical ability is a range of 50,000+ products available from stock for nationwide next day delivery (same day if required!), or you can collect what you need from any of our trade counters around the UK.

Select your specialist interest below to learn more about how we can help.



Online, In Branch and On the Road - Scattergood & Johnson Ltd, there when you need us.

www.scatts.co.uk