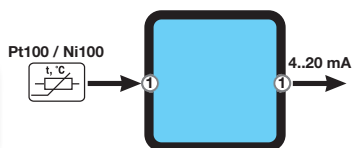




K120RTD

PT100, NI100 LOOP POWERED CONVERTER



K120RTD is a converter for Thermoresistance PT100/Ni100 with 2,3,4 wires and convert / isolate it into 4..20mA loop powered signal. It's completely configurable through dip switches or PC software. The output signal is not isolated from the input one.

TECHNICAL SPECIFICATIONS

General Data

Power supply	5..30 Vdc
Power consumption	< 660 mW
Isolation	-
Transducer Power Supply	-
Accuracy	0,1%
Response time	About 220 ms
Status Indicators	Power supply, error
Setting	Dip Switches EASY LP (PC software)
Mounting	35 mm DIN rail guide
Protection Degree	IP20
Operating Temperature	-20..+65 °C
Dimension (W x H x D)	6,2 x 93 x 102,5 mm

Input

Channel Numbers	1
RTD	Pt100, Ni100 Measure 2, 3, 4 wires

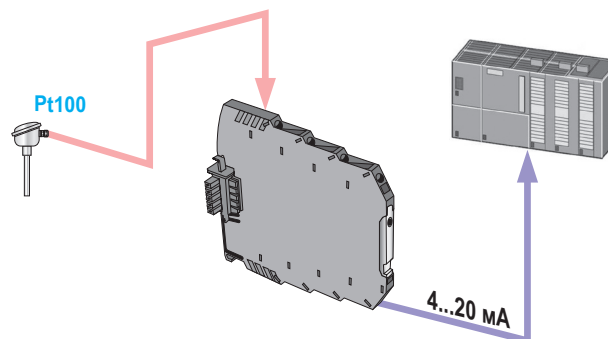
Output

Channel Numbers	1
Current	4...20mA (loop powered)

Standard

Approval	CE
Norms	EN 50081-2; EN 55011; EN 50082-2; EN 61000-2-2/4; EN 50140/141; EN 61010-1

APPLICATION NOTE



ORDER CODES

Code	Description
K120RTD	Pt100, Ni100 loop powered converter

ACCESSORIES & SOFTWARE



EASY USB
USB ↔ UART TTL CONVERTER
pg. 60



EASY_LP
Programming software
pg. 114

SIMILAR PRODUCTS



Z109REG2
Universal converter to DC current/voltage isolator converter with alarm output
pg. 78



T121
loop powered universal transmitter
pg. 117



K121
Loop powered universal converter
pg. 102



K109PT1000
PT1000 to DC current/voltage isolator/converter
pg. 108



SCATTERGOOD & JOHNSON LTD

ELECTRICAL ENGINEERING & FLUID CONTROL DISTRIBUTORS

Est.1899

At Scattergood & Johnson Ltd, we pride ourselves on being a technical distributor to specialist industries.

Working with a range of quality product suppliers across a number of specialist markets, we are not your average 'box shifter' - we are your technical and supply chain partner.

We fully support every product we sell - for free! Our internal team and external sales engineers can answer any product or application question, no matter the complexity.

Backing up this technical ability is a range of 50,000+ products available from stock for nationwide next day delivery (same day if required!), or you can collect what you need from any of our trade counters around the UK.

Select your specialist interest below to learn more about how we can help.



Online, In Branch and On the Road - Scattergood & Johnson Ltd, there when you need us.

www.scatts.co.uk