

R-16DI-8DO

16-CH DIGITAL INPUTS, 8-CH DIGITAL OUTPUTS ETHERNET MODULE

Highlights

- **Nr.16 PNP / NPN digital inputs configurable also as counters @ 32 bit max 5 KHz**
- **Nr.8 Relay digital outputs max 30 V max 1 A**
- **Nr.2 10/100 Mbps Ethernet ports, Nr.1 RS485 port, Nr.1 Micro USB port**
- **Programming via Micro USB port or Ethernet web server and Seneca Studio**
- **Multi-device connection in Ethernet daisy chain mode with Fault-bypass (active connection between the two Ethernet ports in case of power failure)**
- **Mirror I / O function (signal duplication) in Peer To Peer mode without the need for a Master**
- **ModBUS Pass Through function for Modbus Ethernet-Serial conversion**
- **Ideal for high I/O density applications with built-in Ethernet networking**



R-16DI-8DO is a mixed digital module with dual Ethernet ports 10/100 Mbps and programming Micro USB front port.

The instrument is designed for flexible wiring needs, reduced installation spaces, high density I / O applications with networking Integrated Ethernet.

R-16DI-8DO counts 16 PNP / NPN digital inputs also configurable as totalizers @ 32 bits and 8 digital relay outputs with maximum range 30 V / 1 A.

All totalizers are stored in non-volatile memory (FeRAM). The module is equipped with isolation between inputs, outputs and remaining low voltage circuits equal to 1.500 Vac. The configuration can take place via Seneca Studio software and web server with support HTML5. IP address and firmware version associated with the single module can be identified on a LAN via Seneca Studio.

R-16DI-8DO supports both ModBUS TCP-IP and serial communication RS485 with ModBUS RTU protocol.

R-16DI-8DO can be connected in daisy chain Ethernet mode with fault-by-pass to ensure Ethernet connection even in the case failure of a module in the chain. Digital signals can be duplicated on one or more modules in Peer to Peer mode (I/O functionality mirror). Another advanced feature is "ModBUS Passthrough", thanks to which the module can divert requests from RS485 from Modbus TCP-IP behaving, in fact, as a gateway.

 **SENECA**
www.seneca.it

R-16DI-8DO



16-CH DIGITAL INPUTS, 8-CH DIGITAL OUTPUTS ETHERNET MODULE

Modbus **ETHERNET**

TECHNICAL DATA

GENERAL DATA

Power supply	10..40 Vdc; 19..28 Vac
Auxiliary voltage output	12 Vdc / 40 mA
Max power consumption	3 W
Max isolation	1,5 kVac
LED status indicators	Power supply Inputs / Outputs status STS (IP address / DHCP) RX / TX (Data receiving / transmission on RS485) Ethernet TRF / LNK (Data packet transit / Ethernet connection)
Protection degree	IP20
Operating temperature	-20..+65°C
Dimension (wxhxd)	106 x 90 x 32 mm
Weight	170 g
Case	Materiale PC / ABS autoestinguente UL94-V0, colore nero
Connection	Terminal blocks 3,5 mm pitch, Micro USB connector, RJ45 dual connector
Installation	On DIN EN 60715 rail, wall / panel mounting
Settings	SENECA Studio configurator Built-in Web Server
Special functions	Ethernet Daisy Chain dual connection LAN fault bypass (active connection between 2 Ethernet ports in case power failure) Max 32 Peer to Peer Rules (I/O Mirror) without Master unit Counters with frequency, TON, TOFF, period measurement Modbus Passthrough (TCP-IP to RS485) IP, MAC, firmware identification and setting by SDD tool FeRAM backup memory for counters
Data memory	FeRAM backup memory for counters

COMMUNICATION

Interfaces	Nr.2 Ethernet ports (with LAN fault-bypass function) 10/100 BaseT on RJ45 Nr.1 RS485 port on terminals Nr.1 Micro USB port (programming)
Data rate	Up to 115.200 bps (RS485) / 100 Mbps (TCP-IP)
Protocols	ModBUS RTU, ModBUS TCP-IP, http
Ethernet communication cable between devices	CAT5 or CAT5e unshielded
ModBUS communication	Up to 64 nodes without repeater and max speed 115 kbps

INPUT DATA

Channels	Nr.16 Digital input
Type	PNP with internal / external power supply, NPN with internal power supply
Voltage	Soglia OFF / ON: <8 V; > 9 V
Max frequency	5 kHz, 32 bit retentive counters
Current consumption	2,25 mA
Conformity	IEC 6113-2 Type 1 & 3

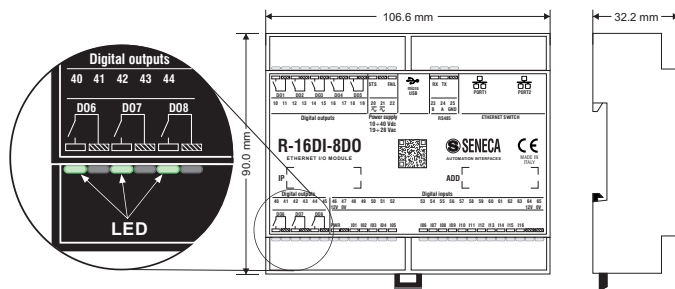
OUTPUT DATA

Channels	Nr. 8 digital outputs, isolated among them
Type	SPST free contact relay
Max voltage / current	30 Vac-dc / 1 A
Response time	20 ms (P2P)
Contacts duration	5*10 ⁶ mechanical operations / 10 ⁵ operations with load

STANDARD

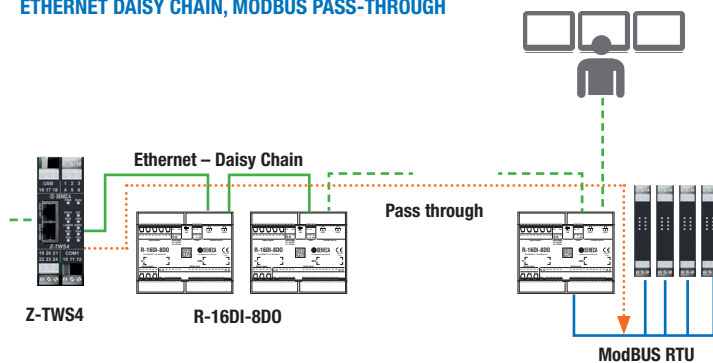
Approvals	CE
Norms	EN61000-6-4, EN61000-6-2, EN61010-1

MODULE LAYOUT

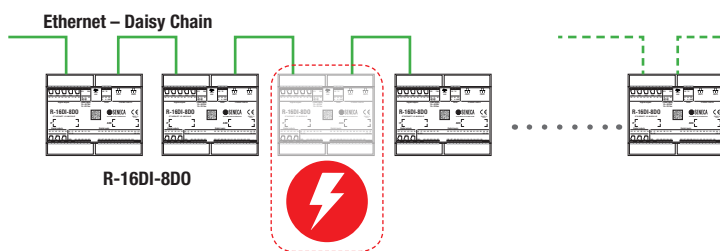


CONNECTION EXAMPLE

ETHERNET DAISY CHAIN, MODBUS PASS-THROUGH



FAULT BY-PASS



Ethernet connection and data transmission are active even in case of failure or power failure of a module in the chain. In this way the availability and continuity of the service are guaranteed.

ORDER CODES

Code	Description
R-16DI-8DO	16-Ch digital inputs / 8-Ch relay digital outputs, Modbus TCP-IP / Modbus RTU
CE-RJ45-RJ45-C	Crossover Ethernet cable (RJ45-RJ45)
CE-RJ45-RJ45-R	Straight-thru Ethernet cable (RJ45-RJ45)
SENECA STUDIO	Configuration suite
SDD	SENECA Discovery Device, IP scanner



Via Austria, 26 • 35127 Padova - (I) - Tel. +39 049 87.05.359
Fax +39 049 87.06.287 • www.seneca.it • info@seneca.it

The material in this document is for information only and is subject to change without notice. While reasonable efforts have been made in the preparation of this document to assure its accuracy, SENECA assumes no liability resulting from errors or omissions, or from the use of the information contained herein.



SCATTERGOOD & JOHNSON LTD

ELECTRICAL ENGINEERING & FLUID CONTROL DISTRIBUTORS

Est.1899

At Scattergood & Johnson Ltd, we pride ourselves on being a technical distributor to specialist industries.

Working with a range of quality product suppliers across a number of specialist markets, we are not your average 'box shifter' - we are your technical and supply chain partner.

We fully support every product we sell - for free! Our internal team and external sales engineers can answer any product or application question, no matter the complexity.

Backing up this technical ability is a range of 50,000+ products available from stock for nationwide next day delivery (same day if required!), or you can collect what you need from any of our trade counters around the UK.

Select your specialist interest below to learn more about how we can help.



Online, In Branch and On the Road - Scattergood & Johnson Ltd, there when you need us.

www.scatts.co.uk