

R-KEY-LT

1-PORT MODBUS RTU/ASCII GATEWAY

Highlights

- **Gateway Operating Mode: from ModBus TCP-IP to Modbus RTU / ASCII; from Modbus RTU / ASCII to Modbus TCP-IP**
- **Traffic monitoring on Web Server**
- **Nr.1 Fast Ethernet port 10/100 Tx, front connector RJ45**
- **Max 8 Client ModBUS TCP**
- **Up to 10 ModBUS TCP Servers**
- **Nr. 1 serial port RS232 / RS485, baud rate max 115 kbps**
- **Flexible programming via web server or software tools**
- **Operating temperature: -20 .. + 70 ° C**
- **DIN rail or wall mounting**

R-KEY-LT is a compact and reliable Modbus gateway that converts from Modbus TCP-IP protocol to Modbus RTU / ASCII and vice versa. It supports up to 8 TCP-IP Modbus clients simultaneously and 10 Modbus TCP-IP servers.

Through this model, serial Modbus slave devices can be integrated into an existing TCP-IP Modbus network as well as Modbus TCP-IP slave devices can be made accessible to serial master.

R-KEY-LT can be configured through web server and software tools.

The module has Vac / dc power on the same hardware, 1,5 kVac isolation, extended temperature range. The device can be powered also by a 230 Vac power supply unit.



SENECA
www.seneca.it

R-KEY-LT



1-PORT MODBUS RTU/ASCII GATEWAY

TECHNICAL DATA

GENERAL DATA

Power Supply	10..40 Vdc; 19..28 Vac
Max power consumption	1 W
Ethernet port isolation	1,5 kVAc
LED Status indicators	Power supply Rx-Tx serial communication Ethernet link / traffic
Pollution degree	2
Protection degree	IP20
Operating temperature	-20..+70°C
Dimension (wxhxd)	32 x 110 x 52 mm
Case	PC/ABS UL94-V0 self-extinguish RAL 7035 grey color
Weight	80 g
Connections	Removable screw terminals 7/2 ways, step 5 mm
Mounting	DIN rail (IEC EN 60715) or wall mount

COMMUNICATION

Ethernet port	Nr 1 Fast Ethernet 10/100 Tx port, RJ45 connectors Up to 8 TCP-IP Clients / Up to 10 TCP/IP Servers
Serial port	Nr. 1 RS232 / RS485 switchable serial port, max baud rate 115kbps
Supported protocols	ModBUS TCP-IP, ModBUS RTU, Modbus ASCII
Ethernet to Serial	Max 8 ModBUS TCP clients
Serial to Ethernet	Max 10 ModBUS TCP servers

OPERATING MODE

ModBUS Gateway	From ModBUS TCP-IP to Modbus RTU/ASCII From Modbus RTU/ASCII to Modbus TCP-IP
Traffic monitoring	Yes by webservice

CPU

Processor	ARM 32 bit
-----------	------------

SETTINGS

Web Server	Yes (HTTP server with PHP e CGI support; basic authentication security (login/password);
DIP switch	Yes (RS485, IP)
Software tools	SENECA Discovery Device

STANDARDS

Approvals	CE
Norms	EN61000-6-4 EN61000-6-2 EN61010-1

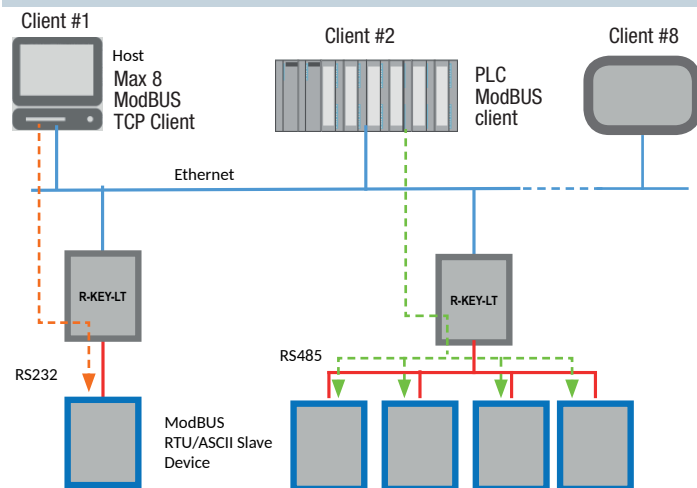
ORDER CODES

Code	Description
GATEWAY	
R-KEY-LT	1-Port Modbus RTU/ASCII Gateway
ACCESSORIES	
ALIM-MY2	Power supply unit 230 V / 12 V
CE-RJ45-RJ45-R	Straight-thru Ethernet cable (RJ45-RJ45), 1,5 m
SOFTWARE	
SDD	SENECA Discovery Device

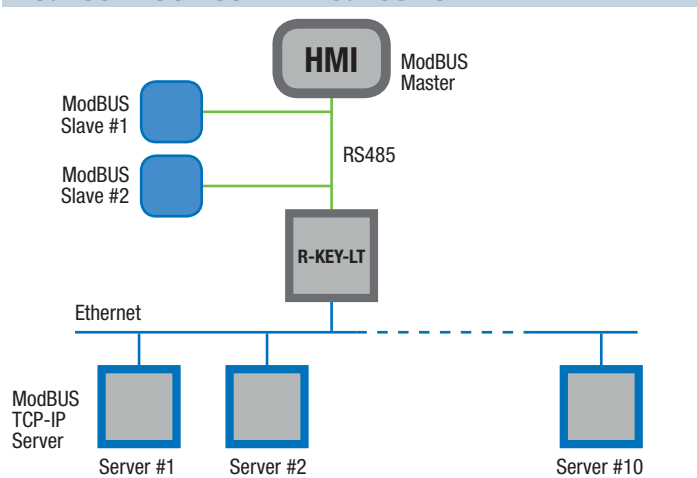
For further information please visit www.seneca.it

APPLICATION NOTE

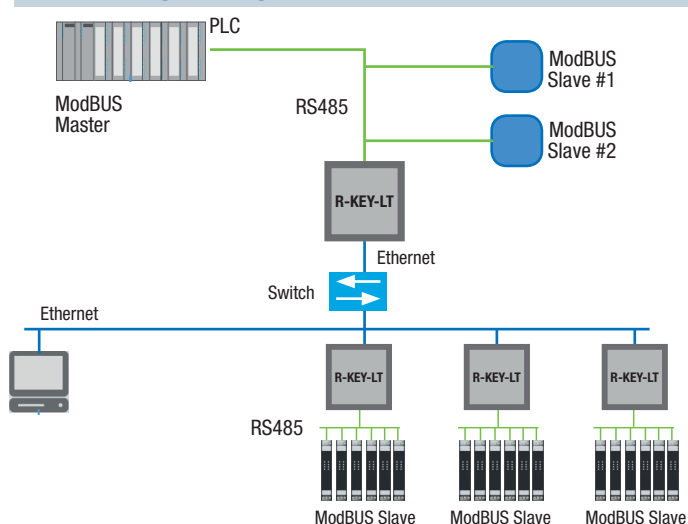
ModBUS TCP → ModBUS RTU / ASCII



ModBUS RTU / ASCII → ModBUS TCP



EXTENDED SERIAL OVER ETHERNET



Via Austria, 26 • 35127 Padova - (I) - Tel. +39 049 87.05.359
 Fax +39 049 87.06.287 • www.seneca.it • info@seneca.it

No liability for the contents of this documents can be accepted. Use the concepts, examples and other content at your own risk. There may be errors and inaccuracies in this document, that may of course be damaging to your system. Proceed with caution, and although this is highly unlikely, the author(s) do not take any responsibility for that. Prices, literature only & subject to change without notice.



SCATTERGOOD & JOHNSON LTD

ELECTRICAL ENGINEERING & FLUID CONTROL DISTRIBUTORS

Est.1899

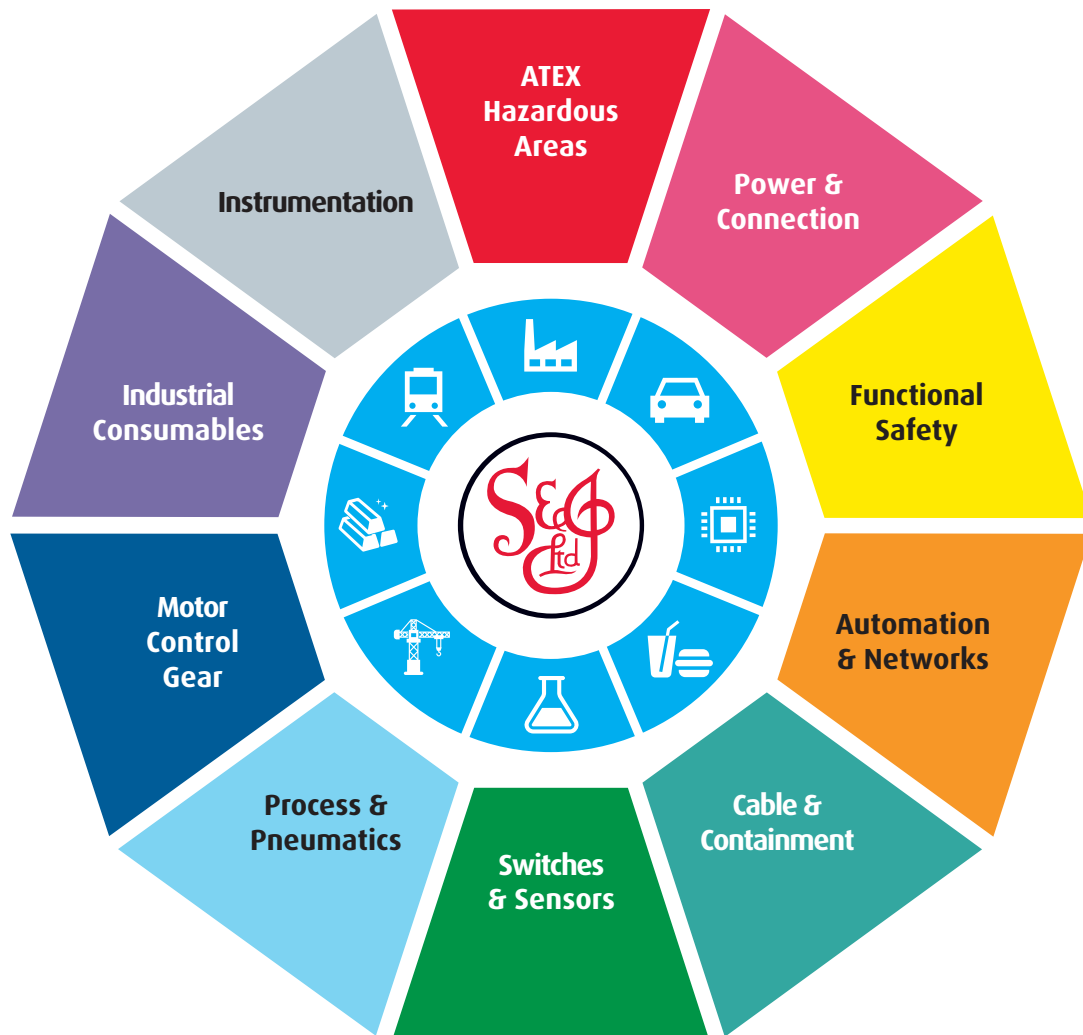
At Scattergood & Johnson Ltd, we pride ourselves on being a technical distributor to specialist industries.

Working with a range of quality product suppliers across a number of specialist markets, we are not your average 'box shifter' - we are your technical and supply chain partner.

We fully support every product we sell - for free! Our internal team and external sales engineers can answer any product or application question, no matter the complexity.

Backing up this technical ability is a range of 50,000+ products available from stock for nationwide next day delivery (same day if required!), or you can collect what you need from any of our trade counters around the UK.

Select your specialist interest below to learn more about how we can help.



Online, In Branch and On the Road - Scattergood & Johnson Ltd, there when you need us.

www.scatts.co.uk