



**Z-4AI**  
4-CH ANALOG INPUT MODULE/  
RS485 MODBUS RTU



**TECHNICAL DATA**

**GENERAL DATA**

Power Supply	10..40 Vdc / 19..28 Vac / 50-60 Hz
Power Consumption	0,5 W
Isolation	1.500 Vac (3 way)
Power Transducers	-
Status Indicators	Power supply Error Data transmission Data reception
Protection Degree	IP20

**THERMOMECHANICAL FEATURES**

Operating Temperature	-10..+65°C
Dimension	17,5 x 100 x 112 mm
Weight	About 140 g
Housing	Nylon 6 with 30% glass-fiber, V0 self-extinguished class
Connections	Removable terminals block, plug in connectors, max wire size 2.5 mm <sup>2</sup>
Mounting	35 mm DIN rail guide 46277

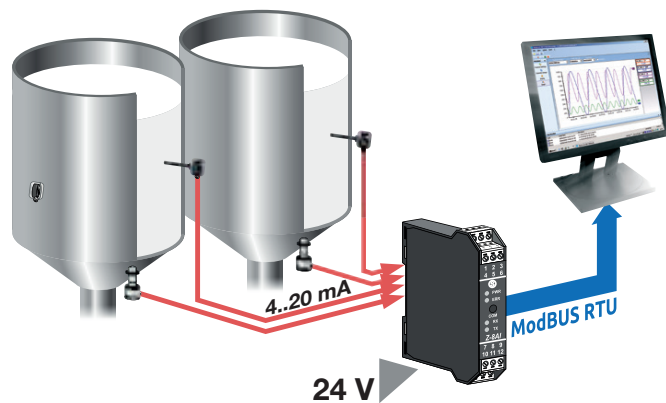
**COMMUNICATION, PROCESSING, MEMORY**

Interfaces	2 wires RS485 RS232 (DB9 Jack stereo 3.5 mm)
Speed	Up to 115.200 bps
Protocol	ModBUS RTU slave
Communication Time	< 10 ms (@ 38400 baud)
Distance	up to 1.200 m
Connectivity	Max 32 nodes
Data Memory	EEPROM for the configuration parameters, retention time 10 years

**SIGNALS, MEASUREMENT; CONFIGURATIONS, NORMS**

Channels	4
Type	Programmable bipolar input voltage(±2,5 Vdc, ±10 Vdc, impedance >100 kΩ)or current (±20mA)
Resolution	16 bit
Accuracy	0.1%
Thermal Drift	0,01%/°C
Programming	Z-NET4 (IEC 61131 software) EASY SETUP(plug&play software) DIP switches
Norms & Approvals	CE, EN50081-2, EN 55011, EN 50082-2, EN 61000-2-2/4, EN 50140/141, EN 61010-1, EN 60742

**APPLICATION EXAMPLE**



**ORDER CODES**

Code	Description
Z-4AI	4-CH analog input module/ RS485 MODBUS RTU
Software	pag. 41
Accessories	pag. 45

Technical data, diagrams and drawings in this catalog are indicative only and not binding



# SCATTERGOOD & JOHNSON LTD

ELECTRICAL ENGINEERING & FLUID CONTROL DISTRIBUTORS

Est.1899

At Scattergood & Johnson Ltd, we pride ourselves on being a technical distributor to specialist industries.

Working with a range of quality product suppliers across a number of specialist markets, we are not your average 'box shifter' - we are your technical and supply chain partner.

We fully support every product we sell - for free! Our internal team and external sales engineers can answer any product or application question, no matter the complexity.

Backing up this technical ability is a range of 50,000+ products available from stock for nationwide next day delivery (same day if required!), or you can collect what you need from any of our trade counters around the UK.

Select your specialist interest below to learn more about how we can help.



Online, In Branch and On the Road - Scattergood & Johnson Ltd, there when you need us.

# [www.scatts.co.uk](http://www.scatts.co.uk)