

Z109REG2-1

HIGH PERFORMANCE UNIVERSAL CONVERTER, PROGRAMMABLE VIA MICROUSB/APP

Highlights

- Power Supply Vac/dc
- Power supply, 2-wire technique
- Selectable input V, mA, Ohm, thermocouple (TC), thermoresistance (RTD)
- Selectable output mA (active/passive), V
- Alarm relay output (spst) / strobe input to enable analog output
- Sampling frequency from 240 sps (@11bit+sign resolution) to 15 sps (@15 bit+sign resolution)
- Isolation 1.500 Vac at 3-ways power supply / input / output
- Setting via DIP switches, software or APP
- Micro USB connector (front side)
- Operating temperature -10...+60°C
- UL Certification

Z109REG2-1 is an advanced universal converter able to manage all analog signals (mA, V, PT100, Pt1000, Pt500, Ni100, TCs, Ohm) and convert / isolate it into mA/V standard signals.

The device can be configured through dip-switches, PC software, handheld device or via mobile app. A digital contact is available as ALARM or STROBE (multiplexing). A 3-way galvanic isolation among Power supply // input // output circuits assures the integrity of your datas.

The module has a Micro USB connector on the front side and can be configured by software or specific App for Android devices setting: beginning and end scale, additional input types, square root extraction, filter, burn-out etc.



Mobile Phone with
USB OTG support



SENECA
www.seneca.it

Z109REG2-1



HIGH PERFORMANCE UNIVERSAL CONVERTER, PROGRAMMABLE VIA MICROUSB/APP

TECHNICAL DATA

GENERAL DATA

Power Supply	10..40 Vdc; 19..28 Vac
Power Transducers	Active input @ 2 wires (min 20 Vdc)
Power Consumption	2,5 W (max) - 1,6 W (24 Vdc, 20 mA)
Isolation	3.750 Vac (power supply / input / output)
Protection	Against pulse overvoltages: 400 W /ms
Protection degree	IP20
LED status indicators	Power Supply - Error - Alarm
Response time	35 ms (11 bit)..140 ms (16 bit) 35
Interfaces	Micro USB
Accuracy class	0,10%
Thermal drift	0.01%/K
Linearity	0,05% / 0.4%
Setting	DIP switch - Software (EASY SETUP) - App (EASY SETUP)
Operating temperature	-20..+60°C
Dimension	17,5 x 100 x 112 mm
Connessioni	Screw removable terminals 2,5 mm2
Enclosure	Nylon 6 with 30% fiber glass
Mounting	Guida DIN 35 mm (IEC/EN 60175)
Weight	200 g
Approvals	CE, UL
Norms	EN 61000-6-4, EN 61000-6-2, EN 61010-1

INPUT DATA

Channels	1 analogico, 1 strobe
Type	<ul style="list-style-type: none"> VOLTAGE (mV, V): Bipolar from 75 mV to 20 V, resolution 15 bit + sign CURRENT (mA): Bipolar up to 20 mA, resolution 1 µA RTD: Pt100, Pt500, Pt1000, Ni100, KTY81, KTY84, NTC; 3-4 wires measure; scalw: -200..600 °C, resolution 0,1°C THERMOCOUPLE: Type J, K, R, S, T, E, B, N, Resolution 2,5 µV POTENTIOMETER: 500 Ω ..100 kΩ RHEOSTAT: 500 Ω ..25 kΩ STROBE: Alternative to output relay

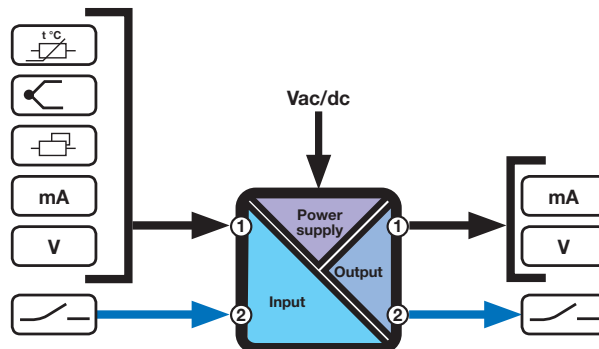
OUTPUT DATA

Channels	1 analog, 1 relay output
Type	<ul style="list-style-type: none"> VOLTAGE (V): 4 scales: 0/1..5V, 0/2..10V, Min load resistance: 2 kΩ CURRENT (mA): 2 scales: 0/4..20 mA, Max load resistance: 600 Ω RELAY: alternative to strobe input NC / NO in case alarm

ORDER CODES

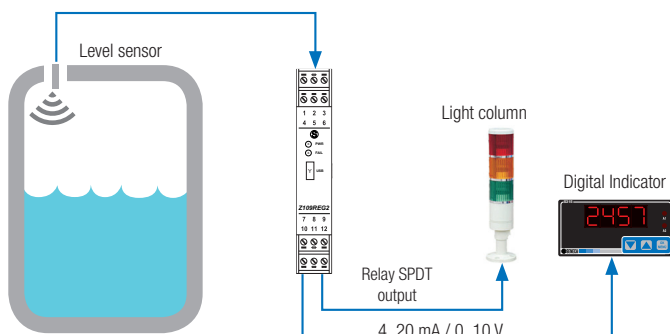
Code	Description
Z109REG2-1	High performance universal converter, programmable via MicroUSB/App, 9..40 Vdc/19..28 Vac
CU-A-MICROB	USB-A Micro USB-B 5 P plug cable
CU-A-MICRO-OTG	Micro USB OTG to USB Type A (female) Adapter Cable
EASY SETUP	Plug&Play software suite for SENECA programmable instruments
EASY SETUP APP	App iOS / Android EASY SETUP suite
Z-POWER-115-15VA	DIN rail 19 Vac transformer, 115 / 15 VA with thermofuse
Z-POWER-230-15VA	DIN rail 19 Vac transformer, 230 / 15 VA with thermofuse
Z-POWER-230-25VA	DIN rail 19 Vac transformer, 230 / 25 VA with thermofuse
Z-SUPPLY	Single-phase switching power supply 24V @ 1.5A
Z-SUPPLY	Alimentatore switching monofase 24V @ 1,5A

SIGNAL / ISOLATION DIAGRAM

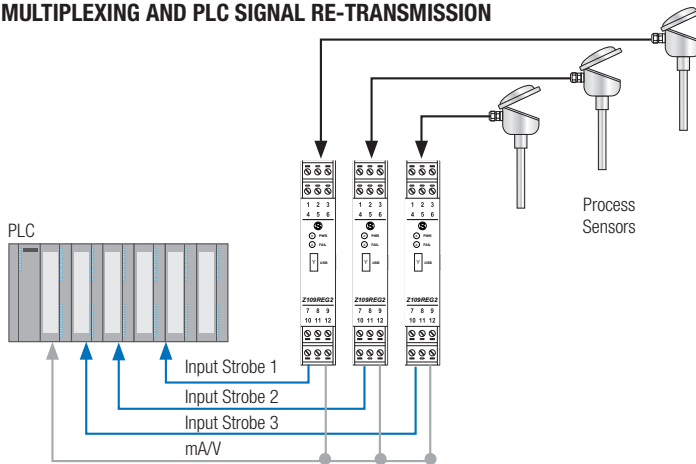


APPLICATION SCHEME

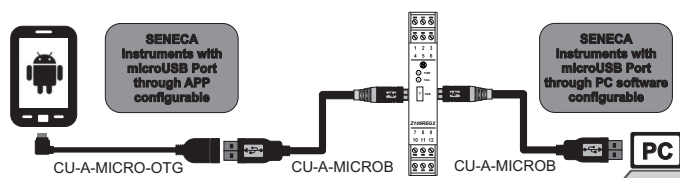
ANALOG SIGNAL CONVERSION AND RE-TRANSMISSION WITH RELAY OUTPUT



MULTIPLEXING AND PLC SIGNAL RE-TRANSMISSION



SETTING BY USB INTERFACE





SCATTERGOOD & JOHNSON LTD

ELECTRICAL ENGINEERING & FLUID CONTROL DISTRIBUTORS

Est.1899

At Scattergood & Johnson Ltd, we pride ourselves on being a technical distributor to specialist industries.

Working with a range of quality product suppliers across a number of specialist markets, we are not your average 'box shifter' - we are your technical and supply chain partner.

We fully support every product we sell - for free! Our internal team and external sales engineers can answer any product or application question, no matter the complexity.

Backing up this technical ability is a range of 50,000+ products available from stock for nationwide next day delivery (same day if required!), or you can collect what you need from any of our trade counters around the UK.

Select your specialist interest below to learn more about how we can help.



Online, In Branch and On the Road - Scattergood & Johnson Ltd, there when you need us.

www.scatts.co.uk