



Z170REG-1

DC DUPLICATOR / ISOLATOR WITH UNIVERSAL INPUT AND 2 OUTPUT

Highlights

- Power Supply Vac/dc
- Power transducers
- Selectable input V, mA, Ohm, thermocouple (TC), thermoresistance (RTD)
- Dual selectable output mA (active/passive), V
- Sampling time from 5 to 20 ms
- Resolution @ 14 bit
- Isolation 1.500 Vac power supply / input / output
- Setting by DIP switches, software or APP
- Micro USB connector (front side)
- Operating temperature -10...+60°C
- UL Certification

The Z170REG-1 module acquires a universal input signal and converts it into an analog format, returning two independent and isolated universal outputs.

Isolation voltage between power supply / input / output features 1.500 Vac.

The signal converter offers the possibility to choose between different types of input: voltage, current, potentiometer, thermocouple (TC) by thermoresistance (RTD).

The two analog outputs have 14-bit resolution.

Selecting the current input it's possible to power an external sensor.

The module has a Micro USB connector on the front panel and can be configured by software or specific App for Android devices.



Mobile Phone with
USB OTG support



SENECA
www.seneca.it

Z170REG-1



DC DUPLICATOR / ISOLATOR WITH UNIVERSAL INPUT AND 2 OUTPUT

TECHNICAL DATA

GENERAL DATA

Power Supply	10..40 Vdc; 19..28 Vac
Power transducers	Yes max 25 mA, 17 Vdc
Max consumption	0.5..2 W
Isolation	1.500 Vac at 4 ways between input// power supply // output 1 // output 2
Protection degree	IP20
LED status indicators	Power Supply Alarm
Response time	< 25 ms
Interfaces	Micro USB (front side)
Accuracy class	0,10%
Thermal drift	0,01% /K
Linearity	<1% (input), 0.01% (output)
Setting	DIP switch Software (EASY SETUP) App (EASY SETUP)
Operating temperature	-10..+65°C
Dimension	17,5 x 100 x 112 mm
Connection	Removable screw terminals
Case	Nylon 6 30% glass fiber
Mounting	On 35 mm DIN rail (IEC/EN 60715)
Weight	200 g
Approvals	CE, UL
Norms	EN 61000-6-4, EN 61000-6-2, EN 61010-1

INPUT DATA

Channels	1
Type	VOLTAGE: configurable range 0..10 V CURRENT: configurable range 0..20 mA (active / passive module) Potentiometer: configurable range 1 kΩ ..100 kΩ Thermocouple: J,K,R,S,T,B,E,N RTD: Pt100, Pt500, Pt1000, Ni100 Resolution @14 bit Sampling time configurable from 5 to 20 ms

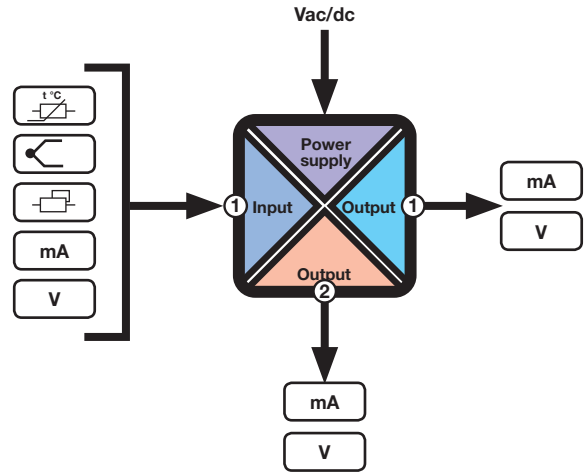
OUTPUT DATA

Channels	2
Type	VOLTAGE: Configurable range 0..10 V CURRENT: Configurable range 0..20 mA (active / passive) Resolution @14 bit

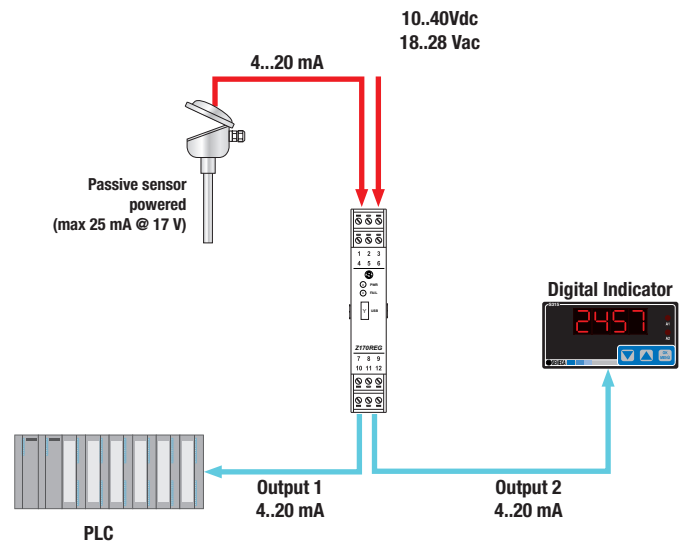
ORDER CODES

Code	Description
Z170REG-1	DC duplicator / isolator with universal input and 2 output, Micro USB port, configurable by App
CU-A-MICROB	USB-A Micro USB-B 5 P plug cable
CU-A-MICRO-OTG	Micro USB OTG to USB Type A (female) Adapter Cable
EASY SETUP	Plug&Play software suite for SENECA programmable instruments
EASY SETUP APP	App iOS / Android EASY SETUP suite
Z-POWER-115-15VA	DIN rail 19 Vac transformer, 115 / 15 VA with thermofuse
Z-POWER-230-15VA	DIN rail 19 Vac transformer, 230 / 15 VA with thermofuse
Z-POWER-230-25VA	DIN rail 19 Vac transformer, 230 / 25 VA with thermofuse
Z-SUPPLY	Single-phase switching power supply 24V @ 1.5A

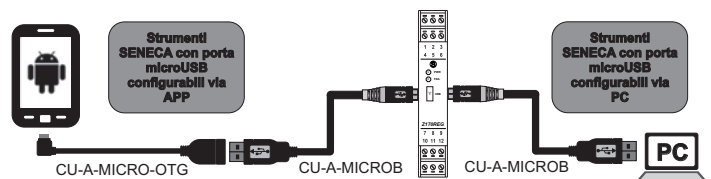
SIGNAL / ISOLATION DIAGRAM



APPLICATION SCHEME



SETTING BY USB INTERFACE





SCATTERGOOD & JOHNSON LTD

ELECTRICAL ENGINEERING & FLUID CONTROL DISTRIBUTORS

Est.1899

At Scattergood & Johnson Ltd, we pride ourselves on being a technical distributor to specialist industries.

Working with a range of quality product suppliers across a number of specialist markets, we are not your average 'box shifter' - we are your technical and supply chain partner.

We fully support every product we sell - for free! Our internal team and external sales engineers can answer any product or application question, no matter the complexity.

Backing up this technical ability is a range of 50,000+ products available from stock for nationwide next day delivery (same day if required!), or you can collect what you need from any of our trade counters around the UK.

Select your specialist interest below to learn more about how we can help.



Online, In Branch and On the Road - Scattergood & Johnson Ltd, there when you need us.

www.scatts.co.uk