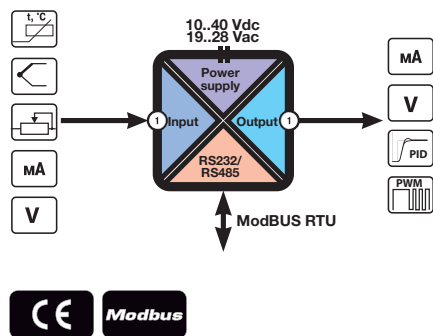




# Z-DAQ-PID

## 2-CH UNIVERSAL ANALOG I/O MODULE WITH PID CONTROL



Z-DAQ-PID has a universal analog input (mA, V, PT100, TC, Ohm) and an active output 4..20 mA or 0..20 mA for continuous or PWM (pulse-width modulation) loop control. This functionality can be disabled and the unit can be used as analog input and analog output independent from each other. The module is ModBUS Slave and can be coupled with any ModBUS Master device. A 3-way galvanic isolation among Power supply // input // RS485 circuits assures the integrity of your datas.

### TECHNICAL SPECIFICATIONS

#### General Data

Power supply	10..40 Vdc / 19..28 Vac / 50-60 Hz
Power consumption	2,0 W
Isolation	1.500 Vac (4 way)
Power transducers	Yes
Status Indicators	Power supply, error, data transmission, data reception, input status
Protection Degree	IP20
Operating Temperature	-10..+65 °C
Dimension (W x H x D)	17.5 x 100 x 112 mm
Mounting	35 mm DIN rail guide

#### Communication, Memory Process

Interface	2 wire RS485
Speed	Up to 115.200 bps
Protocol	ModBUS RTU slave
Communication Time	< 10 ms (38400 baud)
Distance	Up to 1.200 m
Connectivity	Max 32 nodes
Data Memory	EEPROM for the configuration parameters, retention time 10 years

#### Signals

Channel Numbers	2
Input	N.1 Voltage (0..10V) Current (0/4..20mA) Potentiometer (1KΩ..100KΩ) Thermocouple (J,K,R,S,T,B,E,N) RTD (PT100,PT500,PT1000,NI100)
	N.1 Voltage (0..5V, 0..10V) Current (0..20mA, 4..20mA)

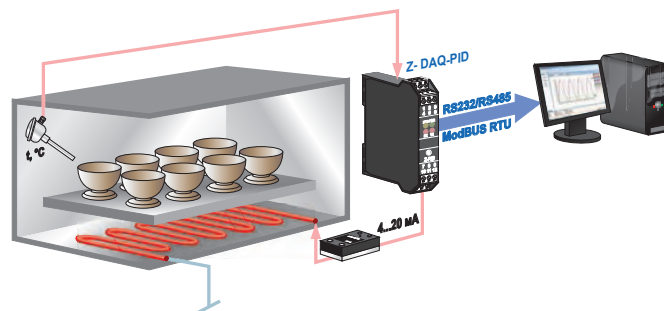
#### Programming

DIP switches	Baud rate, node, parity, serial port, bit stop, termination line
Software	EASY Z-DAQ-PID (plug&play) Conversion with PID Conversion without PID
Operating Modality	Analogue output without PID Special PWM (pulse-width modulation)

#### Standard

Approval	CE
Norms	EN 50081-2; EN 55011; EN 50082-2; EN 61000-2-2/4; EN 50140/141; EN 61010-1

### APPLICATION NOTE



### ORDER CODES

Code	Description
Z-DAQ-PID	2-CH universal analog I/O module with PID control/ RS485, 10..40 Vdc / 19..28 Vac

### ACCESSORIES & SOFTWARE

<b>Z-PC-DIN</b> Backplane for power & bus communication pg. 36	<b>Z-SUPPLY</b> Switching power supply pg. 36	<b>EASY SETUP</b> Plug&Play configuration software pg. 36

### SIMILAR PRODUCTS

<b>Z-4RTD2</b> 4-CH RTD input module / RS485 pg. 19	<b>Z-4TC</b> 4-CH thermocouple/mV input module / RS485 pg. 20	<b>Z-4AI</b> 4-CH analog input module / RS485 pg. 16



# SCATTERGOOD & JOHNSON LTD

ELECTRICAL ENGINEERING & FLUID CONTROL DISTRIBUTORS

Est.1899

At Scattergood & Johnson Ltd, we pride ourselves on being a technical distributor to specialist industries.

Working with a range of quality product suppliers across a number of specialist markets, we are not your average 'box shifter' - we are your technical and supply chain partner.

We fully support every product we sell - for free! Our internal team and external sales engineers can answer any product or application question, no matter the complexity.

Backing up this technical ability is a range of 50,000+ products available from stock for nationwide next day delivery (same day if required!), or you can collect what you need from any of our trade counters around the UK.

Select your specialist interest below to learn more about how we can help.



Online, In Branch and On the Road - Scattergood & Johnson Ltd, there when you need us.

# [www.scatts.co.uk](http://www.scatts.co.uk)