

MICRO SWITCH™ 14CE Series

Compact Precision Limit Switches

All MICRO SWITCH™ 14CE Series compact enclosed switches incorporate fluorocarbon diaphragm sealing to provide reliable protection, meeting IP65, IP66, IP67, and IP68 as well as NEMA 1, 2, 3, 3R, 4, 6, 6P, and 13 requirements. Versions with a boot seal also meet NEMA 12 requirements (dust, falling dirt, liquid media with solid contaminants). The cable or connector and basic switch terminals are encapsulated in an epoxy sealant, offering excellent resistance in harsh environments. For low temperature applications (down to -40 °C, -40 °F), CE Series switches can be supplied with low temperature seals and lubricant.

The CE Series switches are rugged and versatile switches which can be applied indoors in many harsh factory floor applications, as well as on outdoor equipment in extreme temperatures. A full range of actuators are available, including plain plungers, roller plungers, side rotary, multi-directional wire, and manually operated. The switches are also available with the industry standard, M12 micro-change 4-pin connector. MICRO SWITCH™ 14CE products meet worldwide CE requirements.

What makes our switches better?

- Compact construction for minimal real estate on equipment
- Gang mounting capability to provide a multi-plunger limit switch
- Rugged, die-cast zinc housing for demanding environments
- Variety of cable length options and choice of side or bottom exit cable/connector for design flexibility
- Functionality over a wide temperature range with factory sealed connectors or wiring



Big performance in a little package.

CUSTOMIZATION • COMPACT
HIGH PERFORMING • DURABILITY

Features and Benefits

RUGGED, COMPACT CONSTRUCTION

MICRO SWITCH™ 14CE Series limit switches' compact construction requires **minimal real estate on equipment**. Consistent performance is delivered in many demanding environments where petroleum, synthetic or water based fluids are present. Its die-cast zinc housing and fluorocarbon diaphragm seal maintain a tightly sealed, IP65/66/67/68 and NEMA 1, 2, 3, 3R, 4, 6, 6P, 12 (boot seal), 13 rugged package.

Gang-mounting option

CUSTOMIZATION

Switches are **pre-leaded** (harmonized CENELEC cable) or supplied with a **M12 four-pin connector** to decrease installation time. 14CE Series' wide selection of actuators **minimize installation or time issues**. Cable length variations are available for equipment requiring different cable lengths with side and bottom exit cable/connector options for equipment flexibility.

COMPACT DESIGN

Rugged, compact switch designed with the common **25 mm mounting centers**. The 14CE Series is engineered with MICRO SWITCH™ SM switches for **consistent, precise actuation**.

High performance switch for small spaces

LONG LIFE

Mechanical life up to five million cycles for wobble actuators, and up to ten million cycles for all other actuators delivers **long-lasting performance**.

DESIGN FLEXIBILITY

Gang mounting capability provides a **multi-plunger limit switch option**. **Low temperature variants** are available for indoor and outdoor applications.

GLOBAL APPLICATIONS

MICRO SWITCH™ 14CE limit switches have **CE** approval for world-wide use.

Potential Applications



MACHINE TOOLS

Detects tool and piece part location on CNC and other machining equipment

OFF-ROAD EQUIPMENT

Used as a cab door switch on crane booms

MATERIAL HANDLING

Used in forklifts and dock locks for trucks and trailers, and vehicle wash systems



ACCESS AND MOBILITY SOLUTIONS

Often used on vehicle wheelchair lifts and stairway lifts

TEXTILE MACHINERY

Senses roll size, tensioning, and other functions

ROBOTICS

Controls arm movement limits



PACKAGING EQUIPMENT

Often used on stretch pallet wrapping equipment

PRINT TRADE MACHINERY

Senses roll size, tensioning, along with controlling gates and panels

AGRICULTURAL MACHINERY

Used on grain and livestock equipment

MICRO SWITCH™ Compact Precision Limit Switches

Table 1. Specifications

| Characteristic | Parameter |
|--|--|
| Description | compact enclosed limit switch |
| Actuators | <ul style="list-style-type: none"> • Top pin plunger (14CE1-) • Cross roller plunger (14CE3-) • Top pin plunger with boot seal (14CE18-) • Wobble (14CE20-) • Top pin plunger, panel mount (14CE27-) • Top roller plunger, parallel and panel mount (14CE28-) • Top roller plunger, perpendicular, panel mount (14CE29-) • Top roller plunger, parallel and boot sealed (14CE31-) • Top roller plunger, perpendicular, boot seal (14CE55-) • Parallel roller plunger (14CE2-) • Front rotary (14CE16-) • Top adjustable plunger (14CE19-) • Manually operated (14CE22-) • Ball bearing plunger (14CE66-) |
| Terminations | Harmonized CENELEC PVC sheathed 4 x 0,75 mm ² (18 AWG) cable Connector (dc), 4-pin male, M12 thread (-Q) Connector (ac), 4-pin male, 1/2 in x 20 thread (-Q1) |
| Switching options | SPDT, snap action contacts (1NC/1NO) |
| Sealing | IP65, IP66, IP67, IP68 NEMA 1, 2, 3, 3R, 4, 6, 6P, 12 (boot seal), 13 |
| Operating temperature | 0 °C to 70 °C [32 °F to 158 °F]; optional -40 °C to 70 °C [-40 °F to 158 °F] |
| Mechanical life | up to 10 million up to 5 million (wobble actuators) |
| Thermal current | 1 A, 3 A, 5 A (depending upon model) |
| Rated insulation voltage (Ui) | 250 V |
| Rated impulse withstand voltage (Uimp) | 1.5 kV |
| Pollution degree | 3 |
| Min. actuation speed | 0.003 m/s |
| Max. actuation speed | 0.1 m/s |
| Max. actuation frequency | ac – 200 Hz; dc – 20 Hz |
| Shock | 50 g – IEC68-2-27 |
| Vibration | 10 G – IEC68-2-6 |
| Approvals | CE |
| Conforming to standards | IEC947-5-1, EN 60947-5-1; AC14 D300, DC13 R300 |

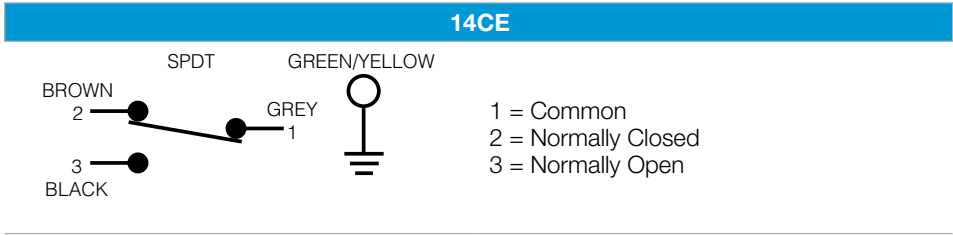
Table 2. Electrical Ratings (in amperes)

| Model example | Contacts | Rating |
|---------------------|-----------------|------------------------|
| 14CE_ _ | Silver contacts | A |
| 14CE_ _G | Gold contacts | B |
| 14CE_ _Q, -AQ, -AQ1 | Silver contacts | C with 4-pin connector |

| Rating code | Electrical Rating | Make | Break |
|-------------|----------------------------------|------|-------|
| A | 240 Vac, ind. | 1.2 | 0.2 |
| | 240 Vac, res. | 5 | 5 |
| | 28 Vdc, res. | 3 | 3 |
| | 28 Vdc, ind. | 3 | 3 |
| | 5 A, 1/10 HP, 125 Vac or 250 Vac | – | – |
| B | 1 A res., 0.5 A ind., 30 Vdc | – | – |
| | 1 A, 125 Vac | – | – |
| C | 3 A, 125 Vac or 250 Vac | – | – |

14CE Series

SWITCHING AND LEAD IDENTIFICATION

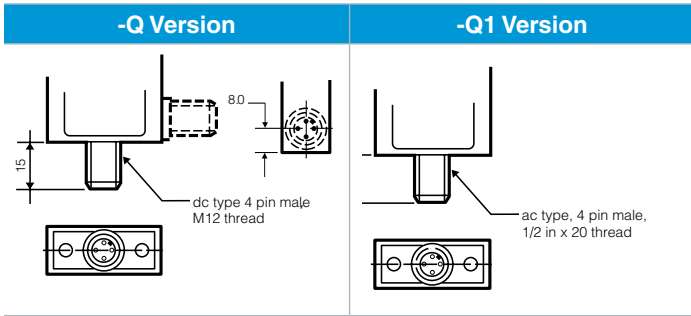


PINOUTS



CONNECTOR VERSIONS

The 14CE Series is available with a 4-pin, M12 size connector in both bottom and side exit versions.



MOUNTING

MICRO SWITCH™ 14CE Series switches are mounted by using two M5 screws. The mounting holes are counter bored to keep the screw heads within the overall switch housing dimensions.

GANG MOUNT CAPABILITY

The housing on the 14CE Series has been designed to enable the user to build his own multiple plunger switch by gang mounting several switches. All pin plunger and roller plunger types are suitable for gang mounting. There is a 16 mm distance between the plungers. Both Series are very versatile that even a lever-type version could be added at the end of the row.

BOTTOM EXIT OR SIDE EXIT ORIENTATION

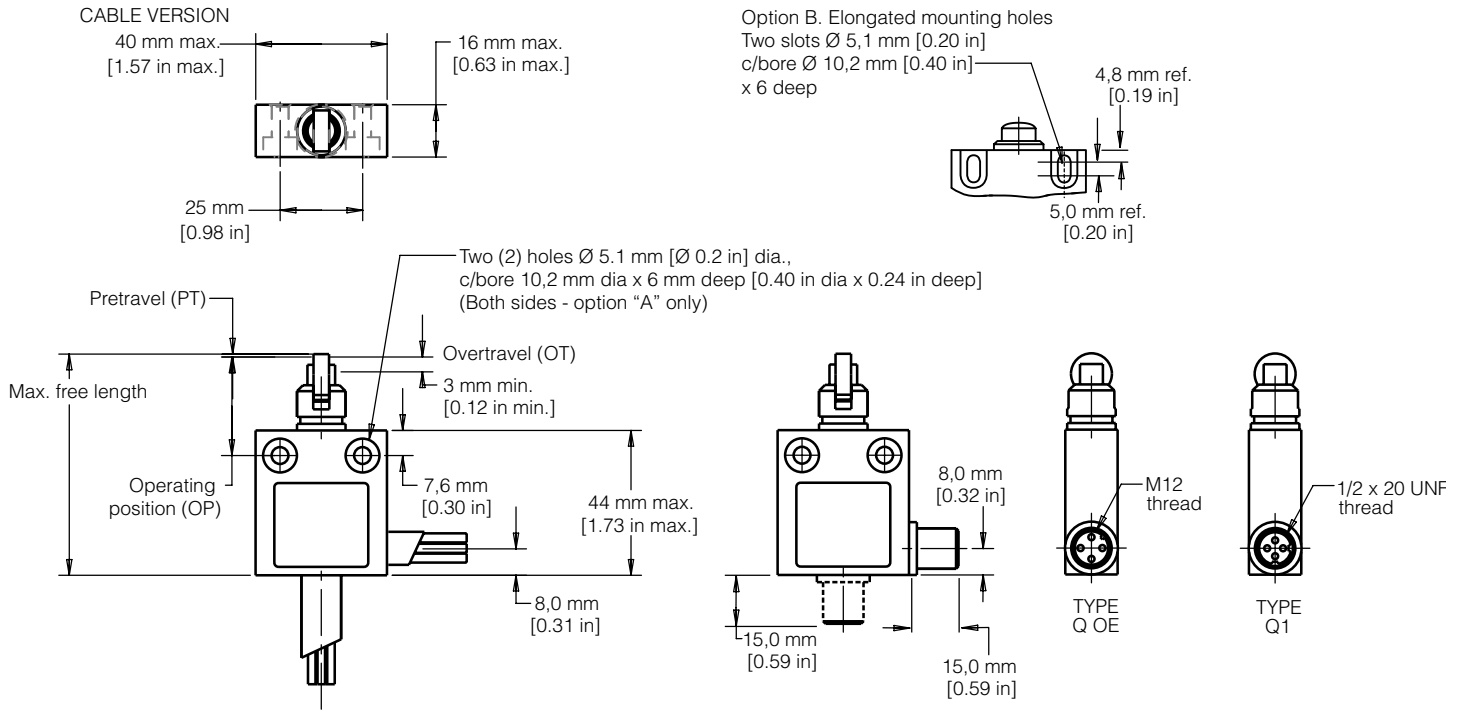
The CE Series has been designed with a pre-wired cable or connector fitted in the bottom of the switch housing. Other variations are available with a side-exit cable or connector.

GOLD CONTACT VERSIONS

For low energy applications (up to 30 Vdc, 1 A), gold contact versions of the 14CE switches can be supplied upon request.

MICRO SWITCH™ Compact Precision Limit Switches

GENERAL DIMENSIONS • ALL SWITCHES



PRODUCT NOMENCLATURE

| 14CE | 16 | — | 3 | | |
|---|--|--|--|--|--|
| Switch Type | Actuator Type | | Cable Length | Options ^{1,2} | Connectors (micro type) |
| 14CE Series Compact Precision Limit Switch | 1 Top pin plunger | 22 Manually oper. nylon button | 1 1 meter | A Side entry | Q dc type single keyway 4-pin male, M12 |
| | 2 Top roller plunger, parallel | 27 Top pin plunger panel mount | 2 2 meters | B Elongated mounting holes | Q1 ac type two keyways 4-pin male, 1/2-20 |
| | 3 Top roller plunger, perp. | 28 Top roller plunger, parallel panel mount | 3 3 meters | D Halogen-free cable | |
| | 16 Front rotary | 29 Top roller plunger, perp. panel mount | 4 4 meters | G Gold contacts | |
| | 18 Top pin plunger w/ boot seal | 31 Top roller plunger, parallel boot seal | 5 5 meters | H High temp., 150 °C | |
| | 19 Top adjustable pin plunger | 55 Top roller plunger, perp. boot seal | | L Low temp., -40 °C switch and cable | |
| | 20 Coil wobble | 66 Top ball bearing plunger | | L1 Low temp., -40 °C, cable not for flexing | |
| | | | P Top mounting | | |
| | | | V Fluorocarbon seals/gasket (front rotary only) | | |

NOTE: not all combinations of model code are available. Please contact your Honeywell provider/representative for assistance.

¹More than one option may be permissible.

²OPTION K to be discontinued. Replaced with fluorocarbon diaphragm seal, standard switch.

²OPTION KV to be discontinued. Replaced with fluorocarbon diaphragm seal, standard switch.

Bottom exit is standard.

14CE Series

PRODUCT SPECIFICATIONS AND LISTINGS

Contact your Honeywell rep or distributor for additional listings

| 14CE1 • Pin Plunger 14CE27 • Pin Plunger Panel Mount | | Con-tacts | Elec Rating ¹ | Cable Exit | Free Position (FP) | Operating Position (OP) | Options | Listing |
|--|--|-----------|--------------------------|------------|--------------------|-------------------------|----------------------|------------------|
| <p> Pretravel • 1,8 mm [0.071 in] Diff. travel • 0,1 mm [0.004 in] Overtravel • 3,0 mm [0.118 in] Oper. force • 11,8 N [2.65 lb] </p> | GRY-BRN 17,5 GRY-BLK 15,7 GRY-BLK 12,7 GRY-BRN 15,8 | Silver | A | Bottom | 17,5 mm [0.69 in] | 15,7 mm [0.62 in] | – | 14CE1-1 |
| | GRY-BLN 17,5 GRY-BLN 15,7 GRY-BLN 12,7 GRY-BLN 15,8 | Gold | B | Bottom | 17,5 mm [0.69 in] | 15,7 mm [0.62 in] | Gold-plated contacts | 14CE1-1G |
| | GRY-BLN 17,5 GRY-BLN 15,7 GRY-BLN 12,7 GRY-BLN 15,8 | Silver | A | Side | 17,5 mm [0.69 in] | 15,7 mm [0.62 in] | Side exit cable | 14CE1-1A |
| | GRY-BLN 17,5 GRY-BLN 15,7 GRY-BLN 12,7 GRY-BLN 15,8 | Silver | C | Bottom | 17,5 mm [0.69 in] | 15,7 mm [0.62 in] | dc-type connector | 14CE1-Q |
| | GRY-BRN 31,1 GRY-BLK 29,3 GRY-BLK 26,3 GRY-BRN 29,4 | Silver | A | Bottom | 31,1 mm [1.23 in] | 29,3 mm [1.15 in] | Panel mount | 14CE27-1 |
| | GRY-BLN 31,1 GRY-BLN 29,3 GRY-BLN 26,3 GRY-BLN 29,4 | | | | | | | |
| 14CE18 • Boot Sealed Pin Plunger | | Con-tacts | Elec Rating ¹ | Cable Exit | Free Position (FP) | Operating Position (OP) | Options | Listing |
| <p> Pretravel • 1,8 mm [0.071 in] Diff. travel • 0,1 mm [0.004 in] Overtravel • 3,0 mm [0.118 in] Oper. force • 22,5 N [5.06 lb] </p> | GRY-BRN 26,7 GRY-BLK 24,9 GRY-BLK 21,9 GRY-BRN 25 | Silver | A | Bottom | 26,7 mm [1.05] | 24,9 mm [0.98 in] | – | 14CE18-1 |
| | GRY-BLN 26,7 GRY-BLN 24,9 GRY-BLN 21,9 GRY-BLN 25 | Silver | A | Side | 26,7 mm [1.05] | 24,9 mm [0.98 in] | Side exit cable | 14CE18-1A |
| | GRY-BLN 26,7 GRY-BLN 24,9 GRY-BLN 21,9 GRY-BLN 25 | Silver | C | Bottom | 26,7 mm [1.05] | 24,9 mm [0.98 in] | dc-type connector | 14CE18-Q |
| 14CE66 • Ball Bearing Plunger | | Con-tacts | Elec Rating ¹ | Cable Exit | Free Position (FP) | Operating Position (OP) | Options | Listing |
| <p> Pretravel • 1,8 mm [0.071 in] Diff. travel • 0,1 mm [0.004 in] Overtravel • 3,0 mm [0.118 in] Oper. force • 11,8 N [2.65 lb] </p> | GRY-BRN 26,2 GRY-BLK 24,4 GRY-BLK 21,4 GRY-BRN 24,5 | Silver | A | Bottom | 26,2 mm [1.03 in] | 24,4 mm [0.96 in] | – | 14CE66-1 |
| | GRY-BLN 26,2 GRY-BLN 24,4 GRY-BLN 21,4 GRY-BLN 24,5 | Silver | A | Side | 26,2 mm [1.03 in] | 24,4 mm [0.96 in] | Side exit cable | 14CE66-1A |

¹ Page 5 for electrical codes

Note: Most part numbers are shown with 1 meter of cable. The -X indicates the number of meters of cable provided: 2-meters, 3-meters, 4-meters, and 5-meters. Custom lengths are also available.

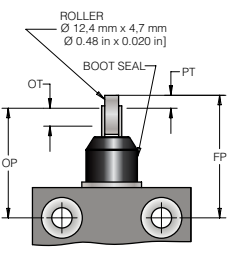
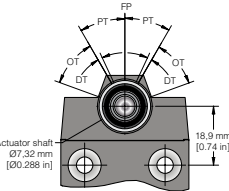
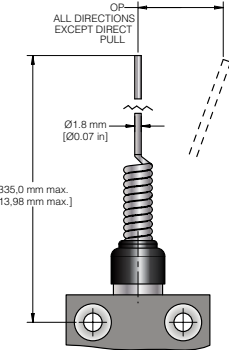
MICRO SWITCH™ Compact Precision Limit Switches

| 14CE2 • Roller Plunger 14CE28 • Roller Plunger Panel Mount | | Con-tacts | Elec Rating ¹ | Cable Exit | Free Position (FP) | Operating Position (OP) | Options | Listing |
|--|--|-----------|--------------------------|-------------------|--------------------|-------------------------------|------------------|---------|
| <p>Pretravel • 1,8 mm [0.071 in] Diff. travel • 0,1 mm [0.004 in] Overtravel • 3,0 mm [0.118 in] Oper. force • 11,8 N [2.65 lb]</p> | Silver | A | Bottom | 30,3 mm [1.19 in] | 28,5 mm [1.12 in] | – | 14CE2-1 | |
| | Gold | B | Bottom | 30,3 mm [1.19 in] | 28,5 mm [1.12 in] | Gold-plated contacts | 14CE2-1G | |
| | Silver | C | Bottom | 30,3 mm [1.19 in] | 28,5 mm [1.12 in] | dc-type connector | 14CE2-Q | |
| | Silver | A | Side | 30,3 mm [1.19 in] | 28,5 mm [1.12 in] | Side exit cable | 14CE2-1A | |
| | Silver | A | Bottom | 44,3 mm [1.75 in] | 42,5 mm [1.67 in] | Panel mount, 2 m cable | 14CE28-2 | |
| | <p>Pretravel • 1,8 mm [0.071 in] Diff. travel • 0,1 mm [0.004 in] Overtravel • 3,0 mm [0.118 in] Oper. force • 11,8 N [2.65 lb]</p> | | | | | | | |
| 14CE31 • Boot Sealed Roller Plunger | | Con-tacts | Elec Rating ¹ | Cable Exit | Free Position (FP) | Operating Position (OP) | Options | Listing |
| <p>Pretravel • 1,8 mm [0.071 in] Diff. travel • 0,1 mm [0.004 in] Overtravel • 3,0 mm [0.118 in] Oper. force • 17,5 N [3.93 lb]</p> | Silver | A | Bottom | 36,2 mm [1.43 in] | 34,4 mm [1.36 in] | – | 14CE31-1 | |
| | Silver | A | Bottom | 36,2 mm [1.43 in] | 34,4 mm [1.36 in] | Fluorocarbon seals, 6 m cable | 14CE31-6V | |
| 14CE3 • Cross Roller Plunger | | Con-tacts | Elec Rating ¹ | Cable Exit | Free Position (FP) | Operating Position (OP) | Options | Listing |
| <p>Pretravel • 1,8 mm [0.071 in] Diff. travel • 0,1 mm [0.004 in] Overtravel • 3,0 mm [0.118 in] Oper. force • 11,8 N [2.65 lb]</p> | Silver | A | Bottom | 30,3 mm [1.19 in] | 28,5 mm [1.12 in] | – | 14CE3-1 | |
| | Silver | A | Side | 30,3 mm [1.19 in] | 28,5 mm [1.12 in] | 3 m of cable, side exit | 14CE3-3A | |
| | Silver | C | Bottom | 30,3 mm [1.19 in] | 28,5 mm [1.12 in] | dc-type connector | 14CE3-Q | |

¹ Page 5 for electrical codes

Note: Most part numbers are shown with 1 meter of cable. The -X indicates the number of meters of cable provided: 2-meters, 3-meters, 4-meters, and 5-meters. Custom lengths are also available.

14CE Series

| 14CE55 • Boot Sealed Cross Roller Plunger | | Con-tacts | Elec Rating ¹ | Cable Exit | Free Position (FP) | Operating Position (OP) | Options | Listing |
|---|---|-----------|--------------------------|------------|----------------------|-------------------------|--|------------------------------|
|  <p>ROLLER Ø 12,4 mm x 4,7 mm Ø 0,48 in x 0,020 in</p> <p>BOOT SEAL</p> <p>PT</p> <p>OT</p> <p>OP</p> <p>FP</p> | <p>36,2 34,4 31,4</p> <p>GRY-BRN</p> <p>GRY-BLK</p> <p>GRY-BLK</p> <p>GRY-BRN</p> <p>34,5</p> <p>Pretravel • 1,8 mm [0.071 in] Diff. travel • 0,1 mm [0.004 in] Overtravel • 3,0 mm [0.118 in] Oper. force • 17,5 N [3.93 lb]</p> | Silver | A | Bottom | 36,2 mm [1.43 in] | 34,4 mm [1.36 in] | 3 meters of cable | 14CE55-3 |
| | | | | | | | | |
| 14CE16 • Side Rotary | | Con-tacts | Elec Rating ¹ | Cable Exit | Free Position (FP) | Operating Position (OP) | Options | Listing |
|  <p>Actuator shaft Ø 7,32 mm [0,288 in]</p> <p>18,9 mm [0,74 in]</p> <p>0° 30° 70°</p> <p>27°</p> <p>Pretravel • 30° Diff. travel • 3° Overtravel • 40° Oper. force • 0,34 Nm [3 in-lb]</p> | <p>GRY-BRN</p> <p>GRY-BLK</p> <p>GRY-BLK</p> <p>GRY-BRN</p> | Silver | A | Bottom | – | – | | 14CE16-1² |
| | | Gold | B | Bottom | – | – | Gold-plated contacts, 3 meters of cable | 14CE16-3G² |
| | | Silver | C | Bottom | – | – | dc-type connector | 14CE16-Q² |
| 14CE20 • Random Motion Wire Actuator Wobble | | Con-tacts | Elec Rating ¹ | Cable Exit | Free Position (FP) | Operating Position (OP) | Options | Listing |
|  <p>OP</p> <p>ALL DIRECTIONS EXCEPT DIRECT PULL</p> <p>Ø 1,8 mm [0,07 in]</p> <p>335,0 mm max. [13,98 mm max.]</p> <p>0 28 max.</p> <p>GRY-BRN</p> <p>GRY-BLK</p> <p>GRY-BLK</p> <p>GRY-BRN</p> <p>Oper. position • 28 mm [1.10 in] max. Oper. force • 0,55 N [0.12 lb] max.</p> | | Silver | A | Bottom | – | 28 mm [1.10 in] max. | – | 14CE20-1 |
| | | | | | | | | |

¹ Page 5 for electrical codes

² Switch operates on clockwise and counterclockwise rotation of lever shaft

Note: Most part numbers are shown with 1 meter of cable. The -X indicates the number of meters of cable provided: 2-meters, 3-meters, 4-meters, and 5-meters. Custom lengths are also available.

MICRO SWITCH™ Compact Precision Limit Switches

This Honeywell datasheet supports the following MICRO SWITCH™ 14CE Series Limit Switch Listings

| | | | | | |
|------------|------------|------------|-----------|------------|-----------|
| 14CE1-1 | 14CE1-5 | 14CE18-3 | 14CE2-2 | 14CE2-6 | 14CE3-1L1 |
| 14CE1-1A | 14CE1-5K | 14CE18-6 | 14CE2-20 | 14CE2-6KV | 14CE31-L1 |
| 14CE1-1G | 14CE1-5KV | 14CE18-6A | 14CE2-2A | 14CE27-1 | 14CE3-2 |
| 14CE1-1K | 14CE1-6 | 14CE18-6AH | 14CE2-2B | 14CE2-7A | 14CE3-3 |
| 14CE1-2 | 14CE16-1 | 14CE18-Q | 14CE2-2-D | 14CE28-2 | 14CE3-3A |
| 14CE1-2B | 14CE16-10 | 14CE1-9A | 14CE2-2K | 14CE2-AQ | 14CE3-3AH |
| 14CE1-2G | 14CE16-1H | 14CE1-AQ | 14CE2-2KV | 14CE2-Q | 14CE3-3K |
| 14CE1-2L | 14CE16-2 | 14CE1-Q | 14CE2-3 | 14CE3-1 | 14CE3-3KV |
| 14CE1-3 | 14CE16-3 | 14CE20-1 | 14CE2-3A | 14CE3-10 | 14CE3-4AG |
| 14CE1-3A | 14CE16-3G | 14CE20-3 | 14CE2-3AH | 14CE31-1 | 14CE3-6 |
| 14CE1-3AH | 14CE16-4 | 14CE20-6 | 14CE2-3D | 14CE31-10A | 14CE3-GLQ |
| 14CE1-3AK | 14CE1-6KV | 14CE20-8 | 14CE2-3G | 14CE31-2L | 14CE3-Q |
| 14CE1-3AKV | 14CE16-Q | 14CE2-1 | 14CE2-3K | 14CE31-3 | 14CE55-3 |
| 14CE1-3AL | 14CE1-7 | 14CE2-10 | 14CE2-3KV | 14CE31-4A | 14CE66-1 |
| 14CE1-3DG | 14CE18-1 | 14CE2-1A | 14CE2-4 | 14CE31-6 | 14CE66-1A |
| 14CE1-3G | 14CE18-15A | 14CE2-1G | 14CE2-4 | 14CE316V | 14CE66-2 |
| 14CE1-3K | 14CE18-1A | 14CE2-1K | 14CE2-5 | 14CE3-1K | 14CE66-4A |
| 14CE1-4 | 14CE18-1L | 14CE2-1L | 14CE2-5KV | 14CE3-1L | |

14CE Series

ADDITIONAL INFORMATION

The following associated literature is available on the Honeywell Web site at sensing.honeywell.com:

- Product installation instructions
- Product range guide
- Product nomenclature tree
- Product application-specific information
 - Limit and enclosed switches application information
 - Limit and enclosed switches operating characteristics
 - Limit and enclosed switches reference standards
 - Limit and enclosed switches typical applications
 - Product flyer: CE Family Miniature Limit Switches

WARNING

PERSONAL INJURY

DO NOT USE these products as safety or emergency stop devices or in any other application where failure of the product could result in personal injury.

Failure to comply with these instructions could result in death or serious injury.

WARNING

MISUSE OF DOCUMENTATION

- The information presented in this product sheet is for reference only. Do not use this document as a product installation guide.
- Complete installation, operation, and maintenance information is provided in the instructions supplied with each product.

Failure to comply with these instructions could result in death or serious injury.

WARRANTY/REMEDY

Honeywell warrants goods of its manufacture as being free of defective materials and faulty workmanship. Honeywell's standard product warranty applies unless agreed to otherwise by Honeywell in writing; please refer to your order acknowledgement or consult your local sales office for specific warranty details. If warranted goods are returned to Honeywell during the period of coverage, Honeywell will repair or replace, at its option, without charge those items it finds defective. **The foregoing is buyer's sole remedy and is in lieu of all other warranties, expressed or implied, including those of merchantability and fitness for a particular purpose. In no event shall Honeywell be liable for consequential, special, or indirect damages.**

While we provide application assistance personally, through our literature and the Honeywell website, it is up to the customer to determine the suitability of the product in the application.

Specifications may change without notice. The information we supply is believed to be accurate and reliable as of this printing. However, we assume no responsibility for its use.

Find out more

Honeywell serves its customers through a worldwide network of sales offices, representatives and distributors. For application assistance, current specifications, pricing or name of the nearest Authorized Distributor, contact your local sales office.

To learn more about Honeywell's sensing and control products, call **+1-815-235-6847** or **1-800-537-6945**, visit **sensing.honeywell.com**, or e-mail inquiries to **info.sc@honeywell.com**

Sensing and Control
Honeywell
1985 Douglas Drive North
Golden Valley, MN 55422
honeywell.com





SCATTERGOOD & JOHNSON LTD

ELECTRICAL ENGINEERING & FLUID CONTROL DISTRIBUTORS

Est.1899

At Scattergood & Johnson Ltd, we pride ourselves on being a technical distributor to specialist industries.

Working with a range of quality product suppliers across a number of specialist markets, we are not your average 'box shifter' - we are your technical and supply chain partner.

We fully support every product we sell - for free! Our internal team and external sales engineers can answer any product or application question, no matter the complexity.

Backing up this technical ability is a range of 50,000+ products available from stock for nationwide next day delivery (same day if required!), or you can collect what you need from any of our trade counters around the UK.

Select your specialist interest below to learn more about how we can help.



Online, In Branch and On the Road - Scattergood & Johnson Ltd, there when you need us.

www.scatts.co.uk