

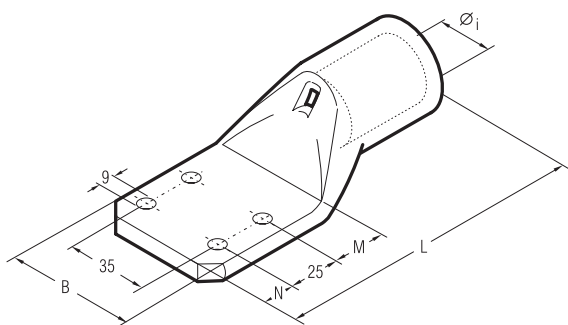
COPPER TUBE LUGS 4-ESI FIXING A-4ESI - for copper cables



Description:

- A-4ESI series lugs are manufactured from electrolytic copper tube Cu-OF CW008A conform to UNI EN 13600:2013.
- The four hole stud fixing in accordance with E.A. specifications ensures compatibility with most transformer fixing arrangements.

Sections and Dimensions:



Conductor Size sqmm	Ref.	Dimensions mm					Quantity Box/Bag
		Øi	B	M	N	L	
185	A 37-4ESI	19,2	61	20	15	124	20/10
240	A 48-4ESI	21,1	61	20	15	128	20/10
300	A 60-4ESI	23,7	61	20	15	133	15/5
400	A 80-4ESI	27,0	61	20	15	134	15/5
500	A 100-4ESI	30,3	61	20	15	139	10/5
630	A 120-4ESI	33,4	61	20	15	144	10/5
800	A 160-4ESI	38,0	61	20	15	158	8/1

Cembre SpA

Via Serenissima, 9 - 25135 Brescia (Italia)
 Tel.: 030 36921 - Telefax: 030 3365766
 www.cembre.com - E-mail: info@cembre.com



SCATTERGOOD & JOHNSON LTD

ELECTRICAL ENGINEERING & FLUID CONTROL DISTRIBUTORS

Est.1899

At Scattergood & Johnson Ltd, we pride ourselves on being a technical distributor to specialist industries.

Working with a range of quality product suppliers across a number of specialist markets, we are not your average 'box shifter' - we are your technical and supply chain partner.

We fully support every product we sell - for free! Our internal team and external sales engineers can answer any product or application question, no matter the complexity.

Backing up this technical ability is a range of 50,000+ products available from stock for nationwide next day delivery (same day if required!), or you can collect what you need from any of our trade counters around the UK.

Select your specialist interest below to learn more about how we can help.



Online, In Branch and On the Road - Scattergood & Johnson Ltd, there when you need us.

www.scatts.co.uk