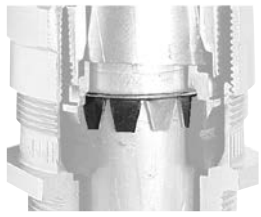


Accessories for Ex-cable glands ADE



Lead sheath washer



Strain clamp



PVC-Shroud

3

Accessories for cable glands type ADE

Type ADE	Ø D/mm	OU	Order No.
Ordering details shrouds for cable glands			
4	16	10	CAP 506 040
5	20	10	CAP 506 050
6	25	10	CAP 506 060
7	31	10	CAP 506 070
8	43	10	CAP 506 080
9	52	10	CAP 506 090
10	59	10	CAP 506 100
11	67	10	CAP 506 110
12	75	10	CAP 506 120
13	90	10	CAP 506 130
14	100	10	CAP 506 140
15	116	10	CAP 506 150
16	127	10	CAP 506 160

Type ADE	for cable Ø mm	for A/F	B mm	C mm	Weight approx. kg	OU	Order No.
Ordering details for strain clamp							
4	4 – 8.5	17	20	5	0.0085	1	CAP 810 444
5	6 – 12	19	22	5	0.007	1	CAP 810 534
6	8.5 – 16	24	27.5	6	0.015	1	CAP 810 634
7	12 – 21	30	33.5	8	0.028	1	CAP 810 734
8	16 – 27.5	41	45	8	0.044	1	CAP 810 834
9	21 – 34	48	52	9.5	0.061	1	CAP 810 934
10	27 – 41	55	59	9.5	0.069	1	CAP 811 034
11	33 – 48	64	69	12	0.13	1	CAP 811 134
12	40 – 56	72	78	12	0.16	1	CAP 811 234
13	47 – 65	85	92	16	0.37	1	CAP 811 334
14	54 – 74	95	103	16	0.42	1	CAP 811 434
15	63 – 83	110	118	18	0.64	1	CAP 811 534
16	72 – 93	120	128	18	0.68	1	CAP 811 634

Type ADE	for outer lead sheath Ø mm	A mm	H mm	Weight/g	OU	Order No.
Ordering details lead sheath washer for use with lead cables in combination with ADE 4F glands						
5	4.5 – 7.5	10	3.2	0.25	10	CAP 560 530
6	7 – 11	13.9	4	0.3	10	CAP 560 630
7	10 – 15	18.3	4.8	0.6	10	CAP 560 730
8	13.5 – 20	23.8	5.7	0.9	10	CAP 560 830
9	18 – 26.5	31	7.2	1.5	10	CAP 560 930
10	23 – 32.5	38.3	8.2	2.8	10	CAP 561 030
11	29 – 39.5	45.3	8.8	3.8	10	CAP 561 130
12	35 – 46.5	52.8	9.5	5.8	10	CAP 561 230
13	42 – 54.5	60.8	10.1	7.3	10	CAP 561 330
14	50 – 61	71	11.4	11	10	CAP 561 430
15	58 – 72.5	80.5	12.6	14.5	10	CAP 561 530
16	66 – 81.5	89.5	12.6	14.5	10	CAP 561 630

Cable glands with PG-thread are available on request.

The order No. will show 1 pcs.

Please note that only order units (OU) can be ordered.

Accessories for Ex-cable glands ADE



Lock nut



Earth tag

3

Accessories for cable glands type ADE

Thread	Dimensions A mm	B mm	ØC mm	ØD mm	E mm	Weight approx. kg	OU	Order No.
Ordering details earth tag for glands								
M12 x 1.5 ISO	48.75	30	6.75	24.5	13	0.008	10	CAP 567 024
M16 x 1.5 ISO	48.75	30	6.75	24.5	13	0.008	10	CAP 567 034
M20 x 1.5 ISO	53.8	33	7	28.6	13	0.008	10	CAP 567 054
M25 x 1.5 ISO	61.5	36	10.5	34	17	0.011	10	CAP 567 074
M32 x 1.5 ISO	73	41	12.2	42	22	0.015	10	CAP 567 094
M40 x 1.5 ISO	86.5	44.5	13.5	54	30	0.025	1	CAP 567 124
M50 x 1.5 ISO	111.5	58	13.5	67	40	0.041	1	CAP 567 154
M63 x 1.5 ISO	125.5	67	13.5	77	40	0.044	1	CAP 567 184
3/8" NPT	53.8	33	7	28.6	13	0.008	10	CAP 567 044
1/2" NPT	61.5	36	10.5	34	17	0.008	10	CAP 567 064
3/4" NPT	73	41	12.2	42	22	0.008	10	CAP 567 084
1" NPT	73	41	12.2	42	22	0.011	10	CAP 567 104
1 1/4" NPT	86.5	44.5	13.5	54	30	0.015	10	CAP 567 134
1 1/2" NPT	111.5	58	13.5	67	40	0.025	1	CAP 567 154
2" NPT	125.5	67	13.5	77	40	0.041	1	CAP 567 174
2 1/2" NPT	137.5	73	13.5	89	40	0.044	1	CAP 567 194

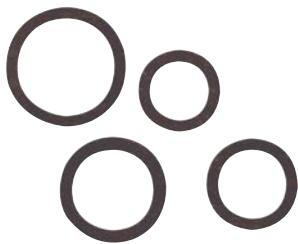
Thread ISO/NPT	A/F mm	L mm	OU	Order No.
Ordering details lock nut CuZn gal. Ni				
M12 x 1.5 ISO	14	2.8	10	CAP 221 294
M16 x 1.5 ISO	18	2.8	10	CAP 221 694
M20 x 1.5 ISO	23	3.0	10	CAP 222 094
M25 x 1.5 ISO	28	3.0	10	CAP 222 594
M32 x 1.5 ISO	36	3.5	10	CAP 223 294
M40 x 1.5 ISO	44	4.0	10	CAP 224 094
M50 x 1.5 ISO	54	5.0	10	CAP 225 094
M63 x 1.5 ISO	70	6.0	10	CAP 226 394
1/4" NPT	16	2.8	10	CAP 280 104
3/8" NPT	20	2.8	10	CAP 280 114
1/2" NPT	24	3.5	10	CAP 280 124
3/4" NPT	30	3.5	10	CAP 280 134
1" NPT	37	4.5	10	CAP 280 144
1 1/4" NPT	47	4.5	10	CAP 280 154
1 1/2" NPT	52	5.0	10	CAP 280 164
2" NPT	64	5.5	10	CAP 280 174
2 1/2" NPT	77	6.5	10	CAP 280 184
3" NPT	95	8.0	10	CAP 280 194
3 1/2" NPT	110	10.0	10	CAP 280 204
4" NPT	120	11.0	10	CAP 280 214

Cable glands with PG-thread are available on request.

The order No. will show 1 pcs.

Please note that only order units (OU) can be ordered.

Accessories for Ex-cable glands ADE



Gasket

3

Accessories for cable glands type ADE

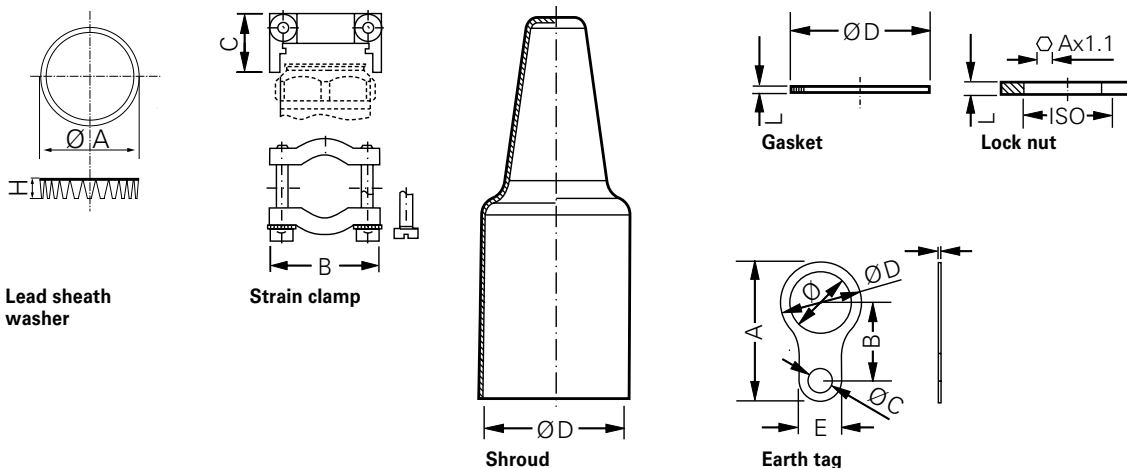
Thread	Ø D mm	L mm	OU	Order No. fibrous material	Order No. neopren
Ordering details gasket for glands					
M12	18	1.2	10	CAP 221 245	CAP 221 249
M16	22	1.2	10	CAP 221 645	CAP 221 649
M20	24	1.2	10	CAP 222 045	CAP 222 049
M25	30	1.5	10	CAP 222 545	CAP 222 549
M32	42	1.5	10	CAP 223 245	CAP 223 249
M40	52	1.5	10	CAP 224 045	CAP 224 049
M50	63	1.5	10	CAP 225 045	CAP 225 049
M63	77	2.0	10	CAP 226 345	CAP 226 349
1/4"	20	1.5	10	CAP 239 014	CAP 229 014
3/8"	22	1.5	10	CAP 239 038	CAP 229 038
1/2"	27	1.5	10	CAP 239 012	CAP 229 012
3/4"	33	1.5	10	CAP 239 034	CAP 229 034
1"	41	1.5	10	CAP 239 010	CAP 229 010
1 1/4"	52	1.5	10	CAP 239 114	CAP 229 114
1 1/2"	57	1.5	10	CAP 239 112	CAP 229 112
2"	71	2.0	10	CAP 239 020	CAP 229 020
2 1/2"	85	2.0	10	CAP 239 212	CAP 229 212
3"	104	2.0	10	CAP 238 049	CAP 229 300
3 1/2"	120	2.0	10	CAP 239 312	CAP 229 312

Cable glands with PG-thread are available on request.

The order No. will show 1 pcs.

Please note that only order units (OU) can be ordered.

Dimension drawing



Dimensions in mm



SCATTERGOOD & JOHNSON LTD

ELECTRICAL ENGINEERING & FLUID CONTROL DISTRIBUTORS

Est.1899

At Scattergood & Johnson Ltd, we pride ourselves on being a technical distributor to specialist industries.

Working with a range of quality product suppliers across a number of specialist markets, we are not your average 'box shifter' - we are your technical and supply chain partner.

We fully support every product we sell - for free! Our internal team and external sales engineers can answer any product or application question, no matter the complexity.

Backing up this technical ability is a range of 50,000+ products available from stock for nationwide next day delivery (same day if required!), or you can collect what you need from any of our trade counters around the UK.

Select your specialist interest below to learn more about how we can help.



Online, In Branch and On the Road - Scattergood & Johnson Ltd, there when you need us.

www.scatts.co.uk