

**GHG 264 - Ex-safety switches 80 A**



6-pole EMERGENCY STOP



6-pole



3/4-pole EMERGENCY STOP



3/4-pole

**Technical data**

**Ex-safety switches 80 A**

Marking accd. to 2014/34/EU	Ⓔ II 2 G Ex db e [ia/ib] IIB/IIC T5/T6 Gb / Ⓔ II 2 D Ex tb IIIC T80 °C Db	
EC-Type Examination Certificate	BVS 15 ATEX E 125 X	
IECEX Certificate of Conformity	IECEX BVS 15.0103X	
Marking accd. to IECEx	Ex db e [ia/ib] IIB/IIC T5/T6 Gb Ex tb III C T80°C Db	
Permissible ambient temperature	-20 °C up to +40 °C <sup>1)</sup>	
Rated voltage	up to max. 690 V	
Rated current	max. 80 A	
Frequency	50/60 Hz	
Rated making/breaking capacity AC-3 accd. EN 60947-3	U <sub>e</sub> 230 V / I <sub>e</sub> 80 A U <sub>e</sub> 400 V / I <sub>e</sub> 80 A U <sub>e</sub> 500 V / I <sub>e</sub> 80 A U <sub>e</sub> 690 V / I <sub>e</sub> 63 A	
Rated making-/ breaking capacity DC 1/DC 23 accd. EN 60947-3	U <sub>e</sub> 60 V / I <sub>e</sub> 80 A (1 contact) U <sub>e</sub> 120 V / I <sub>e</sub> 80 A (2 contacts in series)	
Switch-disconnector for maintenance accd. to IEC 62262-1	Class 1	
Back-up fuse	up to 400 V AC: 160 A gG up to 500 V AC: 160 A gG up to 690 V AC: 125 A gG	
Connecting terminals	main contact	2 x 25 mm <sup>2</sup>
	auxiliary/signal contact	2 x 4 mm <sup>2</sup> (option)
Protection class	I	
Degree of protection accd. to EN 60529	IP66	
Cable glands/enclosure drilling	M25 cable gland see ordering details M32 cable gland see ordering details M50 cable gland see ordering details Option: metal flange with thread	
Weight	3/4-pole	approx. 6.5 kg
	6-pole	approx. 9.0 kg
Enclosure material	glass-fibre reinforced polyester	
Enclosure colour	black	
Auxiliary contact (option)	1 x NO making - lagging; breaking - leading 1 x NC making - leading; breaking - lagging	
Padlocking facility	can be locked in OFF position with 3 commercially available padlocks (Ø max. 6 mm)	

<sup>1)</sup> Other ambient temperatures on request

**GHG 264 - Ex-safety switches 80 A**



3/4-pole



3/4-pole EMERGENCY STOP



6-pole



6-pole EMERGENCY STOP

**Ordering details**

5

Content	Cable gland	Auxiliary contact	Order No.
<b>Safety switch 80 A 3-pole</b>			
3-pole	2 x M50 / 1 x M25	1 NO + 1 NC	<b>GHG 264 0020 R0001</b>
3-pole	2 x M50	none	<b>GHG 264 0025 R0001</b>
3-pole EMERGENCY STOP	2 x M50 / 1 x M25	1 NO + 1 NC	<b>GHG 264 0020 R0002</b>
3-pole EMERGENCY STOP	2 x M50	none	<b>GHG 264 0025 R0002</b>
<b>Safety switch 80 A 4-pole</b>			
4-pole	2 x M50 / 1 x M25	1 NO + 1 NC	<b>GHG 264 0020 R0012</b>
4-pole	2 x M50	none	<b>GHG 264 0025 R0004</b>
4-pole	2 x M32	1 NO + 1 NC	<b>GHG 264 0020 R0006</b>
4-pole	2 x M32	none	<b>GHG 264 0025 R0003</b>
<b>Safety switch 80 A 6-pole</b>			
6-pole	4 x M50 / 1 x M25	1 NO + 1 NC	<b>GHG 264 0021 R0001</b>
6-pole EMERGENCY STOP	4 x M50 / 1 x M25	1 NO + 1 NC	<b>GHG 264 0021 R0002</b>

Customized version on request, auxiliary contacts in Ex ia available

**Accessories**

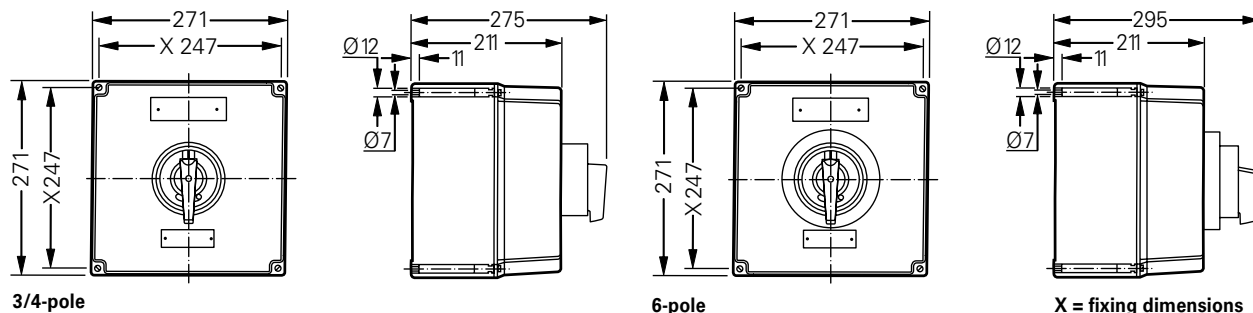
Type	Application	Fixing method	Order No.
<b>Mounting plate for Ex-safety switches 80 A 3/4- and 6-pole</b>			
Size 3	2 x pipe clamp	screw-on <sup>1)</sup>	<b>GHG 610 1953 R0110</b>

<sup>1)</sup> observe mounting distance

Type	OU	Order No.
<b>Accessories for mounting plates</b>		
Type label for label holder and mounting plates size 4 and size 5	10	<b>GHG 610 1953 R0011</b>
Mounting set for pipes 1" (of 27 - 30 mm) for mounting plates with pipe fixing	10	<b>GHG 610 1953 R0020</b>

Please pay attention that only order units (OU) according to the ordering details can be delivered.

**Dimension drawing**



Dimensions in mm



# SCATTERGOOD & JOHNSON LTD

ELECTRICAL ENGINEERING & FLUID CONTROL DISTRIBUTORS

Est.1899

At Scattergood & Johnson Ltd, we pride ourselves on being a technical distributor to specialist industries.

Working with a range of quality product suppliers across a number of specialist markets, we are not your average 'box shifter' - we are your technical and supply chain partner.

We fully support every product we sell - for free! Our internal team and external sales engineers can answer any product or application question, no matter the complexity.

Backing up this technical ability is a range of 50,000+ products available from stock for nationwide next day delivery (same day if required!), or you can collect what you need from any of our trade counters around the UK.

Select your specialist interest below to learn more about how we can help.



Online, In Branch and On the Road - Scattergood & Johnson Ltd, there when you need us.

# [www.scatts.co.uk](http://www.scatts.co.uk)