

# ADE-1F2 - for non-armoured cable

## Technical specification



**Suitable for the following cable types:**

- Non-armoured cable
- Marine shipboard cable; Type P cable
- Tray cable

Provides 25% of cable clamping. As per IEC60079 § A.2.3.2 for group II or III cable glands, "without a clamping device, additional clamping of the cable is needed to ensure that pulling & twisting is not transmitted to the terminations". We recommend using the certified ADE clamping module (page 32).

**Operating temperature:**

-60°C to +140°C



**Material:**

Nickel-plated brass for superior corrosion resistance. 316L stainless steel, bronze and aluminum options available. It is recommended that a suitable lubricant is used on all threads of stainless steel and aluminum versions.

**Ingress protection (IP):**

IP66 / IP68 according to the method of attachment and the condition of the equipment area, see page 13.

**Certifications and compliances:**

**ATEX certificate no: INERIS12ATEX0032X**

Zones 1 and 2, Groups IIA, IIB and IIC  
Zones 21 and 22 Groups IIIA, IIIB and IIIC

II2GD / Ex db IIC / Ex eb IIC / Ex tb IIIC

II3G Ex nRc IIC

**IECEX certificate no: IECEX INE 12.0025X**

Zones 1 and 2, Groups IIA, IIB and IIC  
Zones 21 and 22, Groups IIIA, IIIB and IIIC  
Ex db IIC / Ex eb IIC / Ex nRc IIC / Ex tb IIIC

**Other certificates:**

**CEPEL** 05.0558X

**CCoE** P360379-1

**KOSHA** 2015.-BO-0249 to 0256

**NANIO** TC-RU C-FR.ГБ05.В.00858

**NEPSI** GYJ13.1082X

**SABS** MS/15-0314X

**Shipping application:**

**ABS** 14-HS1274083-PDA

**BV** 40910/A0 BV

**DNV** TAE000010X

**Lloyds** 11/00072

**DTS-01:1991** compliant

**UL certification:**

**3DJN E310130 ; Class I, Zone 1\*, AEx e II**

ADE sizes 3 to 8, 1/2" to 1 1/4" NPT or ISO 20 to 40 with TC-ER-HL non-armoured cable up to 1" diameter.

**3DJN E310130 Class I Zone 2\*, AEx e II, Ex e II**

ADE sizes 3 to 17, NPT 1/2" to 4" or ISO 20 to 110 with non-armoured cable types ITC, MV, PLTC, TC-ER, TC-ER-HL, TC.

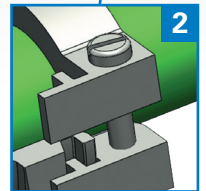
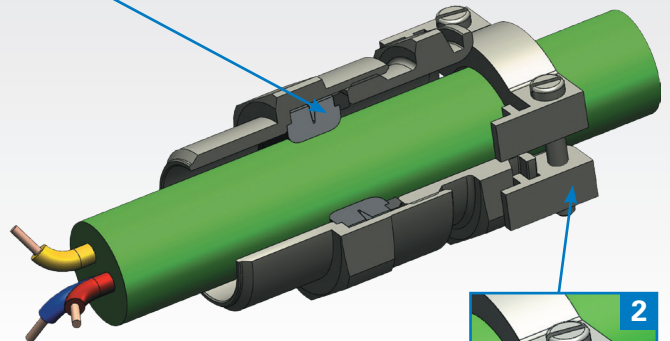
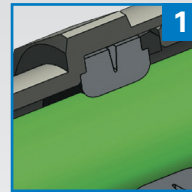
**3LRC E314047 Class I Zone 2\*, AEx e II, Ex e II**

ADE sizes 3 to 17, NPT 1/2" to 4" or ISO 20 to 110 with non-armoured marine cable.

\*Can be used in Div.2 provided that the enclosure contains no components that produce arcs or sparks.



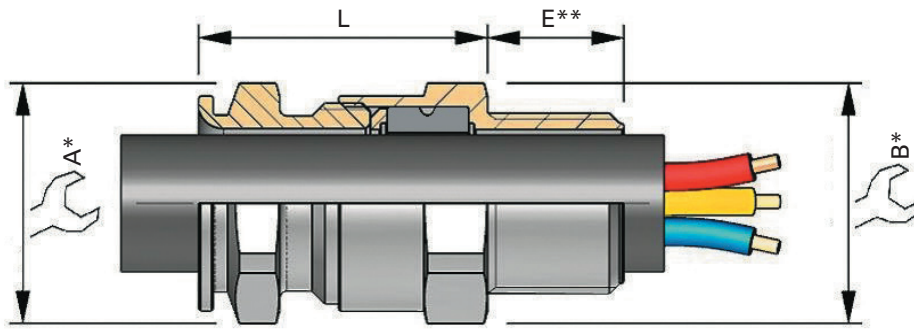
## Features and benefits



- 1:** Specifically formulated elastomer for IP sealing on outer sheath of cable.
- 2:** Additional external cable clamping for strain relief (optional).

# ADE-1F2 - order codes and dimensions

## Dimensions



\* For 'across corners' dimensions, multiply 'across flats' dimensions by 1.1

\*\* For 'E' see thread dimension page 89

SERIES	THREAD SIZE	CABLE SEALING RANGE	MATERIAL	OPTION
ADE1	M25	3	NPN	

- 0 = XS
- 1 = S
- 2 = M
- 3 = L

### CODES

- K1 Accessories kit 1
- K2 Accessories kit 2
- K3 Accessories kit 3
- BLANK No option

### KIT OPTIONS

- Kit 1 contents:
  - Locknut
  - Green composite washer
- Kit 2 contents:
  - Locknut
  - Green composite washer
  - Earth tag
  - Shroud
- Kit 3 contents:
  - Locknut
  - Green composite washer
  - Earth tag
  - Serrated washer

- NPN Nickel-plated brass
- SSN Stainless steel
- BZN Bronze
- ALN Aluminum

### SELECTION TABLE

SERIES	THREAD SIZE	THREAD SIZE CODE	THREAD SIZE	THREAD SIZE CODE	CABLE SEALING RANGE
ADE1	12*	M12	1/4**	N025	3
ADE1	16*	M16	3/8**	N038	2
ADE1	16*	M16	3/8**	N038	3
ADE1	20	M20	1/2"	N050	0
ADE1	20	M20	1/2"	N050	1
ADE1	20	M20	1/2"	N050	2
ADE1	20	M20	1/2"	N050	3
ADE1	25	M25	3/4"	N075	1
ADE1	25	M25	3/4"	N075	2
ADE1	25	M25	3/4"	N075	3
ADE1	32	M32	1"	N100	3
ADE1	40	M40	1 1/4"	N125	2
ADE1	40	M40	1 1/4"	N125	3
ADE1	50	M50	1 1/2"	N150	1
ADE1	50	M50	2"	N200	2
ADE1	63	M63	2"	N200	3
ADE1	75	M75	2 1/2"	N250	3
ADE1	90	M90	3"	N300	2
ADE1	90	M90	3"	N300	3
ADE1	110	M110	3 1/2"	N350	2
ADE1	110	M110	4"	N400	3

### DIMENSIONS

CABLE SEALING RANGE ISO/(NPT)	A	B	L (LENGTH)
4.5 - 8.0	17	17	25.0
4.5 - 8.5	17	19	25.0
7.0 - 12.0	19	19	27.5
2.8 - 5.5	15	24	24.0
4.5 - 8.5	17	24	25.0
7.0 - 12.0	19	24	27.5
10.0 - 16.0 (15.5)	24	24	32.0
7.0 - 12.0	19	30	27.5
10.0 - 16.0	24	30	32.0
13.5 - 20.5	30	30	36.5
18.0 - 27.5 (26.0)	41	41	46.0
18.0 - 27.5 (26.0)	48	48	50.0
23.0 - 34.0	48	48	50.0
29.0 - 41.0	55	55	52.0
35.0 - 45.0 (48.0)	64	64	56.5
42.0 - 56.0 (53.0)	72	72	60.0
50.0 - 65.0 (62.5)	85	85	67.5
58.0 - 74.0	95	95	69.0
66.0 - 83.0 (78.0)	110	110	80.0
75.0 - 93.0 (92.0)	120	120	80.0
85.0 - 104.0	135	135	90.0

ADE GLAND SIZE	CATALOG NUMBER ISO	CATALOG NUMBER NPT
4	ADE1M123NPN	ADE1N0253NPN
4	ADE1M162NPN	ADE1N0382NPN
5	ADE1M163NPN	ADE1N0383NPN
3	ADE1M200NPN	ADE1N0500NPN
4	ADE1M201NPN	ADE1N0501NPN
5	ADE1M202NPN	ADE1N0502NPN
6	ADE1M203NPN	ADE1N0503NPN
5	ADE1M251NPN	ADE1N0751NPN
6	ADE1M252NPN	ADE1N0752NPN
7	ADE1M253NPN	ADE1N0753NPN
8	ADE1M323NPN	ADE1N1003NPN
8	ADE1M402NPN	ADE1N1252NPN
9	ADE1M403NPN	ADE1N1253NPN
10	ADE1M501NPN	ADE1N1501NPN
11	ADE1M502NPN	ADE1N2002NPN
12	ADE1M633NPN	ADE1N2003NPN
13	ADE1M753NPN	ADE1N2503NPN
14	ADE1M902NPN	ADE1N3002NPN
15	ADE1M903NPN	ADE1N3003NPN
16	ADE1M1102NPN	ADE1N3502NPN
17	ADE1M1103NPN	ADE1N4003NPN

\* Not UL certified. All dimensions in mm. Above catalog numbers are for nickel-plated brass; refer to order code diagram for other options. For Group I certification, see page 80.



# SCATTERGOOD & JOHNSON LTD

ELECTRICAL ENGINEERING & FLUID CONTROL DISTRIBUTORS

Est.1899

At Scattergood & Johnson Ltd, we pride ourselves on being a technical distributor to specialist industries.

Working with a range of quality product suppliers across a number of specialist markets, we are not your average 'box shifter' - we are your technical and supply chain partner.

We fully support every product we sell - for free! Our internal team and external sales engineers can answer any product or application question, no matter the complexity.

Backing up this technical ability is a range of 50,000+ products available from stock for nationwide next day delivery (same day if required!), or you can collect what you need from any of our trade counters around the UK.

Select your specialist interest below to learn more about how we can help.



Online, In Branch and On the Road - Scattergood & Johnson Ltd, there when you need us.

# [www.scatts.co.uk](http://www.scatts.co.uk)