

# ADE-4F - for armoured cable

## Technical specification



**Suitable for the following cable types:**

- Steel wire armoured cable (SWA)
- Steel wire braided cable (SWB)
- Steel tape armoured cable (STA)
- Braided marine shipboard cable; Type P cable
- Lead sheathed cable (with addition of earthing washer)

Double seal provides 100% of cable clamping, including braided cables.

**Operating temperature:**

-60°C to +140°C



**Material:**

Nickel-plated brass for superior corrosion resistance. 316L stainless steel, bronze and aluminum options available. It is recommended that a suitable lubricant is used on all threads of stainless steel and aluminum versions.

**Ingress protection (IP):**

IP66 / IP68 according to the method of attachment and the condition of the equipment area, see page 13.

**Certifications and compliances:**

**ATEX certificate no: INERIS12ATEX0032X**

Zones 1 and 2, Groups IIA, IIB and IIC  
Zones 21 and 22, Groups IIIA, IIIB and IIIC

II2GD / Ex db IIC / Ex eb IIC / Ex tb IIIC

II3G Ex nRc IIC

IM2 / Ex db I / Ex eb I ; For mining applications

Brass or bronze: ADE sizes 8 to 17; 3/4" to 4" NPT, ISO 25 to 110  
stainless steel: ADE sizes 4 to 17; 3/8" to 4" NPT, ISO 16 to 110

**IECEx certificate no: IECEx INE 12.0025X**

Zones 1 and 2, Groups IIA, IIB and IIC  
Zones 21 and 22, Groups IIIA, IIIB and IIIC  
Ex db IIC / Ex eb IIC / Ex nRc IIC / Ex tb IIIC

Ex db I / Ex eb I ; For mining applications

Brass or bronze: ADE sizes 8 to 17; 3/4" to 4" NPT, ISO 25 to 110  
stainless steel: ADE sizes 4 to 17; 3/8" to 4" NPT, ISO 16 to 110

**Other certificates:**

**CEPEL** 05.0559X

**CCoE** P360379-1

**KOSHA** 2015-BO-0245 to 0248

**NANIO** TC-RU C-FR.ГБ05.В.00858

**NEPSI** GYJ13.1082X

**SABS** MS/15-0314X

**Shipping application:**

**ABS** 14-HS1274083-PDA

**BV** 40910/A0 BV

**DNV** TAE000010X

**Lloyds** 11/00072

**DTS-01:1991** compliant

**UL certification:**

**3DJN E310130 Class I Zone 2\*, AEx e II, Ex e II**

ADE sizes 4 to 17, NPT 1/2" to 4" or ISO 20 to 110 with armoured cable types ITC, MV, PLTC, TC-ER, TC-ER-HL, TC.

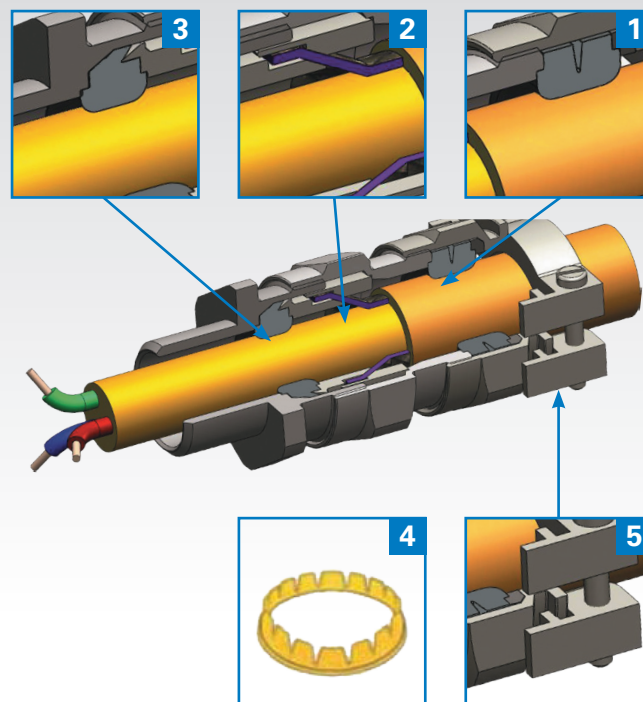
**3LRC E314047 Class I Zone 2\*, AEx e II, Ex e II**

ADE sizes 4 to 17, NPT 1/2" to 4" or ISO 20 to 110 with armoured marine cable.

\* Can be used in Div.2 provided that the enclosure contains no components that produce arcs or sparks.



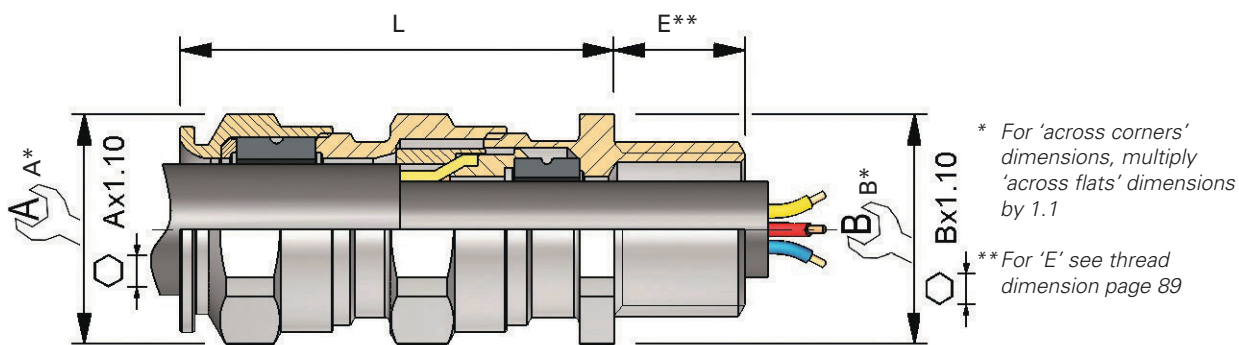
## Features and benefits



- 1:** Specifically formulated elastomer for IP sealing on outer sheath of cable.
- 2:** Universal clamping design for earthing and bonding of armour shield. Provides mechanical strength and is suitable for all armour shield types, with no requirement to reverse components that may introduce risk of incorrect installation.
- 3:** Specifically formulated elastomer for flame path sealing on inner sheath of the cable.
- 4:** Suitable for lead sheath cable with installation of simple washer.
- 5:** Additional external cable clamping for strain relief (optional).

# ADE-4F - order codes and dimensions

## Dimensions



SERIES	THREAD SIZE	CABLE SEALING RANGE	MATERIAL	OPTION	CODES		KIT OPTIONS	
ADE4	M25	3	NPN		K1	Accessories kit 1	K1	Kit 1 contents:
					K2	Accessories kit 2		• Locknut
					K3	Accessories kit 3		• Green composite washer
					BLANK	No option		Kit 2 contents:
							K2	• Locknut
								• Green composite washer
								• Earth tag
								• Shroud
							K3	Kit 3 contents:
					NPN	Nickel-plated brass		• Locknut
					SSN	Stainless steel		• Green composite washer
					BZN	Bronze		• Earth tag
					ALN	Aluminum (not Group I)		• Serrated washer

0 = XS  
 1 = S  
 2 = M  
 3 = L

SELECTION TABLE						DIMENSIONS						ADE GLAND SIZE	CATALOG NUMBER ISO	CATALOG NUMBER NPT
SERIES	THREAD SIZE	THREAD SIZE CODE	THREAD SIZE	THREAD SIZE CODE	CABLE SEALING RANGE	CABLE SEALING RANGE		ARMOUR MIN - MAX	A	B	L (LENGTH)			
	ISO	NPT	INNER SHEATH MIN - MAX	OUTER SHEATH MIN - MAX										
ADE4	12*	M12	1/4"	N025	3	4.5 - 8.0	7.0 - 12.0	0.2 - 0.9	19	19	46.0	5	ADE4M123NPN	ADE4N0253NPN
ADE4	16*	M16	3/8"	N038	1	2.8 - 5.5	4.5 - 8.5	0.2 - 0.9	17	19	41.0	4	ADE4M161NPN	ADE4N0381NPN
ADE4	16*	M16	3/8"	N038	2	4.5 - 8.0	7.0 - 12.0	0.2 - 0.9	19	19	46.0	5	ADE4M162NPN	ADE4N0382NPN
ADE4	16*	M16	3/8"	N038	3	7.0 - 12.0	10.0 - 16.0	0.2 - 1.3	24	24	51.0	6	ADE4M163NPN	ADE4N0383NPN
ADE4	20	M20	1/2"	N050	0	2.8 - 5.5	4.5 - 8.5	0.2 - 0.9	17	24	41.0	4	ADE4M200NPN	ADE4N0500NPN
ADE4	20	M20	1/2"	N050	1	4.5 - 8.0	7.0 - 12.0	0.2 - 0.9	19	24	46.0	5	ADE4M201NPN	ADE4N0501NPN
ADE4	20	M20	1/2"	N050	2	7.0 - 12.0	10.0 - 16.0	0.2 - 1.3	24	24	51.0	6	ADE4M202NPN	ADE4N0502NPN
ADE4	20	M20	1/2"	N050	3	10.0 - 15.5	13.5 - 21.0	0.2 - 1.3	30	30	57.5	7	ADE4M203NPN	ADE4N0503NPN
ADE4	25	M25	3/4"	N075	1	7.0 - 12.0	10.0 - 16.0	0.2 - 1.3	24	30	51.0	6	ADE4M251NPN	ADE4N0751NPN
ADE4	25	M25	3/4"	N075	2	10.0 - 15.5	13.5 - 21.0	0.2 - 1.3	30	30	57.5	7	ADE4M252NPN	ADE4N0752NPN
ADE4	25	M25	3/4"	N075	3	13.5 - 20.5	18.0 - 27.5	0.2 - 1.6	41	41	68.0	8	ADE4M253NPN	ADE4N0753NPN
ADE4	32	M32	1"	N100	2	13.5 - 21.0	18.0 - 27.5	0.2 - 1.6	41	41	68.0	8	ADE4M322NPN	ADE4N1002NPN
ADE4	32	M32	1"	N100	3	18.0 - 26.0	23.0 - 34.0	0.2 - 1.6	48	48	76.0	9	ADE4M323NPN	ADE4N1003NPN
ADE4	40	M40	1 1/4"	N125	2	18.0 - 27.5	23.0 - 34.0	0.2 - 1.6	48	48	76.0	9	ADE4M402NPN	ADE4N1252NPN
ADE4	40	M40	1 1/4"	N125	3	23.0 - 34.0	29.0 - 41.0	0.2 - 2.0	55	55	88.0	10	ADE4M403NPN	ADE4N1253NPN
ADE4	50	M50	1 1/2"	N150	2	23.0 - 34.0	29.0 - 41.0	0.2 - 2.0	55	55	88.0	10	ADE4M502NPN	ADE4N1502NPN
ADE4	50	M50	1 1/2"	N150	3	29.0 - 41.0	35.0 - 48.0	0.2 - 2.5	64	64	97.0	11	ADE4M503NPN	ADE4N1503NPN
ADE4	63	M63	2"	N200	2	35.0 - 48.0	42.0 - 56.0	0.2 - 2.5	72	72	102.0	12	ADE4M632NPN	ADE4N2002NPN
ADE4	63	M63	2"	N200	3	42.0 - 53.0	50.0 - 65.0	0.2 - 2.5	85	85	117.0	13	ADE4M633NPN	ADE4N2003NPN
ADE4	75	M75	2 1/2"	N250	2	42.0 - 56.0	50.0 - 65.0	0.2 - 2.5	85	85	117.0	13	ADE4M752NPN	ADE4N2502NPN
ADE4	75	M75	2 1/2"	N250	3	50.0 - 62.5	58.0 - 74.0	0.2 - 2.5	95	95	124.0	14	ADE4M753NPN	ADE4N2503NPN
ADE4	90	M90	3"	N300	1	58.0 - 74.0	66.0 - 83.0	0.2 - 3.2	110	110	133.0	15	ADE4M901NPN	ADE4N3001NPN
ADE4	90	M90	3"	N300	2	66.0 - 78.0	75.0 - 93.0	0.2 - 3.2	120	120	140.0	16	ADE4M902NPN	ADE4N3002NPN
ADE4	90	M90	3 1/2"	N350	3	66.0 - 83.0	85.0 - 104.0	0.2 - 3.5	135	135	150.0	17	ADE4M903NPN	ADE4N3503NPN
ADE4	110	M110	4"	N400	3	75.0 - 93.0	85.0 - 104.0	0.2 - 3.5	135	135	150.0	17	ADE4M1103NPN	ADE4N4003NPN

\* Not UL certified. All dimensions in mm. Above catalog numbers are for nickel-plated brass; refer to order code diagram for other options.

For Group I certification, see page 80



# SCATTERGOOD & JOHNSON LTD

ELECTRICAL ENGINEERING & FLUID CONTROL DISTRIBUTORS

Est.1899

At Scattergood & Johnson Ltd, we pride ourselves on being a technical distributor to specialist industries.

Working with a range of quality product suppliers across a number of specialist markets, we are not your average 'box shifter' - we are your technical and supply chain partner.

We fully support every product we sell - for free! Our internal team and external sales engineers can answer any product or application question, no matter the complexity.

Backing up this technical ability is a range of 50,000+ products available from stock for nationwide next day delivery (same day if required!), or you can collect what you need from any of our trade counters around the UK.

Select your specialist interest below to learn more about how we can help.



Online, In Branch and On the Road - Scattergood & Johnson Ltd, there when you need us.

# [www.scatts.co.uk](http://www.scatts.co.uk)