

# ADE-5F - for armoured cable

## Technical specification



**Suitable for the following cable types:**

- Steel wire armoured cable (SWA)
- Steel wire braided cable (SWB)
- Steel tape armoured cable (STA)
- Braided marine shipboard cable; Type P cable
- Lead sheathed cable (with addition of earthing washer)

**With inspectable clamping for wire or braid**  
 Double seal provides 100% of cable clamping, including braided cables.

**Operating temperature:**

-60°C to +140°C



**Material:**

Nickel-plated brass for superior corrosion resistance. 316L stainless steel, bronze and aluminum options available. It is recommended that a suitable lubricant is used on all threads of stainless steel and aluminum versions.

**Ingress protection (IP):**

IP66 / IP68 according to the method of attachment and the condition of the equipment area, see page 13.

**Certifications and compliances:**

**ATEX certificate no: INERIS12ATEX0032X**

Zones 1 and 2, Groups IIA, IIB and IIC  
 Zones 21 and 22, Groups IIIA, IIIB and IIIC

II2GD / Ex db IIC / Ex eb IIC / Ex tb IIIC

II3G Ex nRc IIC

IM2 / Ex db I / Ex eb I ; For mining applications

Brass or bronze: ADE sizes 8 to 17; 3/4" to 4" NPT, ISO 25 to 110  
 stainless steel: ADE sizes 4 to 17; 3/8" to 4" NPT, ISO 16 to 110

**IECEX certificate no: IECEX INE 12.0025X**

Zones 1 and 2, Groups IIA, IIB and IIC  
 Zones 21 and 22, Groups IIIA, IIIB and IIIC

Ex db I / Ex eb I ; For mining applications

Brass or bronze: ADE sizes 8 to 17; 3/4" to 4" NPT, ISO 25 to 110  
 stainless steel: ADE sizes 4 to 17; 3/8" to 4" NPT, ISO 16 to 110

**Other certificates:**

**CEPEL** 05.0559X

**CCoE** P360379-1

**KOSHA** 2015-BO-0483 to 0490

**NANIO** TC-RU C-FR.ГБ05.B.00858

**NEPSI** GYJ13.1082X

**SABS** MS/15-0314X

**Shipping application:**

**ABS** 14-HS1274083-PDA

**BV** 40910/A0 BV

**DNV** TAE000010X

**Lloyds** 11/00072

**DTS-01:1991** compliant

**UL certification:**

**3DJN E310130 Class I Zone 2\*, AEx e II, Ex e II**

ADE sizes 4 to 17, NPT 1/2" to 4" or ISO 20 to 110 with armoured cable types ITC, MV, PLTC, TC-ER, TC-ER-HL, TC.

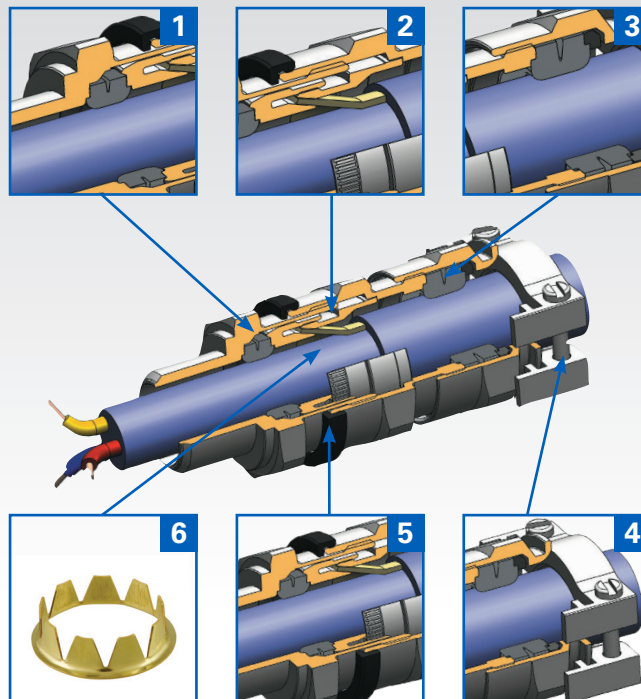
**3LRC E314047 Class I Zone 2\*, AEx e II, Ex e II**

ADE sizes 4 to 17, NPT 1/2" to 4" or ISO 20 to 110 with armoured marine cable.

\* Can be used in Div.2 provided that the enclosure contains no components that produce arcs or sparks.

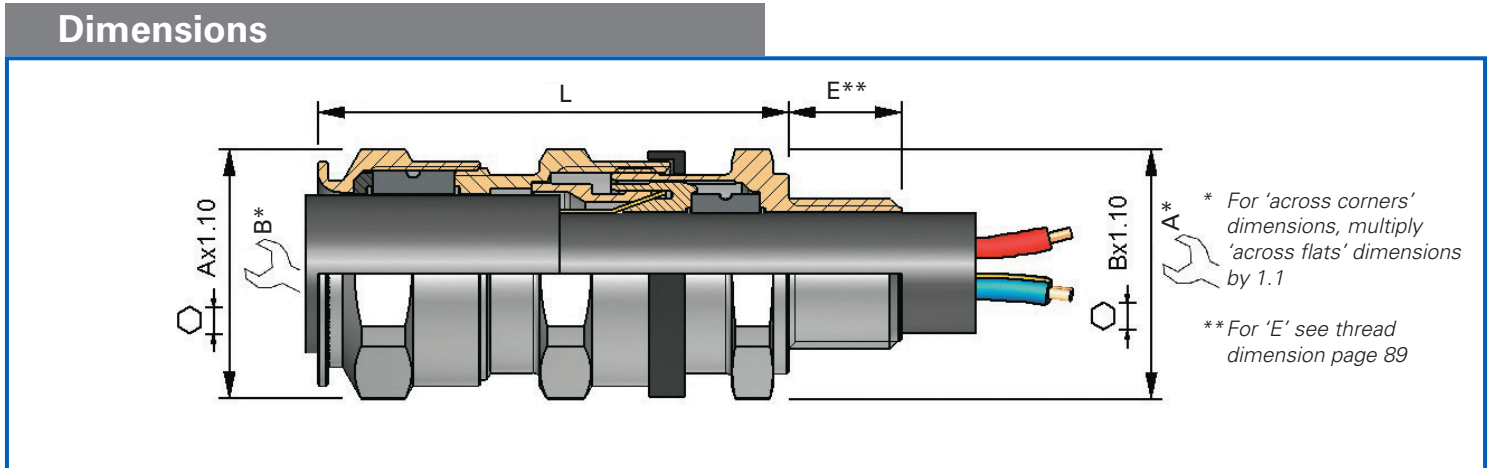


## Features and benefits



- 1:** Specifically formulated elastomer for flame path sealing on inner sheath of cable.
- 2:** Anti-rotation feature providing simplified inspectability of armour clamping and grounding system.
- 3:** Specifically formulated elastomer for IP sealing on outer sheath of cable.
- 4:** Additional external cable clamping for strain relief (optional).
- 5:** Additional deluge seal available for ADE-5F gland sizes No.12 to No.17.
- 6:** Suitable for lead sheath cable with installation of simple washer (optional).

# ADE-5F - order codes and dimensions



SERIES	THREAD SIZE	CABLE SEALING RANGE	MATERIAL	OPTION
ADE5	M25	3	NPN	

CODES	
K1	Accessories kit 1
K2	Accessories kit 2
K3	Accessories kit 3
BLANK	No option

KIT OPTIONS	
K1	Kit 1 contents: • Locknut • Green composite washer
K2	Kit 2 contents: • Locknut • Green composite washer • Earth tag • Shroud
K3	Kit 3 contents: • Locknut • Green composite washer • Earth tag • Serrated washer

MATERIAL	DESCRIPTION
NPN	Nickel-plated brass
SSN	Stainless steel
BZN	Bronze
ALN	Aluminum (not Group I)

0 = XS  
1 = S  
2 = M  
3 = L

When the "DTS" prefix is specified before the "K" of the kit option, a deluge ring will be included. The deluge rings are available for sizes 12-17 only. (Ex: ADE5N2003NPNDTSK1)

SELECTION TABLE						DIMENSIONS					ADE GLAND SIZE	CATALOG NUMBER ISO	CATALOG NUMBER NPT	
SERIES	THREAD SIZE	THREAD SIZE CODE	THREAD SIZE	THREAD SIZE CODE	CABLE SEALING RANGE	CABLE SEALING RANGE		ARMOUR MIN-MAX	A	B				L (LENGTH)
						INNER SHEATH MIN - MAX	OUTER SHEATH MIN - MAX							
		ISO	NPT											
ADE5	12*	M12	1/4"*	N025	3	4.5 - 8.0	7.0 - 12.0	0.2 - 0.9	19	19	55.0	5	ADE5M123NPN	ADE5N0253NPN
ADE5	16*	M16	3/8"*	N038	2	4.5 - 8.0	7.0 - 12.0	0.2 - 0.9	19	19	55.0	5	ADE5M162NPN	ADE5N0382NPN
ADE5	16*	M16	3/8"*	N038	3	7.0 - 12.0	10.0 - 16.0	0.2 - 1.2	24	24	57.0	6	ADE5M163NPN	ADE5N0383NPN
ADE5	20	M20	1/2"	N050	1	4.5 - 8.0	7.0 - 12.0	0.2 - 0.9	19	24	55.0	5	ADE5M201NPN	ADE5N0501NPN
ADE5	20	M20	1/2"	N050	2	7.0 - 12.0	10.0 - 16.0	0.2 - 1.2	24	24	57.0	6	ADE5M202NPN	ADE5N0502NPN
ADE5	20	M20	1/2"	N050	3	10.0 - 15.5	13.5 - 21.0	0.2 - 1.2	30	30	64.0	7	ADE5M203NPN	ADE5N0503NPN
ADE5	25	M25	3/4"	N075	1	7.0 - 12.0	10.0 - 16.0	0.2 - 1.2	24	30	57.0	6	ADE5M251NPN	ADE5N0751NPN
ADE5	25	M25	3/4"	N075	2	10.0 - 15.5	13.5 - 21.0	0.2 - 1.2	30	30	64.0	7	ADE5M252NPN	ADE5N0752NPN
ADE5	25	M25	3/4"	N075	3	13.5 - 20.5	18.0 - 27.5	0.2 - 1.6	41	41	75.0	8	ADE5M253NPN	ADE5N0753NPN
ADE5	32	M32	1"	N100	2	13.5 - 21.0	18.0 - 27.5	0.2 - 1.6	41	41	75.0	8	ADE5M322NPN	ADE5N1002NPN
ADE5	32	M32	1"	N100	3	18.0 - 26.0	23.0 - 34.0	0.2 - 1.6	48	48	83.0	9	ADE5M323NPN	ADE5N1003NPN
ADE5	40	M40	1 1/4"	N125	2	18.0 - 27.5	23.0 - 34.0	0.2 - 1.6	48	48	83.0	9	ADE5M402NPN	ADE5N1252NPN
ADE5	40	M40	1 1/4"	N125	3	23.0 - 34.0	29.0 - 41.0	0.2 - 2.0	55	55	90.0	10	ADE5M403NPN	ADE5N1253NPN
ADE5	50	M50	1 1/2"	N150	2	23.0 - 34.0	29.0 - 41.0	0.2 - 2.0	55	55	90.0	10	ADE5M502NPN	ADE5N1502NPN
ADE5	50	M50	1 1/2"	N150	3	29.0 - 41.0	35.0 - 48.0	0.2 - 2.5	64	64	99.0	11	ADE5M503NPN	ADE5N1503NPN
ADE5	63	M63	2"	N200	2	35.0 - 48.0	42.0 - 56.0	0.2 - 2.5	72	72	108.0	12	ADE5M632NPN	ADE5N2002NPN
ADE5	63	M63	2"	N200	3	42.0 - 53.0	50.0 - 65.0	0.2 - 2.5	85	85	120.0	13	ADE5M633NPN	ADE5N2003NPN
ADE5	75	M75	2 1/2"	N250	2	42.0 - 56.0	50.0 - 65.0	0.2 - 2.5	85	85	120.0	13	ADE5M752NPN	ADE5N2502NPN
ADE5	75	M75	2 1/2"	N250	3	50.0 - 62.5	58.0 - 74.0	0.2 - 2.5	95	95	128.0	14	ADE5M753NPN	ADE5N2503NPN
ADE5	90	M90	3"	N300	2	58.0 - 74.0	66.0 - 83.0	0.2 - 3.1	110	110	150.0	15	ADE5M902NPN	ADE5N3002NPN
ADE5	90	M90	3"	N300	3	66.0 - 78.0	75.0 - 93.0	0.2 - 3.1	120	120	160.0	16	ADE5M903NPN	ADE5N3003NPN
ADE5	110	M110	4"	N400	3	75.0 - 93.0	85.0 - 104.0	0.2 - 3.5	135	135	172.0	17	ADE5M1103NPN	ADE5N4003NPN

\* Not UL certified. All dimensions in mm. Above catalog numbers are for nickel-plated brass; refer to order code diagram for other options. For Group I certification, see page 80.



# SCATTERGOOD & JOHNSON LTD

ELECTRICAL ENGINEERING & FLUID CONTROL DISTRIBUTORS

Est.1899

At Scattergood & Johnson Ltd, we pride ourselves on being a technical distributor to specialist industries.

Working with a range of quality product suppliers across a number of specialist markets, we are not your average 'box shifter' - we are your technical and supply chain partner.

We fully support every product we sell - for free! Our internal team and external sales engineers can answer any product or application question, no matter the complexity.

Backing up this technical ability is a range of 50,000+ products available from stock for nationwide next day delivery (same day if required!), or you can collect what you need from any of our trade counters around the UK.

Select your specialist interest below to learn more about how we can help.



Online, In Branch and On the Road - Scattergood & Johnson Ltd, there when you need us.

# [www.scatts.co.uk](http://www.scatts.co.uk)