

# ADE-6FC - for armoured cable

## Technical specification



**Suitable for the following cable types:**

- Steel wire armoured cable (SWA)
- Steel wire braided cable (SWB)
- Steel tape armoured cable (STA)
- Braided marine shipboard cable; Type P cable
- Tray cable

**With inspectable clamping for wire or braid**

Sealing ring and TSC compound provides 100% of cable clamping.

**Operating temperature:**

For all certificates, excluding UL E324850: -60°C to +80°C  
 For UL certificate UL E324850: -20°C to +40°C

**Material:**

Nickel-plated brass for superior corrosion resistance. 316L stainless steel, bronze and aluminum options available. It is recommended that a suitable lubricant is used on all threads of stainless steel and aluminum versions.

**Ingress protection (IP):**

IP66 / IP68 according to the method of attachment and the condition of the equipment area, see page 13.  
 Equipped with 'deluge' seal.

**Certifications and compliances:**

**ATEX certificate no: INERIS12ATEX0032X**

Zones 1 and 2, Groups IIA, IIB and IIC  
 Zones 21 and 22, Groups IIIA, IIIB and IIIC

II2GD / Ex db IIC / Ex eb IIC / Ex tb IIIC

II3G Ex nRc IIC

IM2 / Ex db I / Ex eb I ; For mining applications

Brass, stainless steel or bronze: ADE sizes 11 to 17; 2" to 4" NPT, ISO 50 to 110

**IECEx certificate no: IECEx INE 12.0025X**

Zones 1 and 2, Groups IIA, IIB and IIC  
 Zones 21 and 22, Groups IIIA, IIIB and IIIC  
 Ex db IIC / Ex eb IIC / Ex nRc IIC / Ex tb IIIC

Ex db I / Ex eb I ; For mining applications

Brass, stainless steel or bronze: ADE sizes 11 to 17; 2" to 4" NPT, ISO 50 to 110

**Other certificates:**

**CEPEL** 05.0559X

**CCoE** P360379-1

**KOSHA** 2015-BO-0491 to 0494

**NANIO** TC-RU C-FR.ГБ05.B.00858

**NEPSI** GYJ13.1082X

**SABS** MS/15-0314X

**Shipping application:**

**ABS** 14-HS1274083-PDA

**BV** 40910/A0 BV

**DNV** TAE000010X

**Lloyds** 11/00072

**DTS-01:1991** compliant

**UL certification:**



**3DJN E310130 Class I Zone 2, AEx de II, Ex de II**

ADE sizes 5 to 17, NPT 1/2" to 4" or ISO 20 to 110 with armoured cable types ITC, MV, PLTC, TC-ER, TC-ER-HL, TC and TSC epoxy sealing compound.



**3DJN E310130 Class I Division 1, Groups A, B, C and D**

ADE sizes 5 to 9, NPT 1/2" to 1 1/4" or ISO 20 to 40 with non-armoured cable types TC-ER-HL and TSC epoxy sealing compound.

ADE sizes 5 to 17, NPT 1/2" to 4" or ISO 20 to 110 with non-armoured cable types ITC-HL and TSC epoxy sealing compound.



**3DJN E310130 Class I Division 2, Groups A, B, C and D**

ADE sizes 5 to 17, NPT 1/2" to 4" or ISO 20 to 110 with non-armoured cable types PLTC, PLTC-ER, ITC, ITC-ER, ITC-HL, TC, TC-ER, TC-ER-HL, MV and TSC epoxy sealing compound.

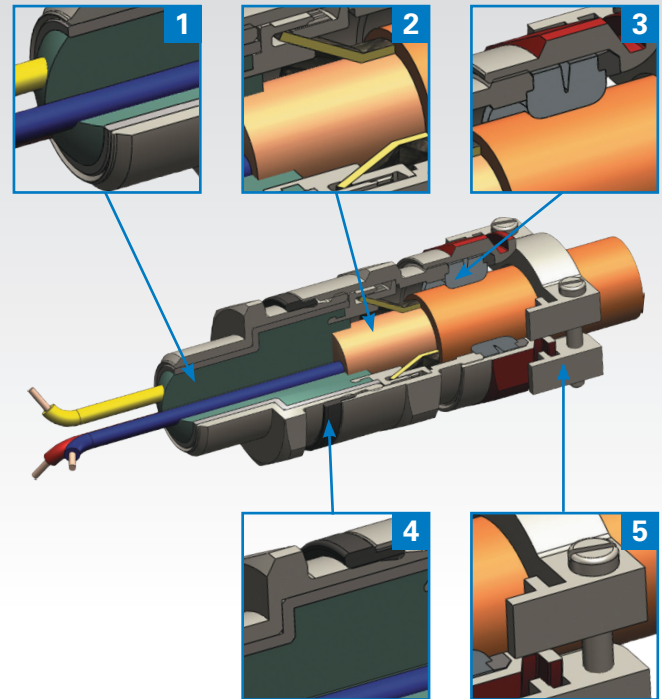


**4EC5 E324850 Class I Division 1, Groups A, B, C and D**

ADE sizes 5 to 17, NPT 1/2" to 4" or ISO 20 to 110 with armoured marine cable and TSC epoxy sealing compound.



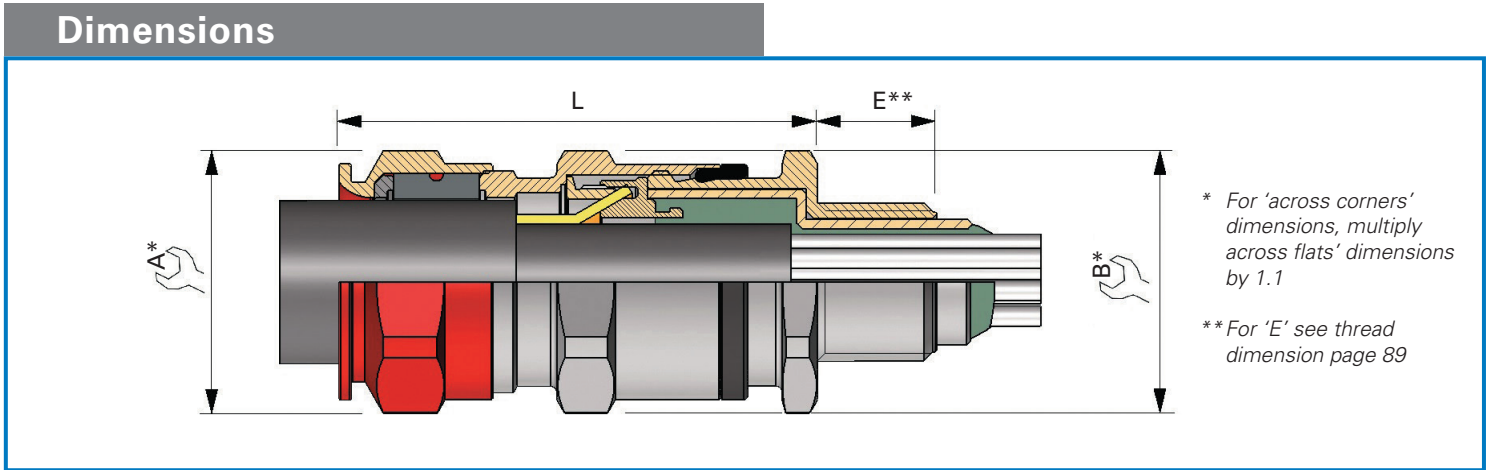
## Features and benefits



- 1:** Sealing of cable conductors with compound barrier seal.
- 2:** Universal clamping design for earthing and bonding of armour shield. Provides mechanical strength and is suitable for all armour shield types, with no requirement to reverse components that may introduce risk of incorrect installation. Fully inspectable.
- 3:** Specifically formulated elastomer for IP sealing on outer sheath of cable.
- 4:** Deluge performance to avoid water ingress through the thread.
- 5:** Additional external cable clamping for strain relief (optional).

\* Can be used in Div.2 provided that the enclosure contains no components that produce arcs or sparks.

# ADE-6FC - order codes and dimensions



SERIES	THREAD SIZE	CABLE SEALING RANGE	MATERIAL	BARRIER	OPTION
ADE6C	M25	3	NP	SCN	

CODES	KIT OPTIONS
K1 K2 K3 BLANK	<p>Kit 1 contents:</p> <ul style="list-style-type: none"> <li>• Locknut</li> <li>• Green composite washer</li> </ul> <p>Kit 2 contents:</p> <ul style="list-style-type: none"> <li>• Locknut</li> <li>• Green composite washer</li> <li>• Earth tag</li> <li>• Shroud</li> </ul> <p>Kit 3 contents:</p> <ul style="list-style-type: none"> <li>• Locknut</li> <li>• Green composite washer</li> <li>• Earth tag</li> <li>• Serrated washer</li> </ul>
SCN	Solid compound
NP	Nickel-plated brass
SS	Stainless steel
BZ	Bronze

0 = XS  
1 = S  
2 = M  
3 = L

SELECTION TABLE						DIMENSIONS								ADE GLAND SIZE	CATALOG NUMBER ISO	CATALOG NUMBER NPT
SERIES	THREAD SIZE	THREAD SIZE CODE	THREAD SIZE CODE	THREAD SIZE CODE	CABLE SEALING RANGE	OUTER SHEATH MIN - MAX	CONDUCTORS			MAX ARMOUR THICKNESS	A	B	L (LENGTH)			
	ISO	NPT	NPT	NPT			C = Ø MAX COVER CORES	Ø MAX INNER SHEATH	MAX No OF CORES							
ADE6C	16*	M16	3/8**	N038	3	6.0 - 12.0	6.5	8.0	6	0.9	19	19	47.5	5	ADE6CM163NPSCN	ADE6CN0383NPSCN
ADE6C	20	M20	1/2"	N050	1	6.0 - 12.0	6.5	8.0	6	0.9	19	24	47.5	5	ADE6CM201NPSCN	ADE6CN0501NPSCN
ADE6C	20	M20	1/2"	N050	2	8.5 - 16.0	9.5	12.0	6	1.2	24	24	54.5	6	ADE6CM202NPSCN	ADE6CN0502NPSCN
ADE6C	20	M20	1/2"	N050	3	12.0 - 21.0	12.0	16.0	10	1.2	30	30	60.5	7	ADE6CM203NPSCN	ADE6CN0503NPSCN
ADE6C	25	M25	3/4"	N075	2	12.0 - 21.0	12.0	16.0	10	1.2	30	30	60.5	7	ADE6CM252NPSCN	ADE6CN0752NPSCN
ADE6C	25	M25	3/4"	N075	3	16.0 - 27.5	17.0	21.0	21	1.6	41	41	74.0	8	ADE6CM253NPSCN	ADE6CN0753NPSCN
ADE6C	32	M32	1"	N100	2	16.0 - 27.5	17.0	21.0	21	1.6	41	41	74.0	8	ADE6CM322NPSCN	ADE6CN1002NPSCN
ADE6C	32	M32	1"	N100	3	21.0 - 34.0	23.0	27.5	42	1.6	48	48	83.0	9	ADE6CM323NPSCN	ADE6CN1003NPSCN
ADE6C	40	M40	1 1/4"	N125	2	21.0 - 34.0	23.0	27.5	42	1.6	48	48	83.0	9	ADE6CM402NPSCN	ADE6CN1252NPSCN
ADE6C	40	M40	1 1/4"	N125	3	27.0 - 41.0	29.0	34.0	60	2.0	55	55	92.0	10	ADE6CM403NPSCN	ADE6CN1253NPSCN
ADE6C	50	M50	1 1/2"	N150	2	27.0 - 41.0	29.0	34.0	60	2.0	55	55	92.0	10	ADE6CM502NPSCN	ADE6CN1502NPSCN
ADE6C	50	M50	2"	N200	1	33.0 - 48.0	36.5	41.0	80	2.5	64	64	104.0	11	ADE6CM501NPSCN	ADE6CN2001NPSCN
ADE6C	63	M63	2"	N200	2	40.0 - 56.0	43.0	48.0	100	2.5	72	72	108.0	12	ADE6CM632NPSCN	ADE6CN2002NPSCN
ADE6C	63	M63	2"	N200	3	46.0 - 65.0	50.0	56.0	100	2.5	85	85	118.0	13	ADE6CM633NPSCN	ADE6CN2003NPSCN
ADE6C	75	M75	2 1/2"	N250	2	46.0 - 65.0	50.0	56.0	100	2.5	85	85	118.0	13	ADE6CM752NPSCN	ADE6CN2502NPSCN
ADE6C	75	M75	2 1/2"	N250	3	54.0 - 74.0	59.0	65.0	120	2.5	95	95	124.0	14	ADE6CM753NPSCN	ADE6CN2503NPSCN
ADE6C	-	-	3"	N300	1	54.0 - 74.0	59.0	65.0	120	2.5	95	95	124.0	14	-	ADE6CN3001NPSCN
ADE6C	90	M90	3"	N300	2	63.0 - 83.0	66.0	73.0	140	3.1	110	110	133.0	15	ADE6CM902NPSCN	ADE6CN3002NPSCN
ADE6C	-	-	3 1/2"	N350	2	63.0 - 83.0	66.0	73.0	140	3.1	110	110	133.0	15	-	ADE6CN3502NPSCN
ADE6C	90	M90	3"	N300	3	72.0 - 93.0	75.0	82.0	140	3.1	120	120	137.0	16	ADE6CM903NPSCN	ADE6CN3003NPSCN
ADE6C	-	-	3 1/2"	N350	3	72.0 - 93.0	75.0	82.0	140	3.1	120	120	137.0	16	-	ADE6CN3503NPSCN
ADE6C	110	M110	4"	N400	3	85.0 - 104.0	85.0	92.0	200	3.5	135	135	142.0	17	ADE6CM1103NPSCN	ADE6CN4003NPSCN

\* Not UL certified. All dimensions in mm. Above catalog numbers are for nickel-plated brass; refer to order code diagram for other options.

For Group I certification, see page 80.



# SCATTERGOOD & JOHNSON LTD

ELECTRICAL ENGINEERING & FLUID CONTROL DISTRIBUTORS

Est.1899

At Scattergood & Johnson Ltd, we pride ourselves on being a technical distributor to specialist industries.

Working with a range of quality product suppliers across a number of specialist markets, we are not your average 'box shifter' - we are your technical and supply chain partner.

We fully support every product we sell - for free! Our internal team and external sales engineers can answer any product or application question, no matter the complexity.

Backing up this technical ability is a range of 50,000+ products available from stock for nationwide next day delivery (same day if required!), or you can collect what you need from any of our trade counters around the UK.

Select your specialist interest below to learn more about how we can help.



Online, In Branch and On the Road - Scattergood & Johnson Ltd, there when you need us.

# [www.scatts.co.uk](http://www.scatts.co.uk)