



Q2C 3-IN-1 CURRENT TRANSFORMERS

TE'S CROMPTON INSTRUMENTS

FEATURES

- Reversible mounting LHS and RHS
- Internal grounding/earthing facility
- Supplied with connector

A range of 3-in-1 current transformers for use with or without the Q2C wiring solution. The 3-in-1 current transformers combine three traditional current transformers in one moulded case with a pluggable locking connector for simple and easy installation.

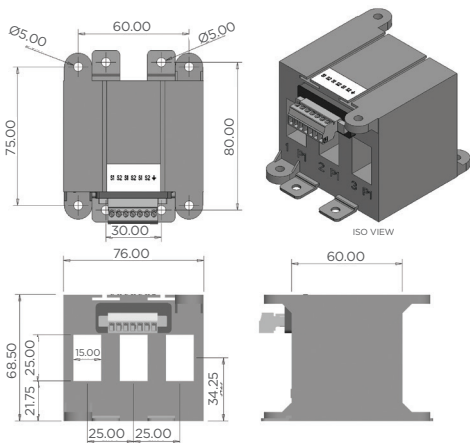
PRODUCT CODES						
Part number	Ratio	Burden VA against class index			Aperture (mm)	
		Class 0.5	Class 1	Class 3		
QC3N1-25-60/5	60/5	-	1	2	3 @ 15x25 mm	
QC3N1-25-100/5	100/5	-	1.5	2.5	3 @ 15x25 mm	
QC3N1-25-160/5	160/5	1.5	1.5	2.5	3 @ 15x25 mm	
QC3N1-35-100/5	100/5	-	1.5	2	3 @ 21x25 mm	
QC3N1-35-125/5	125/5	-	1.5	2.5	3 @ 21x25 mm	
QC3N1-35-160/5	160/5	1.5	1.5	2.5	3 @ 21x25 mm	
QC3N1-35-250/5	250/5	1.5	1.5	2.5	3 @ 21x25 mm	
QC3N1-45-250/5	250/5	-	2.5 VA	-	3 @ 32x27 mm	
QC3N1-45-400/5	400/5	-	2.5 VA	-	3 @ 32x27 mm	
QC3N1-45-600/5	600/5	2.5 VA	5 VA	-	3 @ 32x27 mm	
QC3N1-70-400/5	400/5	-	2.5 VA	-	3 @ 52x40 mm	
QC3N1-70-600/5	600/5	2.5 VA	5 VA	-	3 @ 52x40 mm	
QC3N1-70-800/5	800/5	2.5 VA	5 VA	-	3 @ 52x40 mm	

Customers can count on consistent, high quality products, driven by TE's proven innovation and backed by our extraordinary customer support.

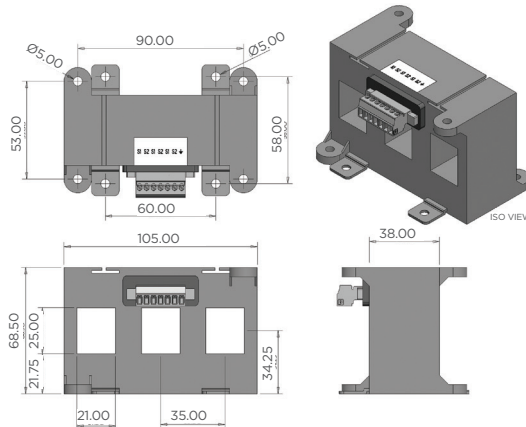
Q2C 3-in-1 current transformers



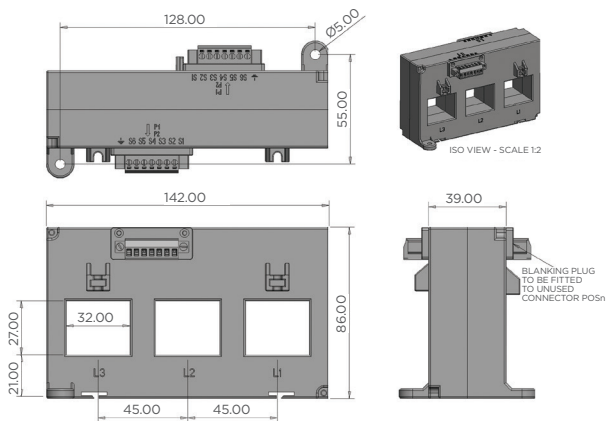
QC3N1-25



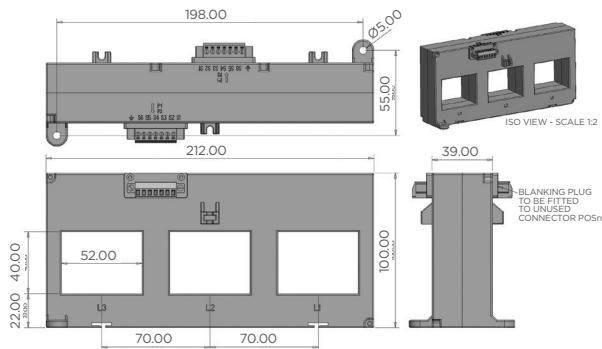
QC3N1-35



QC3N1-45



QC3N1-70



crompton-instruments.com

© 2018 TE Connectivity Ltd. family of companies. All Rights Reserved. EPP-3246-12/18

TE Connectivity, the TE connectivity (logo) and Crompton Instruments are trademarks of the TE Connectivity Ltd. family of companies. Other logos, product and Company names mentioned herein may be trademarks of their respective owners. While TE has made every reasonable effort to ensure the accuracy of the information in this brochure, TE does not guarantee that it is error-free, nor does TE make any other representation, warranty or guarantee that the information is accurate, correct, reliable or current. TE reserves the right to make any adjustments to the information contained herein at any time without notice. TE expressly disclaims all implied warranties regarding the information contained herein, including, but not limited to, any implied warranties of merchantability or fitness for a particular purpose. The dimensions in this brochure are for reference purposes only and are subject to change without notice. Specifications are subject to change without notice. Consult TE for the latest dimensions and design specifications.

**FOR MORE INFORMATION:
TE Technical Support Centres**

USA:	+1 800 327 6996
UK:	+44 1376 509 401
Australia:	+61 1300 656 090
Singapore:	+65 6590 5151
Hong Kong:	+852 2790 9609



SCATTERGOOD & JOHNSON LTD

ELECTRICAL ENGINEERING & FLUID CONTROL DISTRIBUTORS

Est.1899

At Scattergood & Johnson Ltd, we pride ourselves on being a technical distributor to specialist industries.

Working with a range of quality product suppliers across a number of specialist markets, we are not your average 'box shifter' - we are your technical and supply chain partner.

We fully support every product we sell - for free! Our internal team and external sales engineers can answer any product or application question, no matter the complexity.

Backing up this technical ability is a range of 50,000+ products available from stock for nationwide next day delivery (same day if required!), or you can collect what you need from any of our trade counters around the UK.

Select your specialist interest below to learn more about how we can help.



Online, In Branch and On the Road - Scattergood & Johnson Ltd, there when you need us.

www.scatts.co.uk