

## 3-IN-1 CURRENT TRANSFORMERS

### TE'S CROMPTON INSTRUMENTS

#### FEATURES

- Cost effective three-phase moulded case
- Ratio's ranging from 60/5 to 630/5
- Integrated wire sealable terminal cover
- Busbar, DIN-rail and metal feet mounting hardware supplied
- Combined M4 posi/slot screw

#### BENEFITS

- Isolated output for safety
- Faster installation
- Compact size
- Ex-stock delivery

#### APPLICATIONS

- Switchgear
- Distribution systems
- Generator sets
- Control panels

A range of 3-in-1 current transformers combine three traditional current transformers in one moulded case. 3-in-1 current transformers can be directly installed next to a three-phase moulded case circuit breaker, thus saving installation time where fitting three standard individual current transformers would be required. The M3N1 range of current transformers offers primary currents between 60-630 A with 5 A secondaries with up to Class 0.5 accuracy performance.

#### SPECIFICATIONS

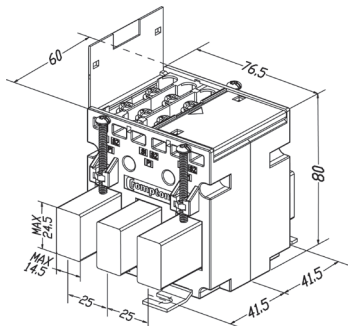
<b>System voltage:</b>	720 V maximum
<b>Test voltage:</b>	3 kV for 1 minute
<b>System frequency:</b>	50 Hz or 60 Hz
<b>Primary ratings:</b>	60 A to 630 A
<b>Short circuit thermal current:</b>	60 x rated primary current (Ith): for 1 sec
<b>Overload withstand:</b>	1.2 x rated current continuously
<b>Rated dynamic current:</b>	= 2.55 x Ith
<b>Secondary terminals:</b>	M4 screw terminals
<b>Enclosure:</b>	Flame retardant grade classified UL 94V-O
<b>Aperture holes centres:</b>	25, 35, 45 mm
<b>Operating temperature:</b>	-20°C to +85°C
<b>Accuracy:</b>	Class 0.5, 1, 3
<b>Mounting hardware:</b>	Plug-in metal feet for wall or base mounting Busbar and DIN-rail mounting
<b>Compliant with:</b>	IEC/EN60044-1

Customers can count on consistent, high quality products, driven by TE's proven innovation and backed by our extraordinary customer support.

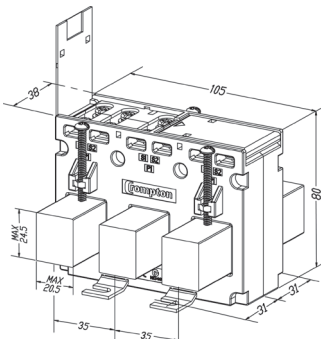
3-in-1 current transformers



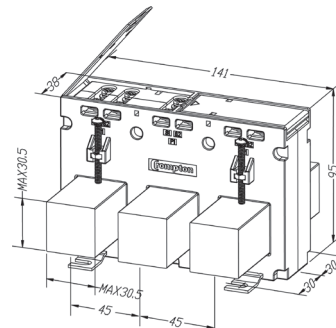
M3N1-25



M3N1-35



M3N1-45



PRODUCT CODES					
Part number	Ratio	Burden VA against class index			Aperture (mm)
		Class 0.5	Class 1	Class 3	
M3N1-25-60/5	60/5	-	1	2	3@14.5 x 24.5
M3N1-25-100/5	100/5	-	1.5	2.5	3@14.5 x 24.5
M3N1-25-125/5	125/5	-	1.5	2.5	3@14.5 x 24.5
M3N1-25-150/5	150/5	1.5	1.5	2.5	3@14.5 x 24.5
M3N1-25-160/5	160/5	1.5	1.5	2.5	3@14.5 x 24.5
M3N1-35-100/5	100/5	-	1.5	2	3@20.5 x 24.5
M3N1-35-125/5	125/5	-	1.5	2.5	3@20.5 x 24.5
M3N1-35-150/5	150/5	-	1.5	2.5	3@20.5 x 24.5
M3N1-35-160/5	160/5	1.5	1.5	2.5	3@20.5 x 24.5
M3N1-35-200/5	200/5	1.5	1.5	2.5	3@20.5 x 24.5
M3N1-35-250/5	250/5	1.5	1.5	2.5	3@20.5 x 24.5
M3N1-45-250/5	250/5	1.5	1.5	2.5	3@30.5 x 30.5
M3N1-45-300/5	300/5	2.5	2.5	3.75	3@30.5 x 30.5
M3N1-45-400/5	400/5	2.5	2.5	3.75	3@30.5 x 30.5
M3N1-45-500/5	500/5	2.5	2.5	3.75	3@30.5 x 30.5
M3N1-45-600/5	600/5	2.5	2.5	3.75	3@30.5 x 30.5
M3N1-45-630/5	630/5	2.5	2.5	3.75	3@30.5 x 30.5

[crompton-instruments.com](http://crompton-instruments.com)

© 2018 TE Connectivity Ltd. family of companies. All Rights Reserved. EPP-2409-12/18

TE Connectivity, the TE connectivity (logo) and Crompton Instruments are trademarks of the TE Connectivity Ltd. family of companies. Other logos, product and Company names mentioned herein may be trademarks of their respective owners. While TE has made every reasonable effort to ensure the accuracy of the information in this brochure, TE does not guarantee that it is error-free, nor does TE make any other representation, warranty or guarantee that the information is accurate, correct, reliable or current. TE reserves the right to make any adjustments to the information contained herein at any time without notice. TE expressly disclaims all implied warranties regarding the information contained herein, including, but not limited to, any implied warranties of merchantability or fitness for a particular purpose. The dimensions in this brochure are for reference purposes only and are subject to change without notice. Specifications are subject to change without notice. Consult TE for the latest dimensions and design specifications.

**FOR MORE INFORMATION:  
TE Technical Support Centres**

- USA: +1 800 327 6996
- UK: +44 1376 509 401
- Australia: +61 1300 656 090
- Singapore: +65 6590 5151
- Hong Kong: +852 2790 9609





# SCATTERGOOD & JOHNSON LTD

ELECTRICAL ENGINEERING & FLUID CONTROL DISTRIBUTORS

Est.1899

At Scattergood & Johnson Ltd, we pride ourselves on being a technical distributor to specialist industries.

Working with a range of quality product suppliers across a number of specialist markets, we are not your average 'box shifter' - we are your technical and supply chain partner.

We fully support every product we sell - for free! Our internal team and external sales engineers can answer any product or application question, no matter the complexity.

Backing up this technical ability is a range of 50,000+ products available from stock for nationwide next day delivery (same day if required!), or you can collect what you need from any of our trade counters around the UK.

Select your specialist interest below to learn more about how we can help.



Online, In Branch and On the Road - Scattergood & Johnson Ltd, there when you need us.

# [www.scatts.co.uk](http://www.scatts.co.uk)