

THIS DRAWING IS UNPUBLISHED.

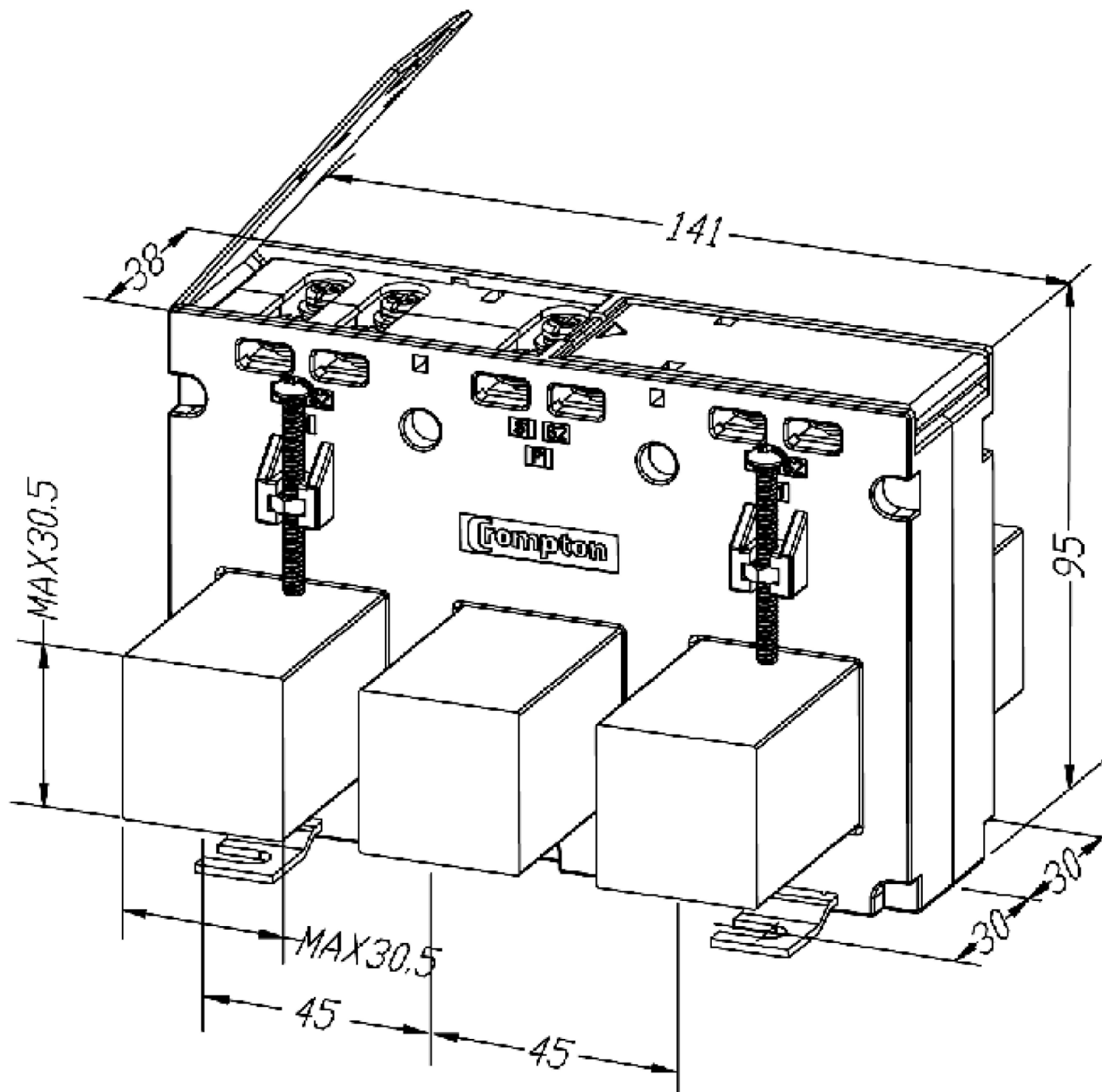
RELEASED FOR PUBLICATION


REVISIONS

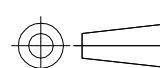
© COPYRIGHT - TE Connectivity Ltd.

ALL RIGHTS RESERVED.

P	LTR	DESCRIPTION	DATE	DWN	APVD
1		NEW LAYOUT	18FEB2020	SG	NJ



THIS DRAWING IS A CONTROLLED DOCUMENT.		DWN	18FEB2020	 TE Connectivity	
		CHK	18FEB2020		
		APVD	18FEB2020		
		NAME NIGEL JOHNSON NIGEL JOHNSON		M3N1-45 3 IN 1 CURRENT TRANSFORMER	
		PRODUCT SPEC APPLICATION SPEC			
		SIZE	CAGE CODE	DRAWING NO	RESTRICTED TO
		A3	00779	CI-3L45901	-
		CUSTOMER DRAWING		SCALE	SHEET
				NTS	1 OF 1
				REV	1

DIMENSIONS:		TOLERANCES UNLESS OTHERWISE SPECIFIED:	
mm			
		0 PLC	± -
		1 PLC	± -
		2 PLC	± -
		3 PLC	± -
		4 PLC	± -
MATERIAL		FINISH	
-		-	



SCATTERGOOD & JOHNSON LTD

ELECTRICAL ENGINEERING & FLUID CONTROL DISTRIBUTORS

Est.1899

At Scattergood & Johnson Ltd, we pride ourselves on being a technical distributor to specialist industries.

Working with a range of quality product suppliers across a number of specialist markets, we are not your average 'box shifter' - we are your technical and supply chain partner.

We fully support every product we sell - for free! Our internal team and external sales engineers can answer any product or application question, no matter the complexity.

Backing up this technical ability is a range of 50,000+ products available from stock for nationwide next day delivery (same day if required!), or you can collect what you need from any of our trade counters around the UK.

Select your specialist interest below to learn more about how we can help.



Online, In Branch and On the Road - Scattergood & Johnson Ltd, there when you need us.

www.scatts.co.uk