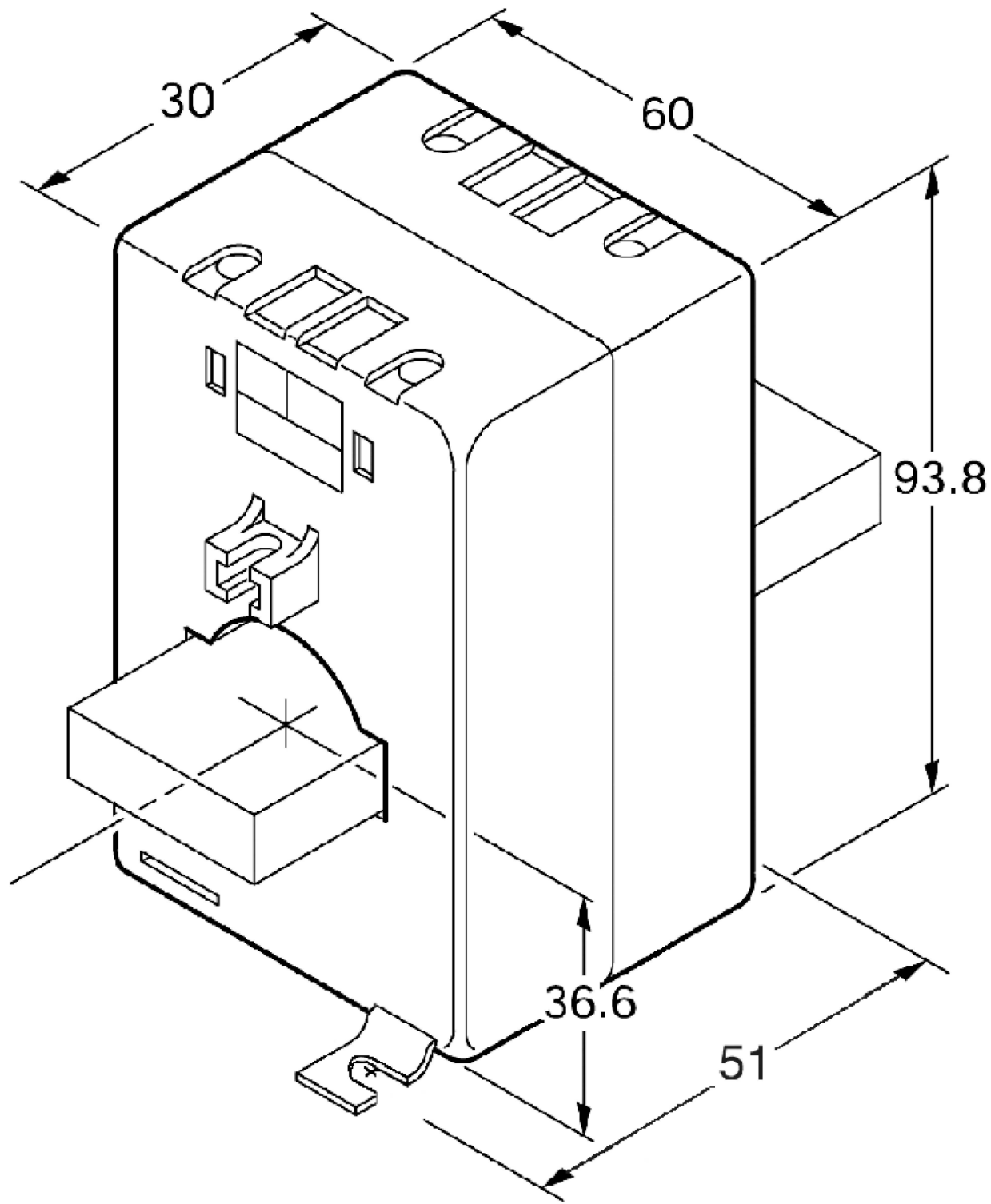


THIS DRAWING IS UNPUBLISHED. RELEASED FOR PUBLICATION
 © COPYRIGHT - TE Connectivity Ltd. ALL RIGHTS RESERVED.

REVISIONS				
P	LTR	DESCRIPTION	DATE	APVD
1		NEW LAYOUT	17FEB2020	SG NJ



THIS DRAWING IS A CONTROLLED DOCUMENT.		DWN SANDEEP G 17FEB2020	TE Connectivity	
DIMENSIONS: mm		CHK NIGEL JOHNSON 17FEB2020		
		APVD NIGEL JOHNSON 17FEB2020	NAME M63N EBONY CT	
TOLERANCES UNLESS OTHERWISE SPECIFIED:		PRODUCT SPEC	-	
0 PLC ± -		APPLICATION SPEC	-	
1 PLC ± -		WEIGHT	-	
2 PLC ± -		SIZE A3	CAGE CODE 00779	DRAWING NO C=CI-3L44701
3 PLC ± -		CUSTOMER DRAWING		
4 PLC ± -		SCALE NTS	SHEET 1 of 1	REV 1
ANGLES ± -				
FINISH				
MATERIAL				



SCATTERGOOD & JOHNSON LTD

ELECTRICAL ENGINEERING & FLUID CONTROL DISTRIBUTORS

Est.1899

At Scattergood & Johnson Ltd, we pride ourselves on being a technical distributor to specialist industries.

Working with a range of quality product suppliers across a number of specialist markets, we are not your average 'box shifter' - we are your technical and supply chain partner.

We fully support every product we sell - for free! Our internal team and external sales engineers can answer any product or application question, no matter the complexity.

Backing up this technical ability is a range of 50,000+ products available from stock for nationwide next day delivery (same day if required!), or you can collect what you need from any of our trade counters around the UK.

Select your specialist interest below to learn more about how we can help.



Online, In Branch and On the Road - Scattergood & Johnson Ltd, there when you need us.

www.scatts.co.uk