

THIS DRAWING IS UNPUBLISHED.

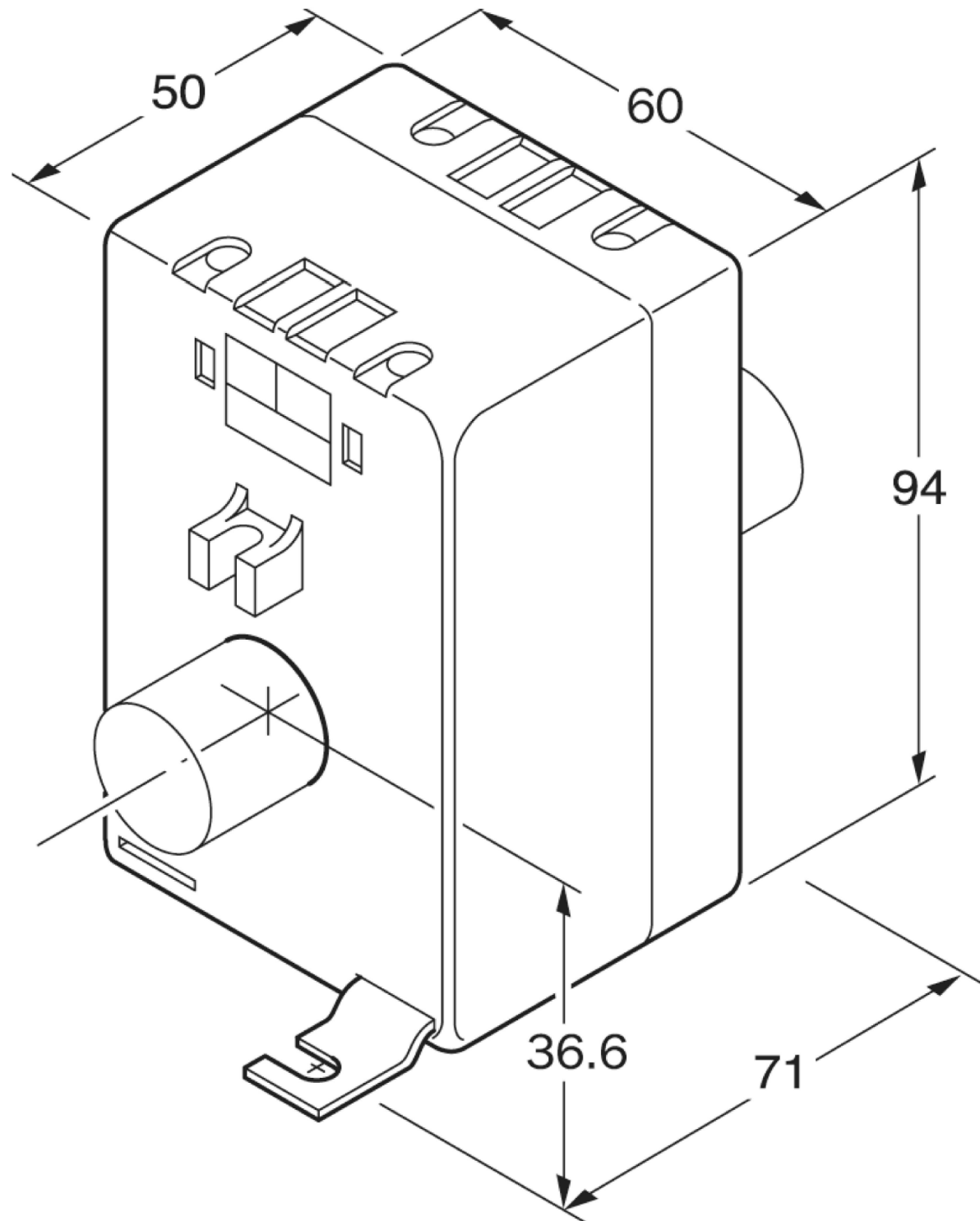
RELEASED FOR PUBLICATION

© COPYRIGHT - TE Connectivity Ltd.

ALL RIGHTS RESERVED.

REVISIONS

P	LTR	DESCRIPTION	DATE	DWN	APVD
	1	NEW LAYOUT	17FEB2020	SG	NJ



THIS DRAWING IS A CONTROLLED DOCUMENT.		DWN	SANDEEP G		17FEB2020
DIMENSIONS:		CHK	NIGEL JOHNSON		17FEB2020
mm	TOLERANCES UNLESS OTHERWISE SPECIFIED:	APVD	NIGEL JOHNSON		17FEB2020
	0 PLC ± -	PRODUCT SPEC		NAME	
	1 PLC ± -	APPLICATION SPEC		M65F - EBONY CURRENT TRANSFORMERS	
	2 PLC ± -	WEIGHT		-	
	3 PLC ± -	CUSTOMER DRAWING		-	
	4 PLC ± -	SCALE		NTS	
	ANGLES ± -	SHEET		1 of 1	
MATERIAL	FINISH	SIZE		RESTRICTED TO	
-	-	A3		-	
		CAGE CODE		-	
		DRAWING NO		-	
		G=CI-3L45501		-	
		REV		1	





SCATTERGOOD & JOHNSON LTD

ELECTRICAL ENGINEERING & FLUID CONTROL DISTRIBUTORS

Est.1899

At Scattergood & Johnson Ltd, we pride ourselves on being a technical distributor to specialist industries.

Working with a range of quality product suppliers across a number of specialist markets, we are not your average 'box shifter' - we are your technical and supply chain partner.

We fully support every product we sell - for free! Our internal team and external sales engineers can answer any product or application question, no matter the complexity.

Backing up this technical ability is a range of 50,000+ products available from stock for nationwide next day delivery (same day if required!), or you can collect what you need from any of our trade counters around the UK.

Select your specialist interest below to learn more about how we can help.



Online, In Branch and On the Road - Scattergood & Johnson Ltd, there when you need us.

www.scatts.co.uk