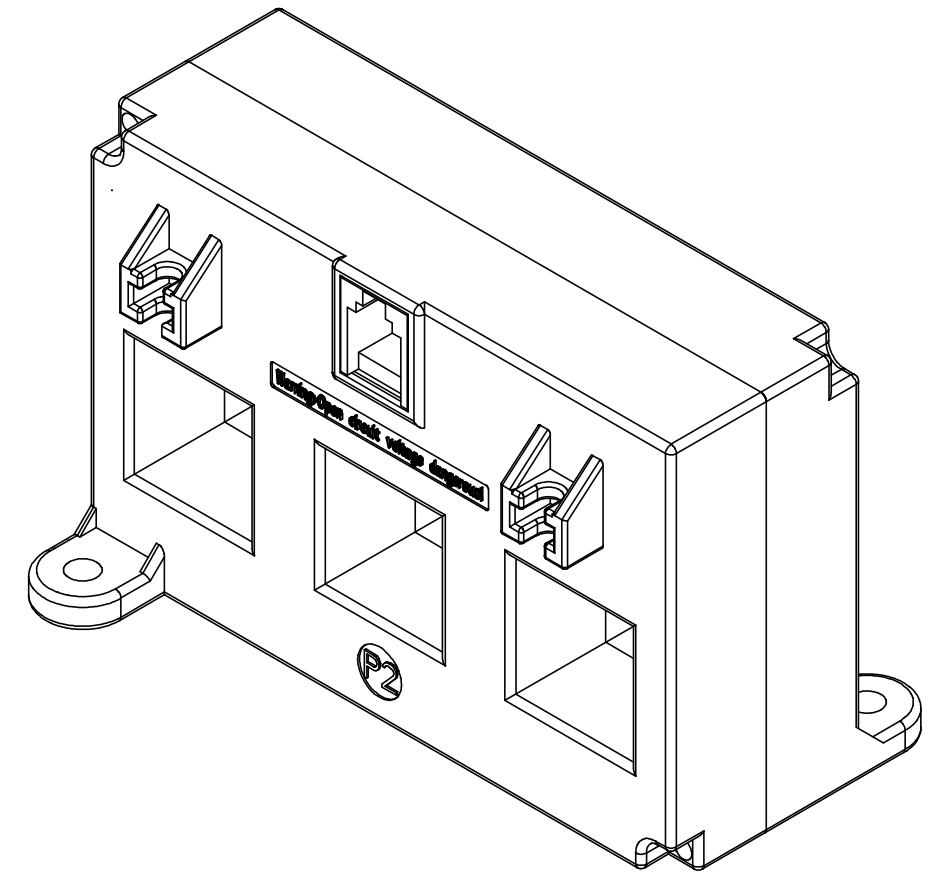
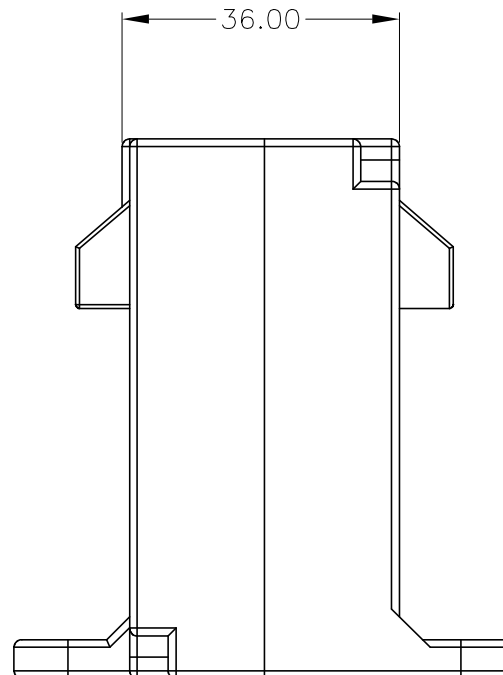
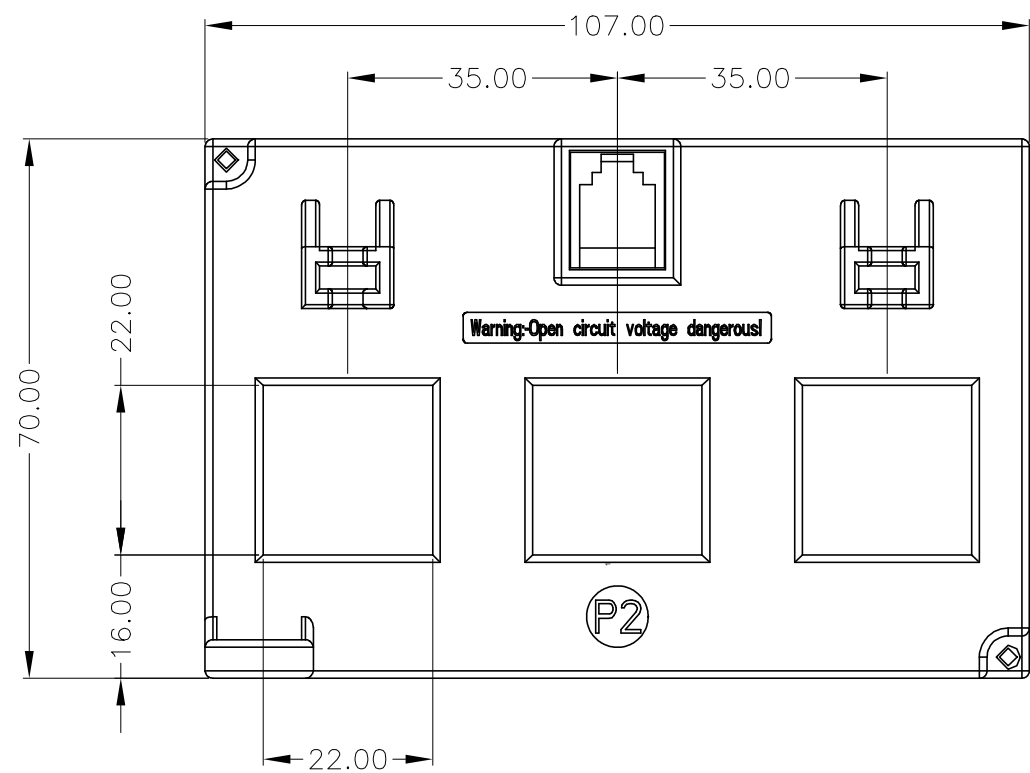
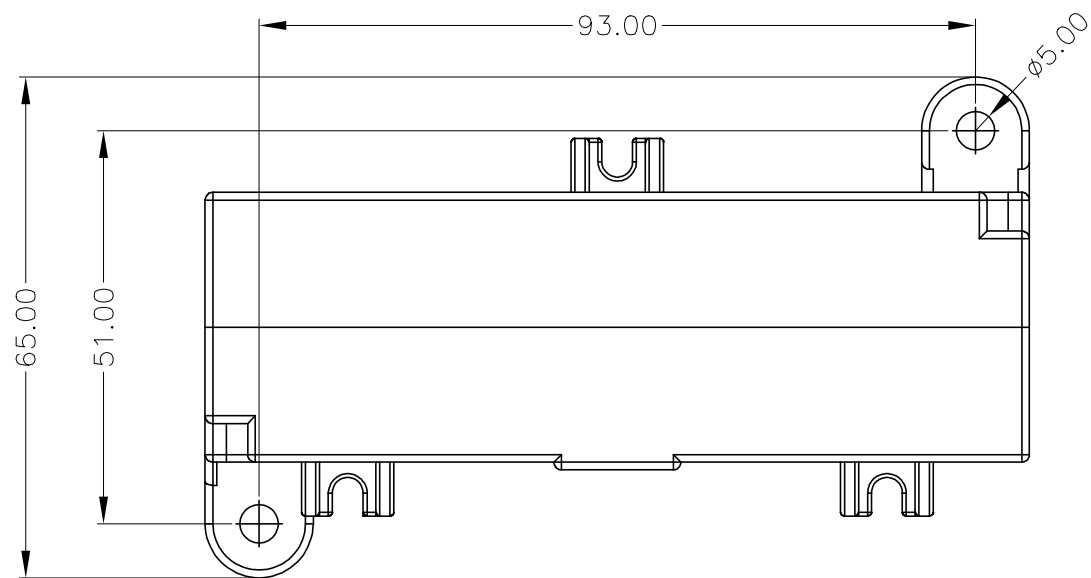


THIS DRAWING IS UNPUBLISHED. RELEASED FOR PUBLICATION
 © COPYRIGHT - TE Connectivity Ltd. ALL RIGHTS RESERVED.

REVISIONS					
P	LTR	DESCRIPTION	DATE	DWN	APVD
1		NEW LAYOUT	17FEB2020	SG	NJ



THIS DRAWING IS A CONTROLLED DOCUMENT.		DWN	SANDEEP G	17FEB2020	TE Connectivity				
DIMENSIONS: mm		CHK	NIGEL JOHNSON	17FEB2020					
TOLERANCES UNLESS OTHERWISE SPECIFIED: 0 PLC ± - 1 PLC ± 0.5 2 PLC ± 0.1 3 PLC ± - 4 PLC ± - ANGLES ± -		APVD	NIGEL JOHNSON	17FEB2020	NAME				
MATERIAL		FINISH		APPLICATION SPEC		OUTLINE DRAWING			
-		-		-		3 IN 1 CT			
						DL3N1-35-RJ12			
						SIZE	CAGE CODE	DRAWING NO	RESTRICTED TO
						A3	00779	CI-3L01103	-
				CUSTOMER DRAWING		SCALE	SHEET	REV	
						NTS	1 of 1	1	



SCATTERGOOD & JOHNSON LTD

ELECTRICAL ENGINEERING & FLUID CONTROL DISTRIBUTORS

Est.1899

At Scattergood & Johnson Ltd, we pride ourselves on being a technical distributor to specialist industries.

Working with a range of quality product suppliers across a number of specialist markets, we are not your average 'box shifter' - we are your technical and supply chain partner.

We fully support every product we sell - for free! Our internal team and external sales engineers can answer any product or application question, no matter the complexity.

Backing up this technical ability is a range of 50,000+ products available from stock for nationwide next day delivery (same day if required!), or you can collect what you need from any of our trade counters around the UK.

Select your specialist interest below to learn more about how we can help.



Online, In Branch and On the Road - Scattergood & Johnson Ltd, there when you need us.

www.scatts.co.uk