

THIS DRAWING IS UNPUBLISHED.

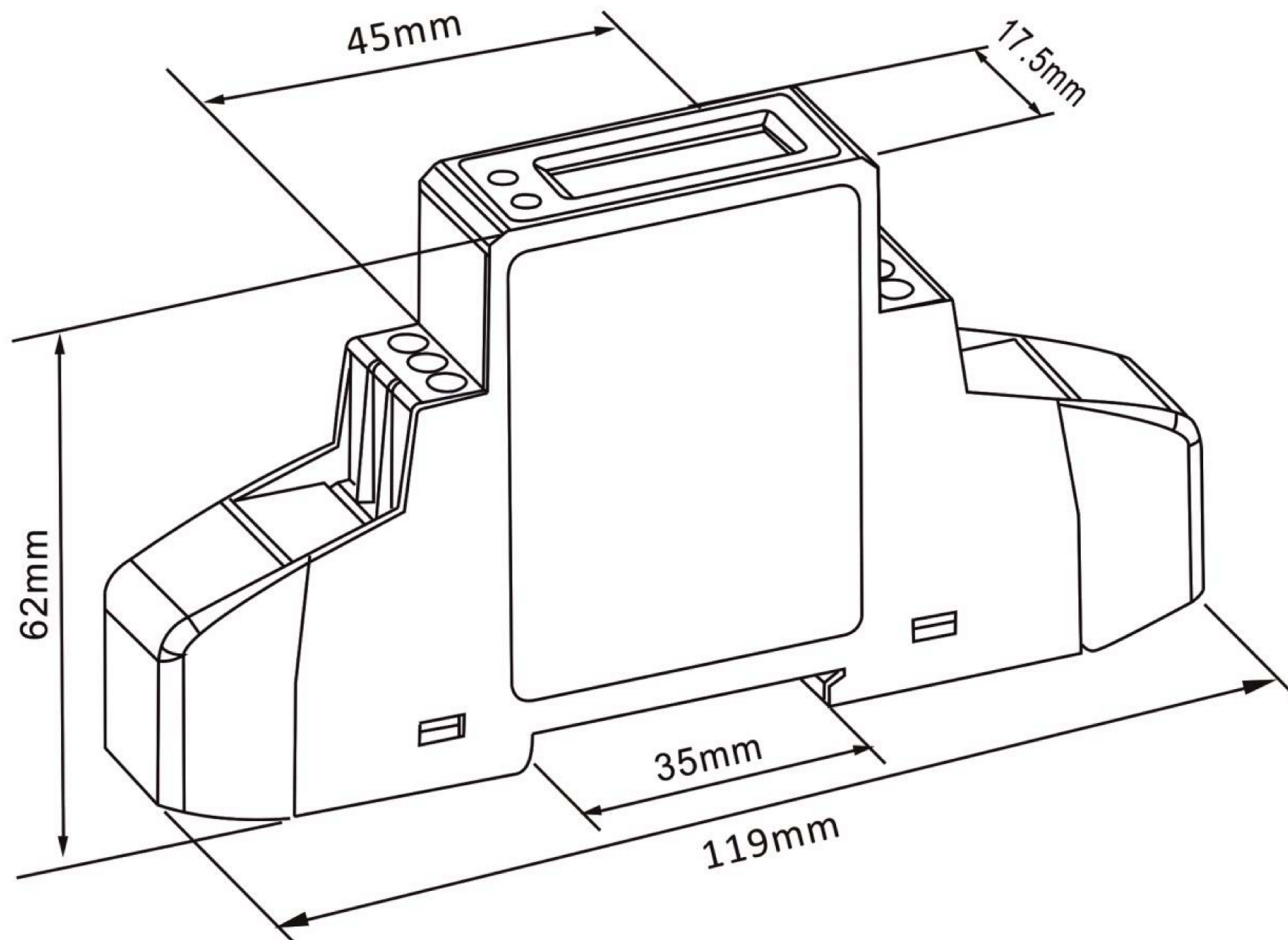
RELEASED FOR PUBLICATION


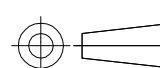
REVISIONS

© COPYRIGHT - TE Connectivity Ltd.

ALL RIGHTS RESERVED.

P	LTR	DESCRIPTION	DATE	DWN	APVD
1		NEW LAYOUT	10FEB2020	SG	NJ



THIS DRAWING IS A CONTROLLED DOCUMENT.		DWN	SANDEEP G	10FEB2020	 TE Connectivity
DIMENSIONS: mm		CHK	NIGEL JOHNSON	10FEB2020	
		APVD	NIGEL JOHNSON	10FEB2020	
TOLERANCES UNLESS OTHERWISE SPECIFIED:		NAME		DRS-45-1P	
0 PLC ± -		PRODUCT SPEC		-	
1 PLC ± -		APPLICATION SPEC		-	
2 PLC ± -		SIZE		A3	
3 PLC ± -		CAGE CODE		00779	
4 PLC ± -		DRAWING NO		CI-3L42501	
ANGLES ± -		RESTRICTED TO		-	
MATERIAL		WEIGHT		-	
FINISH		CUSTOMER DRAWING		SCALE NTS	
		SHEET 1 of 1		REV 1	



# SCATTERGOOD & JOHNSON LTD

ELECTRICAL ENGINEERING & FLUID CONTROL DISTRIBUTORS

Est.1899

At Scattergood & Johnson Ltd, we pride ourselves on being a technical distributor to specialist industries.

Working with a range of quality product suppliers across a number of specialist markets, we are not your average 'box shifter' - we are your technical and supply chain partner.

We fully support every product we sell - for free! Our internal team and external sales engineers can answer any product or application question, no matter the complexity.

Backing up this technical ability is a range of 50,000+ products available from stock for nationwide next day delivery (same day if required!), or you can collect what you need from any of our trade counters around the UK.

Select your specialist interest below to learn more about how we can help.



Online, In Branch and On the Road - Scattergood & Johnson Ltd, there when you need us.

# [www.scatts.co.uk](http://www.scatts.co.uk)