

THIS DRAWING IS UNPUBLISHED.

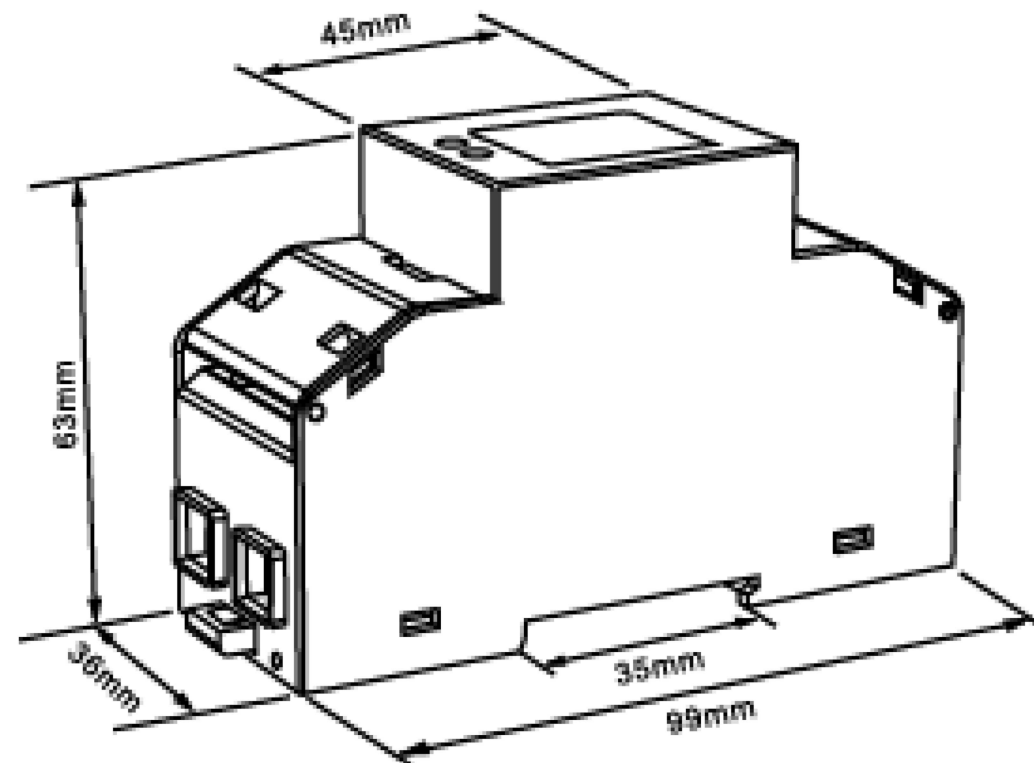
RELEASED FOR PUBLICATION


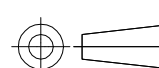
© COPYRIGHT - TE Connectivity Ltd.

ALL RIGHTS RESERVED.

REVISIONS

P	LTR	DESCRIPTION	DATE	DWN	APVD
	1	NEW LAYOUT	10FEB2020	SG	NJ



THIS DRAWING IS A CONTROLLED DOCUMENT.		DWN	SANDEEP G		10FEB2020	 TE Connectivity
DIMENSIONS: mm		CHK	NIGEL JOHNSON		10FEB2020	
		APVD	NIGEL JOHNSON		10FEB2020	
TOLERANCES UNLESS OTHERWISE SPECIFIED:		PRODUCT SPEC		NAME		
0 PLC ± -		APPLICATION SPEC		SIZE		A3
1 PLC ± -		WEIGHT		CAGE CODE		00779
2 PLC ± -		CUSTOMER DRAWING		DRAWING NO		CI-3L42601
3 PLC ± -		SCALE		SHEET		1 of 1
4 PLC ± -		NTS		REV		1
ANGLES ± -		SHEET		REV		1
FINISH		RESTRICTED TO		REV		1
-		-		-		1



SCATTERGOOD & JOHNSON LTD

ELECTRICAL ENGINEERING & FLUID CONTROL DISTRIBUTORS

Est.1899

At Scattergood & Johnson Ltd, we pride ourselves on being a technical distributor to specialist industries.

Working with a range of quality product suppliers across a number of specialist markets, we are not your average 'box shifter' - we are your technical and supply chain partner.

We fully support every product we sell - for free! Our internal team and external sales engineers can answer any product or application question, no matter the complexity.

Backing up this technical ability is a range of 50,000+ products available from stock for nationwide next day delivery (same day if required!), or you can collect what you need from any of our trade counters around the UK.

Select your specialist interest below to learn more about how we can help.



Online, In Branch and On the Road - Scattergood & Johnson Ltd, there when you need us.

www.scatts.co.uk