



## SPARTAN SPZ-HPFL LED Zone 2 High Power Flood

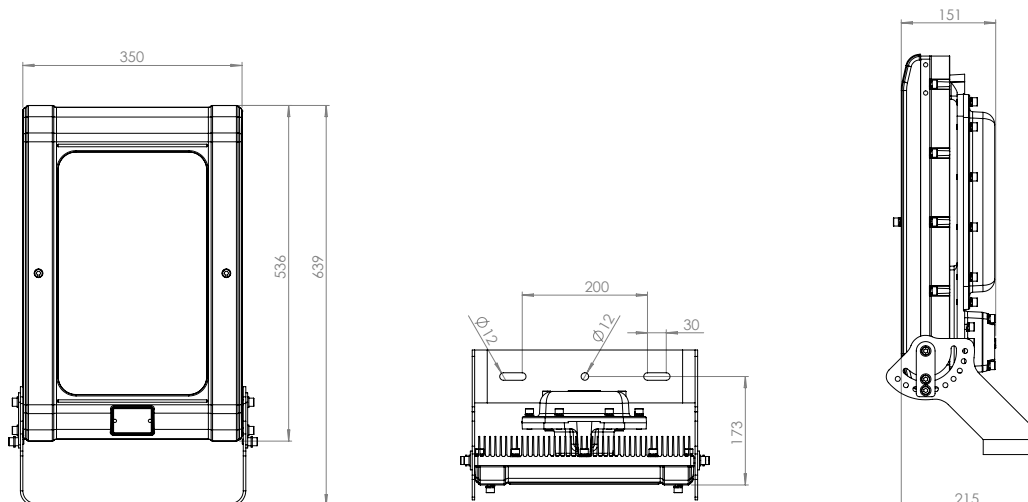


- ATEX and IEC Ex - Zone 2  
UL/CSA approved including C1D2 & ABS
- Ultra long life LED
- High lumen output LED
- Easy installation, maintenance and inspection
- Extreme durability and toughness
- Wide operating temperature range of -50° to +50°C
- DALI/Dimming as standard
- 5 year warranty
- Zone 1 variants available
- Remote power supply variants available (contact Raytec)
- Now 'op is' approved (EN60079-28)

The SPARTAN High Power Flood is designed for hazardous environments which require high performance, high reliability, White-Light illumination. Specifically, the High Power Flood has been designed to light up large, open areas such as an Offshore Oil Rig. The dedicated bracket allows the beam angle to be tilted and easily targeted into the required space. Using Raytec's field-proven, long-life LED technology SPARTAN luminaires are ATEX and IEC Ex approved for all Zone 2 applications. SPARTAN High Power Flood has been designed with maintenance in mind. A unique modular design allows key components to be easily accessed and serviced if required, making inspection and maintenance quicker and easier. It also allows for the most flexible installation.

SPARTAN High Power Flood is available in a range of different beam patterns, delivering the ultimate flexibility to specifiers, distributors and end users. SPARTAN uses **COOLEXTRUDE™** thermal management technology, ensuring a much cooler LED operating temperature and up to 60% better heat dissipation compared to traditional lighting solutions, allowing the product to operate for > 10 years while still delivering a high lumen output of up to 25,000 lumens.

# Product Dimensions



## Features

## Benefits

Ultra-Powerful	High lumen output - up to 25,000 lumens Latest high power LED technology
Ultra-Flexible	Range of beam patterns available Operating temperature range of -50°C to +50°C with a T4 rating for even the most challenging conditions
Ultra-Reliable	Industry leading 5 year warranty Designed and manufactured in the UK to the highest standards including both ISO9001 & ISO14001 Extreme durability and toughness
Ultra-Modular	Both the LED and PSU modules are easily accessible for maintenance and inspection
Ultra-Efficient	<b>COOLEXTRUDE™</b> thermal management delivers class leading energy efficiency Significant running and maintenance savings compared to traditional lighting technologies SMART access wiring system for safe and efficient installation, set-up and ongoing inspection
Ultra-Support	Photometric files available (.ies & .ldt) Full Lighting Design Service Site specific Energy and Cost Saving Report available

## 5 YEAR WARRANTY

All Raytec luminaires are provided with an industry leading 5 year warranty and have an expected useful life in excess of 10 years



# Technical Specifications

## Certification

ATEX Rating:	ATEX and IEC Ex rated for Gas and Dust
Hazardous Area rating:	Zone 2 – Gas and Dust
Certificates:	CML 17ATEX 4149 AND IEC Ex CML 17.0074 UL/CSA including C1D2
Gas:	II3 G D Ex ec nR op is IIC T4 Gc Ta= -50°C to +50°C
Dust:	Ex tc op is IIIC T104°C Dc Ta+-50°C to +50°C IP66
North America Rating:	Class I, Div. 2 Gr ABCD T4 Class II, Div. 1 Div. 2 Gr EFG Tamb= -40°C to +50°C Enclosure Type 4X
ABS Rating:	ABS Certificate #15-LD1364539-1-PD

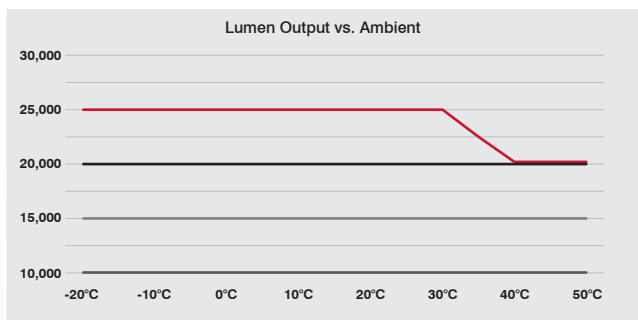
## Electrical

Input:	150-264V 50/60Hz AC/DC 110V variant available - please contact Raytec C1D2 variants 120-277V AC/DC
Power:	120W – 10,000lm 180W – 15,000lm 240W – 20,000lm 300W – 25,000lm
Termination	Incoming terminal block suitable for looping 3 core 4mm <sup>2</sup> cable
Power Factor:	>0.95
Cable Entries	2xM20 as standard (other entries available upon request), dispatched complete with one ATEX/IEC Ex approved blanking plug 3/4" NPT as standard on C1D2

## Optical

Beam Patterns-circular:	30°x 30° or 60°x 60° or 90°x 90°
Lumen output on mains:	Up to 25,000 lumens
LED type:	Platinum Elite SMT LEDs
Number of LEDs:	12 or 24
CRI	80+
Colour Temperature:	5,000K
Automatic Thermal Cutback Feature	Refer to the graph below

## Automatic Thermal Cutback Feature



## Mechanical/Environmental

Burning position:	Universal
IP rating:	IP66 & IP67
Temperature range:	-50°C to +50°C (ATEX) -40°C to +50°C (C1D2)
Weight:	23.5kg (51.8lbs)
Enclosure:	Marine grade aluminium epoxy powder coated, toughened glass, all external fasteners and brackets are marine grade stainless steel
Unit Colour:	Front - Dark Grey (RAL 7012) Back - Silver (RAL 9006)
Installation instructions:	Please contact Raytec for copy
Dimensions:	639 x 350 x 215mm (25.2 x 13.8 x 8.5")
Mounting:	Stirrup bracket (see dimension drawings on Page 2)

## Product Codes - Zone 2

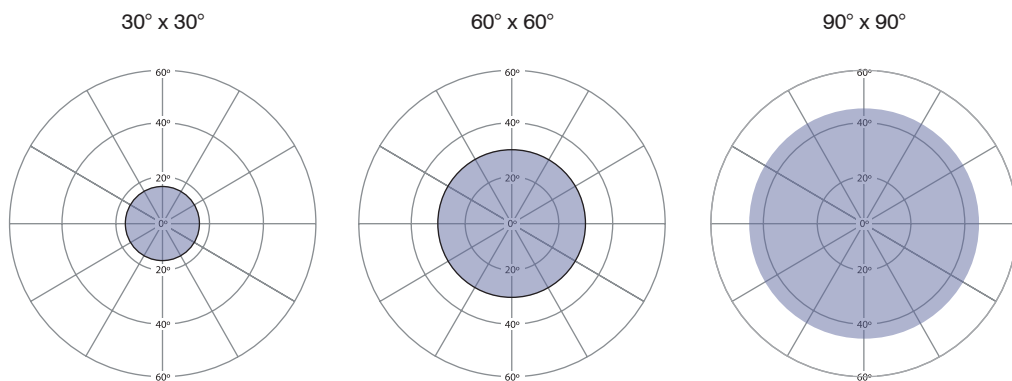
Part Codes (Select beam pattern below to replace 'XXXX')	Description
SPZ-HPFL25K-W-XXXX	SPARTAN High Power Flood, Zone 2, White-Light, 25,000lm
SPZ-HPFL20K-W-XXXX	SPARTAN High Power Flood, Zone 2, White-Light, 20,000lm
SPZ-HPFL15K-W-XXXX	SPARTAN High Power Flood, Zone 2, White-Light, 15,000lm
SPZ-HPFL10K-W-XXXX	SPARTAN High Power Flood, Zone 2, White-Light, 10,000lm

Add -C1D2 to part code for North American standards

## Beam pattern

3030	Circular beam pattern, 30° x 30° beam
6060	Circular beam pattern, 60° x 60° beam
9090	Circular beam pattern, 90° x 90° beam

## Beam patterns - Circular

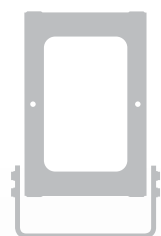


## Products in the SPARTAN High Power Flood range

Zone 1, Zone 2, UL/CSA, Industrial



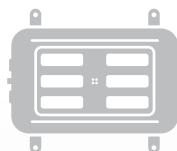
## Products in the SPARTAN Family



SPARTAN Flood



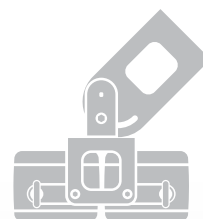
SPARTAN Linear



SPARTAN Bulkhead



SPARTAN Bay



SPARTAN Crane



# SCATTERGOOD & JOHNSON LTD

ELECTRICAL ENGINEERING & FLUID CONTROL DISTRIBUTORS

Est.1899

At Scattergood & Johnson Ltd, we pride ourselves on being a technical distributor to specialist industries.

Working with a range of quality product suppliers across a number of specialist markets, we are not your average 'box shifter' - we are your technical and supply chain partner.

We fully support every product we sell - for free! Our internal team and external sales engineers can answer any product or application question, no matter the complexity.

Backing up this technical ability is a range of 50,000+ products available from stock for nationwide next day delivery (same day if required!), or you can collect what you need from any of our trade counters around the UK.

Select your specialist interest below to learn more about how we can help.



Online, In Branch and On the Road - Scattergood & Johnson Ltd, there when you need us.

# [www.scatts.co.uk](http://www.scatts.co.uk)