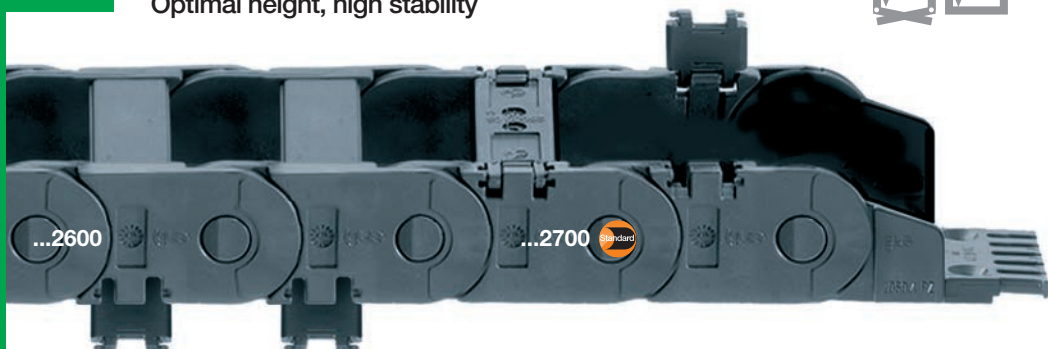




Optimal height, high stability



e-chains® | Series 2600 snap-open along inner radius

e-chains® | Series 2700 snap-open along outer radius

| e-chains®<br>snap-open along<br>inner radius | e-chains®<br>snap-open along<br>outer radius | <i>Bi</i><br>[mm] | <i>Ba</i><br>[mm] | <i>R</i> Bending radii<br>[mm]                | 2600<br>[kg/m] | 2700<br>[kg/m] |
|--|--|-------------------|-------------------|---|----------------|----------------|
| 2600.05 .R.0                                 | 2700.05 .R.0                                 | 50                | 66                | 063   075   100   125   150   175   200   250 | ≈ 1,17         | ≈ 1,17         |
| 2600.06 .R.0                                 | 2700.06 .R.0                                 | 65                | 81                | 063   075   100   125   150   175   200   250 | ≈ 1,24         | ≈ 1,24         |
| 2600.07 .R.0                                 | 2700.07 .R.0                                 | 75                | 91                | 063   075   100   125   150   175   200   250 | ≈ 1,30         | ≈ 1,30         |
| 2600.09 .R.0                                 | 2700.09 .R.0                                 | 90                | 106               | 063   075   100   125   150   175   200   250 | ≈ 1,37         | ≈ 1,37         |
| 2600.10 .R.0                                 | 2700.10 .R.0                                 | 100               | 116               | 063   075   100   125   150   175   200   250 | ≈ 1,39         | ≈ 1,39         |
| 2600.12 .R.0                                 | 2700.12 .R.0                                 | 125               | 141               | 063   075   100   125   150   175   200   250 | ≈ 1,48         | ≈ 1,48         |
| 2600.15 .R.0                                 | 2700.15 .R.0                                 | 150               | 166               | 063   075   100   125   150   175   200   250 | ≈ 1,62         | ≈ 1,62         |
| 2600.17 .R.0                                 | 2700.17 .R.0                                 | 175               | 194               | 063   075   100   125   150   175   200   250 | ≈ 1,85         | ≈ 1,85         |

Half e-tubes, Series 2650 and full e-tubes Series 2680 ► from page 304

Supplement Part No. with required radius (*R*). Example: 2700.05.100.0



ESD/ATEX permanently conductive e-chains® - 2700 several widths with delivery from stock: Inner widths *Bi* 50 - 125, radii *R* 063 - 150. Full ESD delivery program ► [www.igus.eu/ESD](http://www.igus.eu/ESD)

### Open e-chains® in a flash with the igus® e-chain® opener

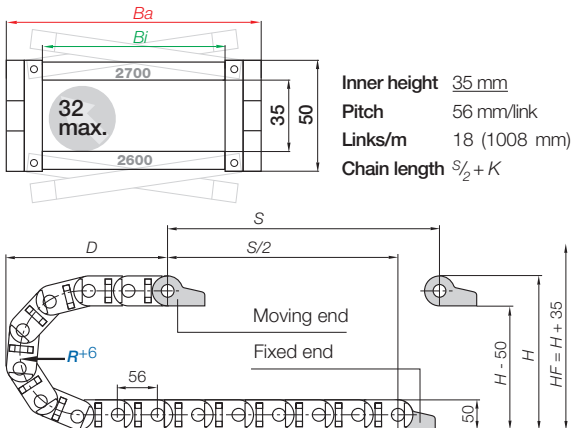
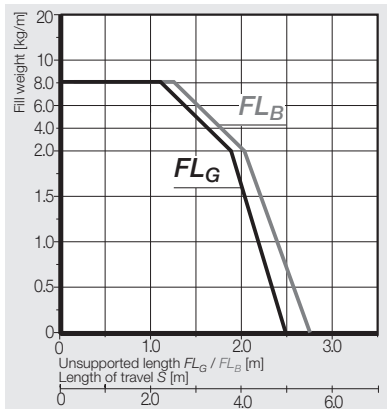
Reduce assembly time from 33 to 2 sec. with the igus® e-chain® Opener. Open a long piece of e-chain® in one go. Part No. 908.254.2600 for Series 2600/2700. For widths *Bi* [mm]: 06, 07, 09, 10

More information and video ► [www.igus.eu/savetime](http://www.igus.eu/savetime)





Unsupported applications | Short travels



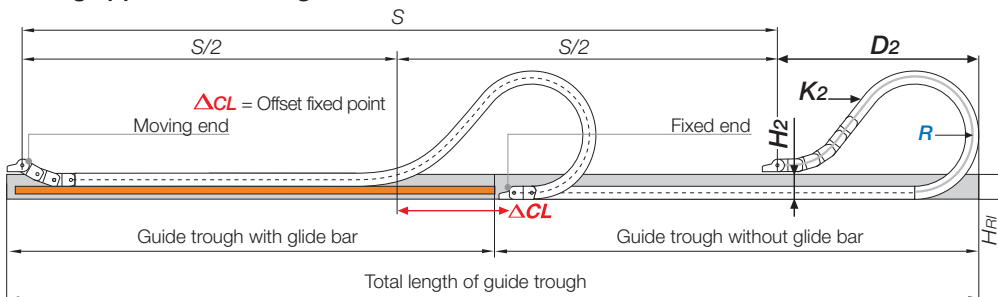
- Inner height 35 mm
- Pitch 56 mm/link
- Links/m 18 (1008 mm)
- Chain length  $S/2 + K$

| R | 063 | 075 | 100 | 125 | 150 | 175 | 200 | 250 |
|---|-----|-----|-----|-----|-----|-----|-----|-----|
| H | 176 | 200 | 250 | 300 | 350 | 400 | 450 | 550 |
| D | 172 | 184 | 209 | 234 | 259 | 284 | 309 | 359 |
| K | 310 | 350 | 430 | 505 | 585 | 665 | 745 | 900 |

The required clearance height:  $H_F = H + 35$  mm (with 2,0 kg/m fill weight)

Before using Series 2600 on long travels please consult igus®.

Gliding applications | Long travels from 10 m to max. 120 m



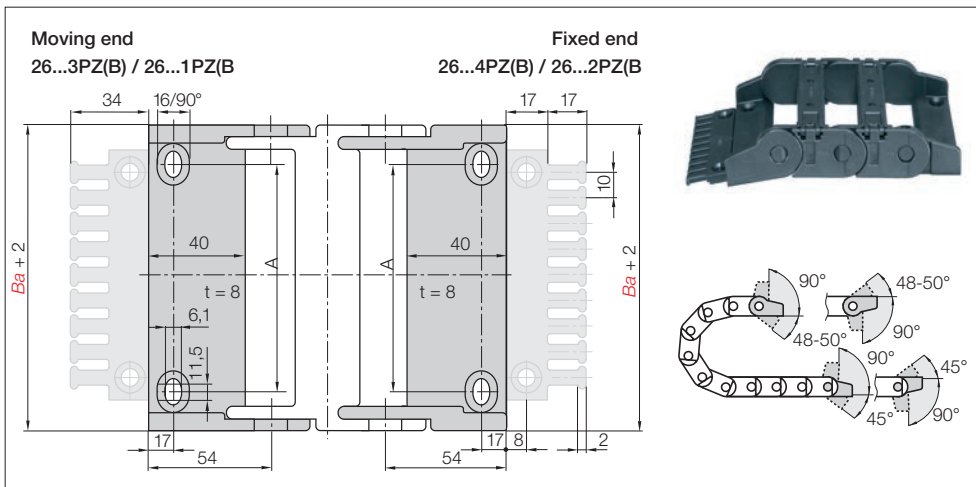
**Note:** For using Series 2600 for long travels (gliding), please consult igus® first.

For long travels, igus® specifies **Series 2700** that snaps open along the outer radius.

In case of travels between 5 and 10 m we recommend a longer unsupported length. **Chain length**  $S/2 + K_2$

| R                 | 063 | 075 | 100 | 125 | 150 | 175  | 200  | 250  |
|-------------------|-----|-----|-----|-----|-----|------|------|------|
| H <sub>2</sub>    | 130 | 150 | 166 | 166 | 166 | 166  | 166  | 166  |
| D <sub>2+25</sub> | 140 | 150 | 350 | 475 | 500 | 655  | 770  | 950  |
| K <sub>2</sub>    | 335 | 375 | 616 | 784 | 896 | 1120 | 1288 | 1624 |
| ΔACL              | -   | -   | 144 | 244 | 244 | 374  | 464  | 594  |

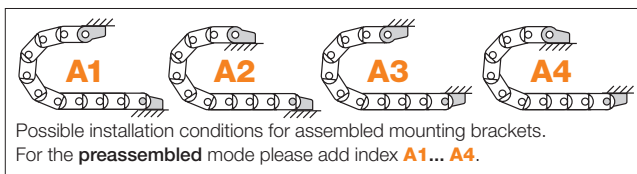
Before using Series 2600 on long travels please consult igus®.



**Polymer pivoting** | Recommended for unsupported and gliding applications | **Standard Polymer locking** | Recommended for vertical hanging and standing applications

| Width Index | Standard | Part No. full set <b>pivoting</b> : |                        | Part No. full set <b>locking</b> : |                        | Dim. A [mm] | Number of teeth |
|-------------|----------|-------------------------------------|------------------------|------------------------------------|------------------------|-------------|-----------------|
|             |          | with tiewrap plates                 | without tiewrap plates | with tiewrap plates                | without tiewrap plates |             |                 |
| .05.        | ▶        | 2605.34PZB                          | 2605.34PZ              | 2605.12PZB                         | 2605.12PZ              | 30          | 5               |
| .06.        | ▶        | 2606.34PZB                          | 2606.34PZ              | 2606.12PZB                         | 2606.12PZ              | 45          | 5               |
| .07.        | ▶        | 2607.34PZB                          | 2607.34PZ              | 2607.12PZB                         | 2607.12PZ              | 55          | 7               |
| .09.        | ▶        | 2609.34PZB                          | 2609.34PZ              | 2609.12PZB                         | 2609.12PZ              | 70          | 9               |
| .10.        | ▶        | 2610.34PZB                          | 2610.34PZ              | 2610.12PZB                         | 2610.12PZ              | 80          | 10              |
| .12.        | ▶        | 2612.34PZB                          | 2612.34PZ              | 2612.12PZB                         | 2612.12PZ              | 105         | 12              |
| .15.        | ▶        | 2615.34PZB                          | 2615.34PZ              | 2615.12PZB                         | 2615.12PZ              | 130         | 15              |
| .17.        | ▶        | 2617.34PZB                          | 2617.34PZ              | 2617.12PZB                         | 2617.12PZ              | 155         | 17              |

Full set with tiewrap plate + 10 cable tiewraps, please add index **K1** ▶ e.g. 2605.34PZBK1



Part No. structure

2605.34PZB A1

A... must be indicated on preassembled configurations

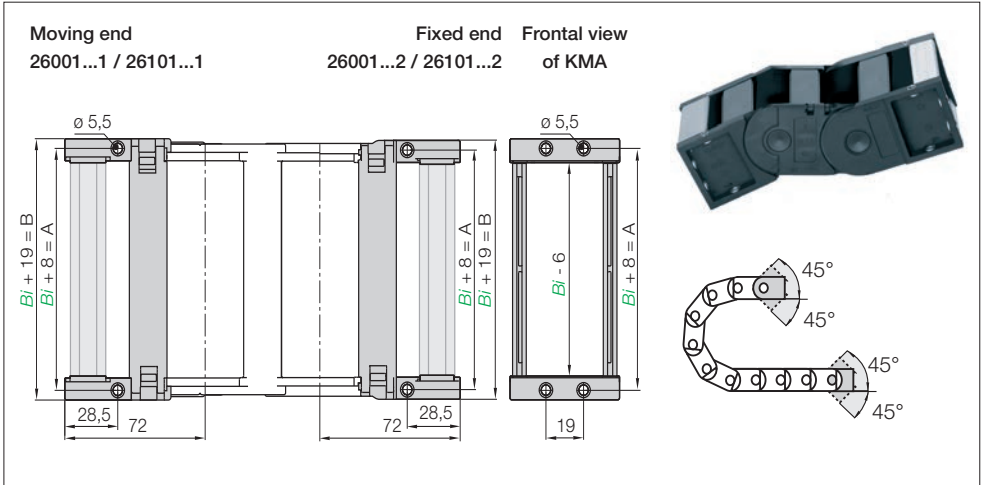
With strain relief tiewrap plates

Full set pivoting = 34

Mounting bracket for selected width index



**Strain relief** e.g. clamps, tiewrap plates, nuggets and plug-in clips are available from stock. The complete chainfix range with order options ▶ from page 656



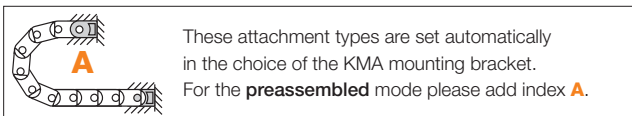
**KMA pivoting** | Recommended for unsupported and gliding applications

**KMA locking** | Recommended for vertical hanging and standing applications

| Width Index | Part No. full set <b>KMA pivoting:</b> |                   | Part No. full set <b>KMA locking:</b> |                   | Dim. A [mm] | Dim. B [mm] |
|-------------|--|-------------------|---------------------------------------|-------------------|-------------|-------------|
|             | with C-profile                         | without C-profile | with C-profile                        | without C-profile |             |             |
| .05.        | ▶ 26001.05.12.C                        | 26001.05.12       | 26101.05.12.C                         | 26101.05.12       | 58          | 69          |
| .06.        | ▶ 26001.06.12.C                        | 26001.06.12       | 26101.06.12.C                         | 26101.06.12       | 73          | 84          |
| .07.        | ▶ 26001.07.12.C                        | 26001.07.12       | 26101.07.12.C                         | 26101.07.12       | 83          | 94          |
| .09.        | ▶ 26001.09.12.C                        | 26001.09.12       | 26101.09.12.C                         | 26101.09.12       | 98          | 109         |
| .10.        | ▶ 26001.10.12.C                        | 26001.10.12       | 26101.10.12.C                         | 26101.10.12       | 108         | 119         |
| .12.        | ▶ 26001.12.12.C                        | 26001.12.12       | 26101.12.12.C                         | 26101.12.12       | 133         | 144         |
| .15.        | ▶ 26001.15.12.C                        | 26001.15.12       | 26101.15.12.C                         | 26101.15.12       | 158         | 169         |
| .17.        | ▶ 26001.17.12.C                        | 26001.17.12       | 26101.17.12.C                         | 26101.17.12       | 183         | 194         |

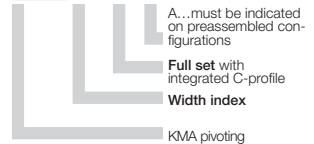
KMA pivoting to one side: **Moving end 26101...3 / Fixed end 26101...4**

(KMA = Polymer Metal Mounting Bracket)



Part No. structure

**26001. 05. 12.C A**



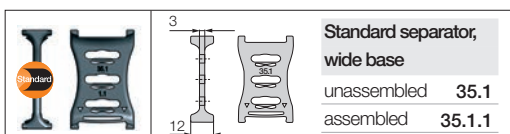
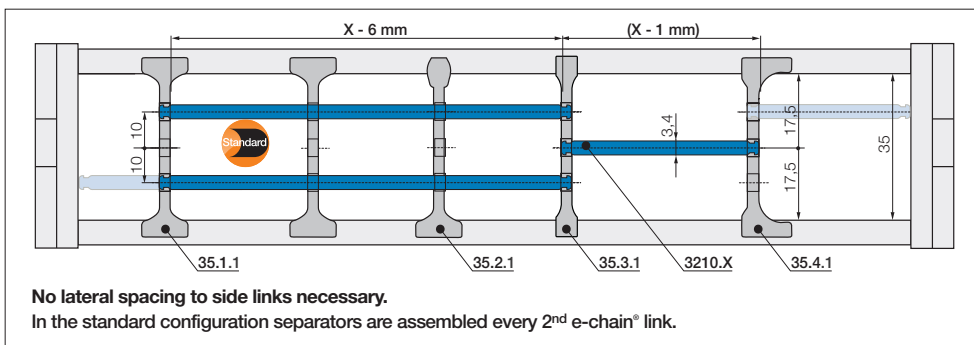
Option: Steel **locking** Part No. 260.12 - For e-chains® and e-tubes available

● Locked connections ● One part (2-piece) for all e-chain® widths ● Electrically conductive

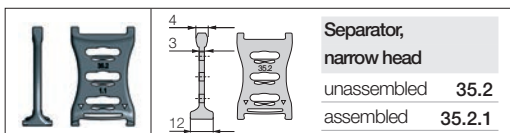


**Strain relief** e.g. clamps, tie-wrap plates, nuggets and plug-in clips are available from stock. The complete chainfix range with order options ▶ from page 656

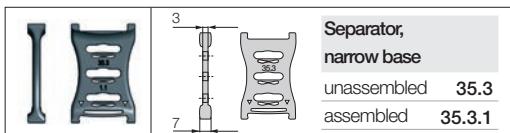
## Interior separation | New generation

Previous interior separation with optional elements ► [www.igus.eu/2600](http://www.igus.eu/2600) ► [www.igus.eu/2700](http://www.igus.eu/2700)**Standard - for all applications**

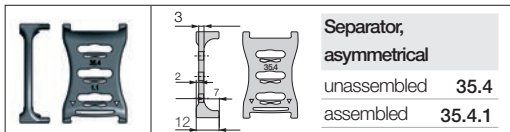
Separator with a wide base for maximum locking strength and safe standing in e-chains®.

**For even faster installation**

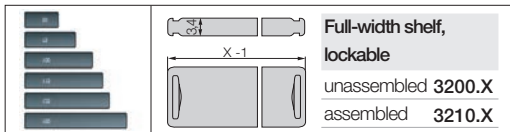
Firm hold to one side with a wide base, narrow on opposed side for easy cable assembly (slight grip).

**For many thin cables**

Separator with a narrow base for a large number of thin cables side by side. Saves space in e-chains®.

**For side-mounted applications**

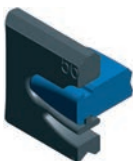
Asymmetrical separator, for defined distance. No additional spacers necessary.

**Horizontal separation**

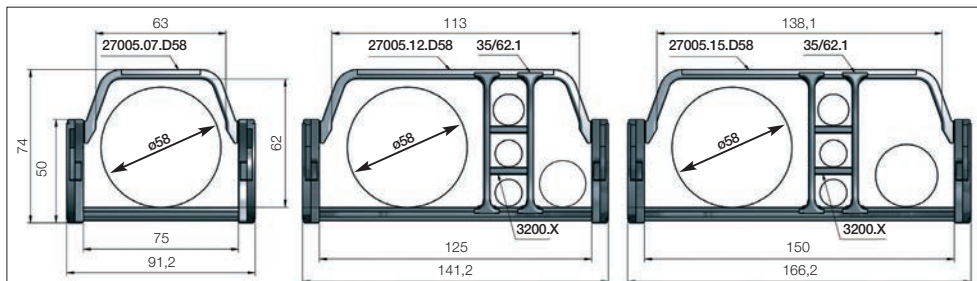
Full-width shelf locks safely into separators on both ends, fixed width possible. To be used as full-width shelf for a consequent subdivision or as shelf for a pattern system in 3 levels.

**Lockable full-width shelves - for the standard interior separation**

| Width X [mm] | unassembled | assembled | Width X [mm] | unassembled | assembled | Width X [mm] | unassembled | assembled |
|--------------|-------------|-----------|--------------|-------------|-----------|--------------|-------------|-----------|
| 050          | 3200.050    | 3210.050  | 125          | 3200.125    | 3210.125  | 225          | 3200.225    | 3210.225  |
| 075          | 3200.075    | 3210.075  | 150          | 3200.150    | 3210.150  | 250          | 3200.250    | 3210.250  |
| 100          | 3200.100    | 3210.100  | 175          | 3200.175    | 3210.175  |              |             |           |
| 115          | 3200.115    | 3210.115  | 200          | 3200.200    | 3210.200  |              |             |           |



Extender crossbars



Extender crossbars - Enormous increase of the interior for the smooth guiding of larger hoses.  
Suitable for hoses with an outer diameter of max. 58 mm.

| Extender crossbars for e-chains® snap-open along inner radius | Extender crossbars for e-chains® snap-open along outer radius | <i>Bi</i> [mm] | <i>Ba</i> [mm] | <i>R</i> Bending radii [mm]                     |
|---|---|----------------|----------------|---|
| 2600.07 D58.R.0   | 2700.07 D58.R.0   | 75             | 91             | 063*   075*   100   125   150   175   200   250 |
| 2600.12 D58.R.0   | 2700.12 D58.R.0   | 125            | 141            | 063*   075*   100   125   150   175   200   250 |
| 2600.15 D58.R.0   | 2700.15 D58.R.0   | 150            | 166            | 063*   075*   100   125   150   175   200   250 |

\*Radius 055 only possible with e-chains® Series 2700

Supplement Part No. with required radius (*R*). Example: 2700.15D58.100.0

Interior separation for extender crossbars

**Standard separator, wide base**  
unassembled 35/62.1  
assembled 35/62.1.1

Standard separator, wide base

For maximum locking strength and safe standing. In standard configuration separators are assembled every 2<sup>nd</sup> link.

**Full-width shelf, lockable**  
unassembled 3200.X  
assembled 3210.X

Horizontal separation

Full-width shelf locks safely into separators on both ends, fixed width possible. Separators can be moved freely over the shelf in horizontal direction. Can be arranged at 5 different heights.

Separator with integrated strain relief

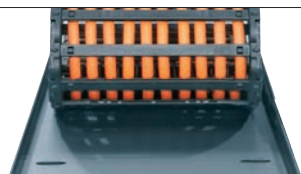
Strain relief separator Part No. 262.Z can be integrated into the mounting bracket and can be placed there at any point of the e-chain®. It combines strain relief and interior separation, it can be installed on the first or last e-chain® link and is easy to assemble without any screws. **More information ► from page 676**



Optional: Support tray tool kit.

For support of the lower run.

Simple one-piece support trays according to your requirements and specification. **The complete range with order options ► from page 740**





# SCATTERGOOD & JOHNSON LTD

ELECTRICAL ENGINEERING & FLUID CONTROL DISTRIBUTORS

Est.1899

At Scattergood & Johnson Ltd, we pride ourselves on being a technical distributor to specialist industries.

Working with a range of quality product suppliers across a number of specialist markets, we are not your average 'box shifter' - we are your technical and supply chain partner.

We fully support every product we sell - for free! Our internal team and external sales engineers can answer any product or application question, no matter the complexity.

Backing up this technical ability is a range of 50,000+ products available from stock for nationwide next day delivery (same day if required!), or you can collect what you need from any of our trade counters around the UK.

Select your specialist interest below to learn more about how we can help.



Online, In Branch and On the Road - Scattergood & Johnson Ltd, there when you need us.

# [www.scatts.co.uk](http://www.scatts.co.uk)