

easy chain® | Series E08·Z08 | Delivery program

Small pitch, simply press cables in



Series E08 | Split crossbar along the outer radius

Series Z08 | Split crossbar along the inner radius

Standard	Split crossbar along outer radius	Split crossbar along inner radius	<i>Bi</i> [mm]	<i>Ba</i> [mm]	<i>R</i> Bending radii [mm]	Weight [kg/m]
E08.10	.R.0 ¹⁾	Z08.10 .R.0 ¹⁾	10	18,2	025* 028 038 048	≈ 0,21
E08.16	.R.0 ²⁾	Z08.16 .R.0 ²⁾	16	24,2	025* 028 038 048	≈ 0,24
E08.20	.R.0	Z08.20 .R.0	20	28,2	025* 028 038 048	≈ 0,25
E08.30	.R.0	Z08.30 .R.0	30	38,2	025* 028 038 048	≈ 0,28
E08.40	.R.0	Z08.40 .R.0	40	48,2	025* 028 038 048	≈ 0,31
E08.50	.R.0	Z08.50 .R.0	50	58,2	025* 028 038 048	≈ 0,37

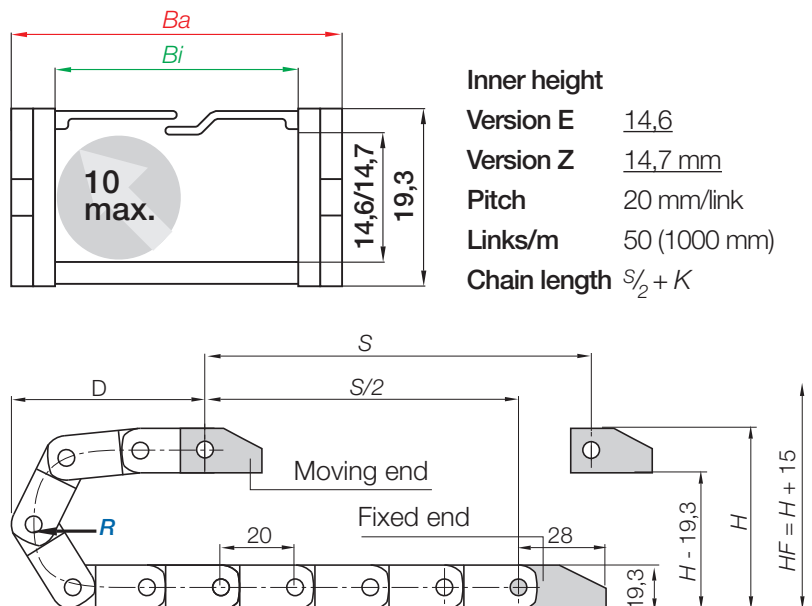
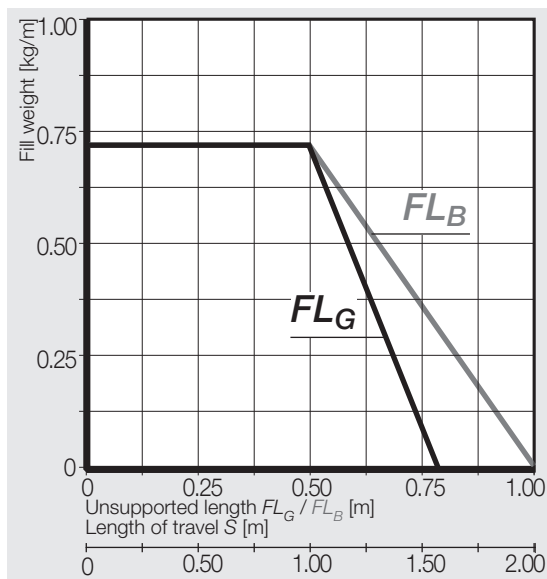
1) Crossbars do not overlap. Gap = 5,5 mm / 2) Crossbars do not overlap. Gap = 4,0 mm

*Radius available upon request, please consult igus® for delivery time

Supplement Part No. with required radius (*R*). Example: **E08.10.028.0**

Ba: pin dimension approx. 0,3 - 0,5 mm wider.

Dimensions



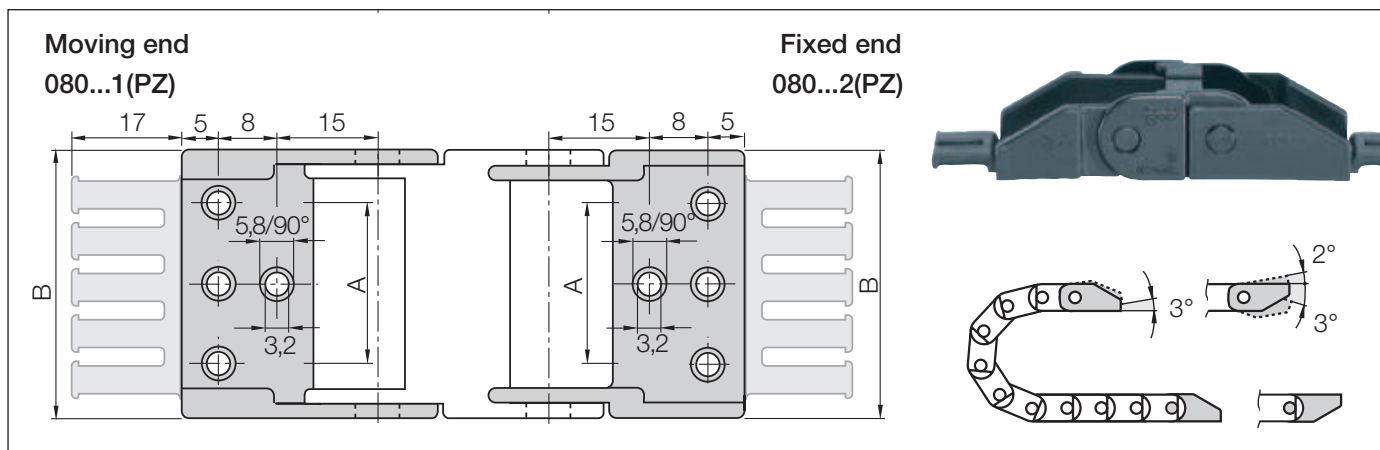
Inner height
 Version E 14,6
 Version Z 14,7 mm
 Pitch 20 mm/link
 Links/m 50 (1000 mm)
 Chain length $S/2 + K$

<i>R</i>	025*	028	038	048
<i>H</i>	69	75	95	115
<i>D</i>	65	68	78	88
<i>K</i>	120	130	160	195

The required clearance height: $H_F = H + 15$ mm (with 0,3 kg/m fill weight)

*Radius available upon request, please consult igus® for delivery time

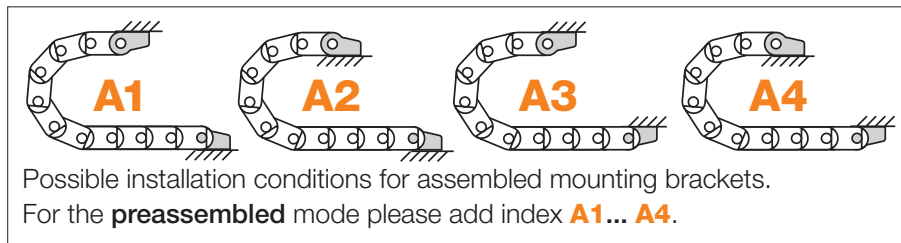
Mounting brackets, polymer one-piece | locking | More features ► www.igus.eu/08



Width Index	Standard	Part No. full set with tie-wrap plates	Part No. full set without tie-wrap plates	Dim. A [mm]	Dim. B [mm]	Number of teeth
.10.	►	080.10. 12PZ	080.10. 12	–	18,2	1
.16.	►	080.16. 12PZ	080.16. 12	–	24,2	2
.20.	►	080.20. 12PZ	080.20. 12	–	28,2	2
.30.	►	080.30. 12PZ	080.30. 12	22	38,2	3
.40.	►	080.40. 12PZ	080.40. 12	32	48,2	4
.50.	►	080.50. 12PZ	080.50. 12	42	58,2	5

Material mounting bracket - igumid G, temperature: -40° up to +120° C, VDE 0304 IIC UL94-HB

Drilling pattern for width index: **080.10.** - **080.20.** center bores only / **080.30.** - **080.50.** all bores (see figure above)



Part No. structure

080.10. 12 PZ A2 A... must be indicated on preassembled configurations

- With strain relief tie-wrap plates
- Full set**
- Mounting bracket for selected width index



SCATTERGOOD & JOHNSON LTD

ELECTRICAL ENGINEERING & FLUID CONTROL DISTRIBUTORS

Est.1899

At Scattergood & Johnson Ltd, we pride ourselves on being a technical distributor to specialist industries.

Working with a range of quality product suppliers across a number of specialist markets, we are not your average 'box shifter' - we are your technical and supply chain partner.

We fully support every product we sell - for free! Our internal team and external sales engineers can answer any product or application question, no matter the complexity.

Backing up this technical ability is a range of 50,000+ products available from stock for nationwide next day delivery (same day if required!), or you can collect what you need from any of our trade counters around the UK.

Select your specialist interest below to learn more about how we can help.



Online, In Branch and On the Road - Scattergood & Johnson Ltd, there when you need us.

www.scatts.co.uk