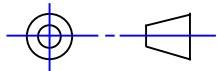


Iss.	Date	Modification	Appd.
1	09.06 2017	.	
2	02.08 2019	IP66 note was IP65, white added. CRN 1801.	

BEKA associates
 England
 Hitchin
 company confidential, copyright reserved.



THIRD ANGLE PROJECTION

DIMENSIONS IN mm

DO NOT SCALE

LAMP DETAILS:

LENS (POLYCARBONATE)

SEALING WASHER (NITRILE)

LOCKING RING

KEYWAY

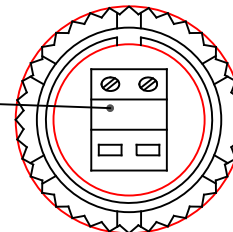
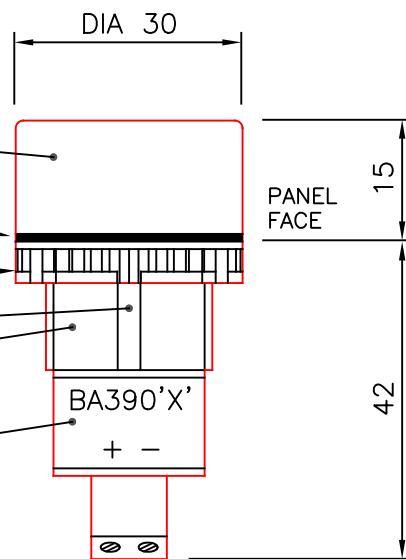
BODY (POLYAMIDE)

LABEL WITH CERTIFICATION INFORMATION AND MODEL NUMBER:

'X' IDENTIFIES LAMP COLOUR:

- A - AMBER
- B - BLUE
- G - GREEN
- R - RED
- W - WHITE
- S - SPECIAL

TERMINALS (1.5mm)



PANEL CUTOUT:

DIAMETER 22.5 ± 0.2

SPACING: (VERTICAL x HORIZONTAL)

LAMPS ONLY 31 x 31 min.
 WITH LEGEND PLATES 47 x 31 min.

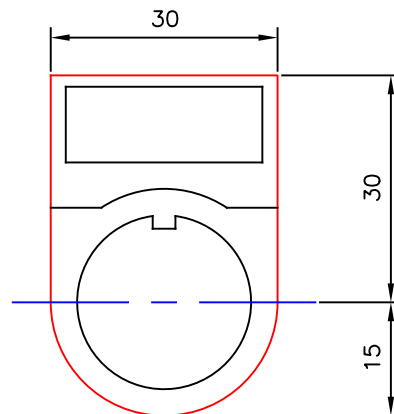
INSTALLATION:

- 1 REMOVE LOCKING RING FROM LAMP
- 2 INSERT LAMP FROM FRONT OF PANEL
- 3 RE-FIT LOCKING RING FROM REAR OF PANEL. ENSURE KEYWAY FACES TOP OF LAMP

NOTE:

CORRECT INSTALLATION WILL PROVIDE IP66 PROTECTION FRONT OF PANEL

LEGEND PLATE DETAILS:



Title
 CUSTOMER DRAWING for
BA390 LED CLUSTER LAMP

Drawn RC	Checked	Scale 1
Drawing No.		



SCATTERGOOD & JOHNSON LTD

ELECTRICAL ENGINEERING & FLUID CONTROL DISTRIBUTORS

Est.1899

At Scattergood & Johnson Ltd, we pride ourselves on being a technical distributor to specialist industries.

Working with a range of quality product suppliers across a number of specialist markets, we are not your average 'box shifter' - we are your technical and supply chain partner.

We fully support every product we sell - for free! Our internal team and external sales engineers can answer any product or application question, no matter the complexity.

Backing up this technical ability is a range of 50,000+ products available from stock for nationwide next day delivery (same day if required!), or you can collect what you need from any of our trade counters around the UK.

Select your specialist interest below to learn more about how we can help.



Online, In Branch and On the Road - Scattergood & Johnson Ltd, there when you need us.

www.scatts.co.uk