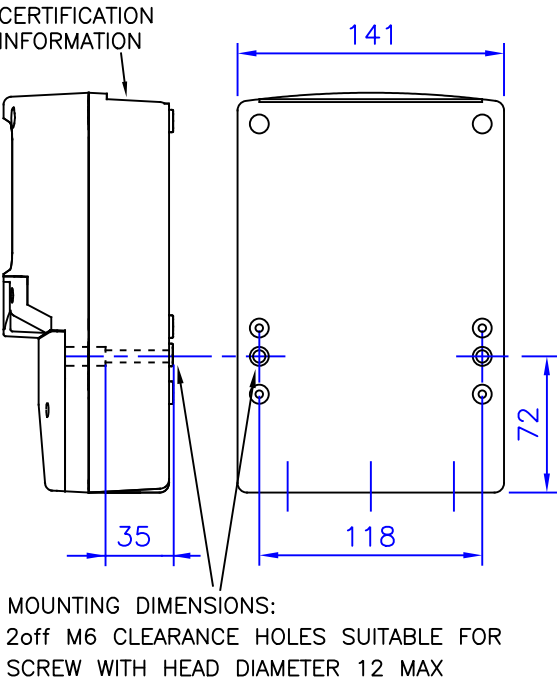
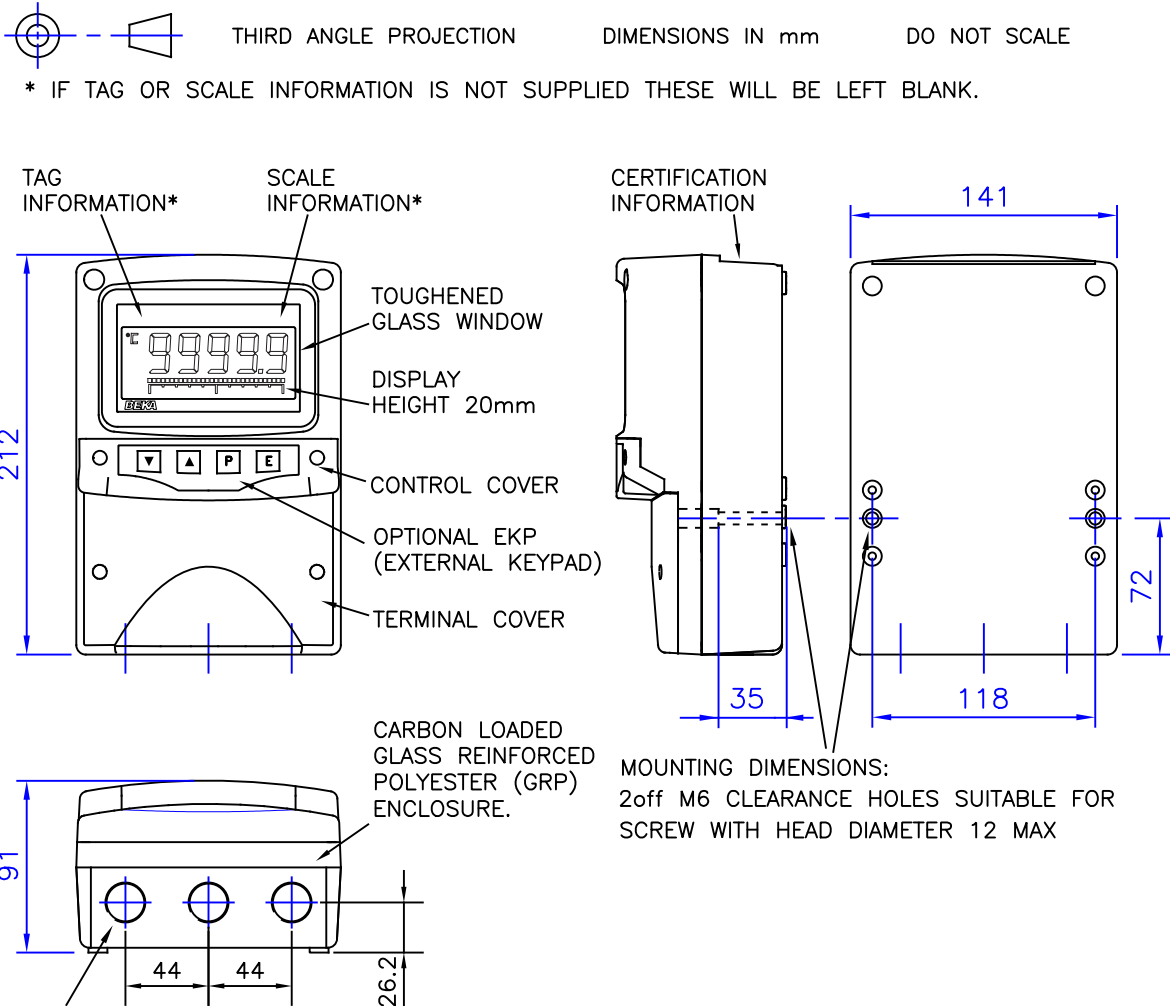
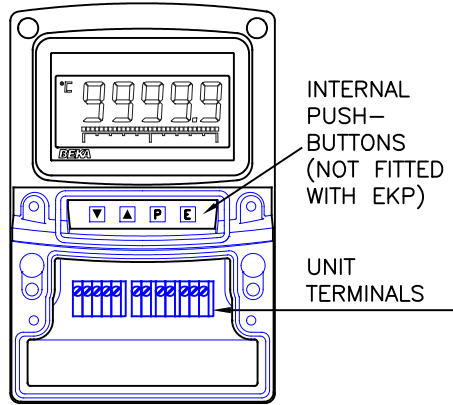


Iss.	1	Date	20.07 2017	Modification		Appd.	
Iss.		Date		Modification		Appd.	
Iss.		Date		Modification		Appd.	
BEMA associates Hitchin England company confidential, copyright reserved.							
Ckd.		Date		Modification		Appd.	
Ckd.		Date		Modification		Appd.	

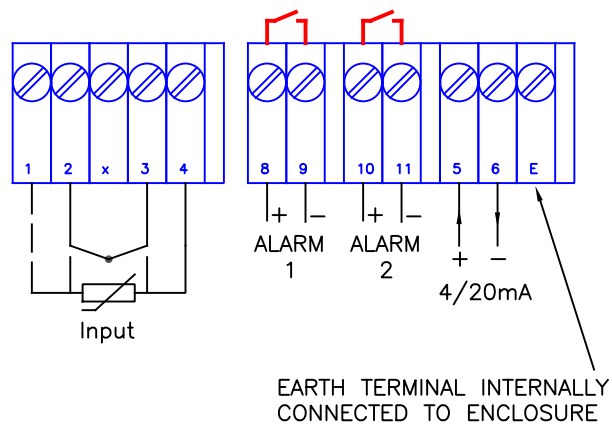


3off M20 x 1.5
CONDUIT ENTRIES

ENCLOSURE WITH TERMINAL
AND CONTROL COVERS REMOVED



TERMINAL CONNECTIONS:



Title
 CUSTOMER DRAWING for
 BA474D I.S. INDICATING TEMPERATURE
 TRANSMITTER IN FIELD MOUNTING ENCLOSURE

Drawn	Checked	Scale
RH	.	NTS
Drawing No.		CD474D



SCATTERGOOD & JOHNSON LTD

ELECTRICAL ENGINEERING & FLUID CONTROL DISTRIBUTORS

Est.1899

At Scattergood & Johnson Ltd, we pride ourselves on being a technical distributor to specialist industries.

Working with a range of quality product suppliers across a number of specialist markets, we are not your average 'box shifter' - we are your technical and supply chain partner.

We fully support every product we sell - for free! Our internal team and external sales engineers can answer any product or application question, no matter the complexity.

Backing up this technical ability is a range of 50,000+ products available from stock for nationwide next day delivery (same day if required!), or you can collect what you need from any of our trade counters around the UK.

Select your specialist interest below to learn more about how we can help.



Online, In Branch and On the Road - Scattergood & Johnson Ltd, there when you need us.

www.scatts.co.uk