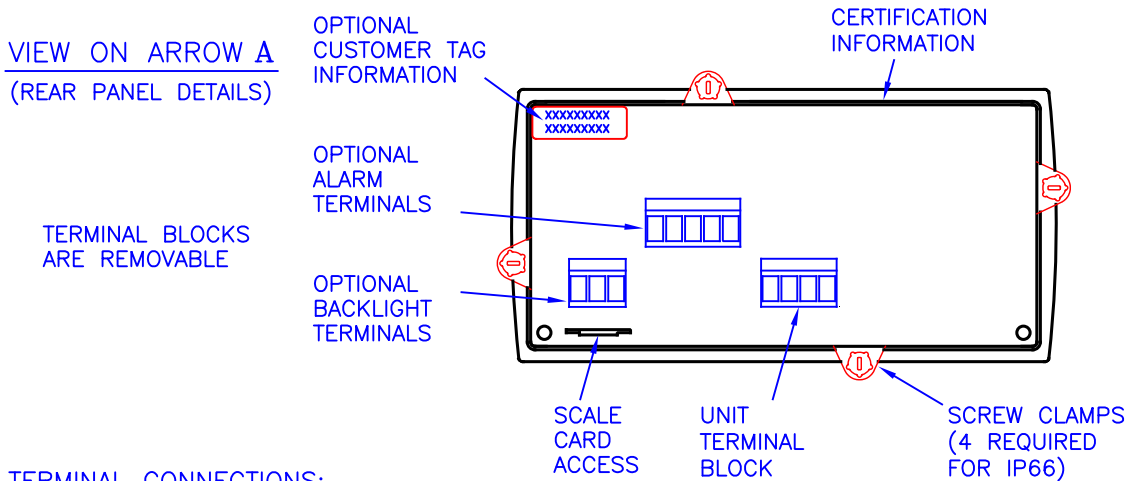
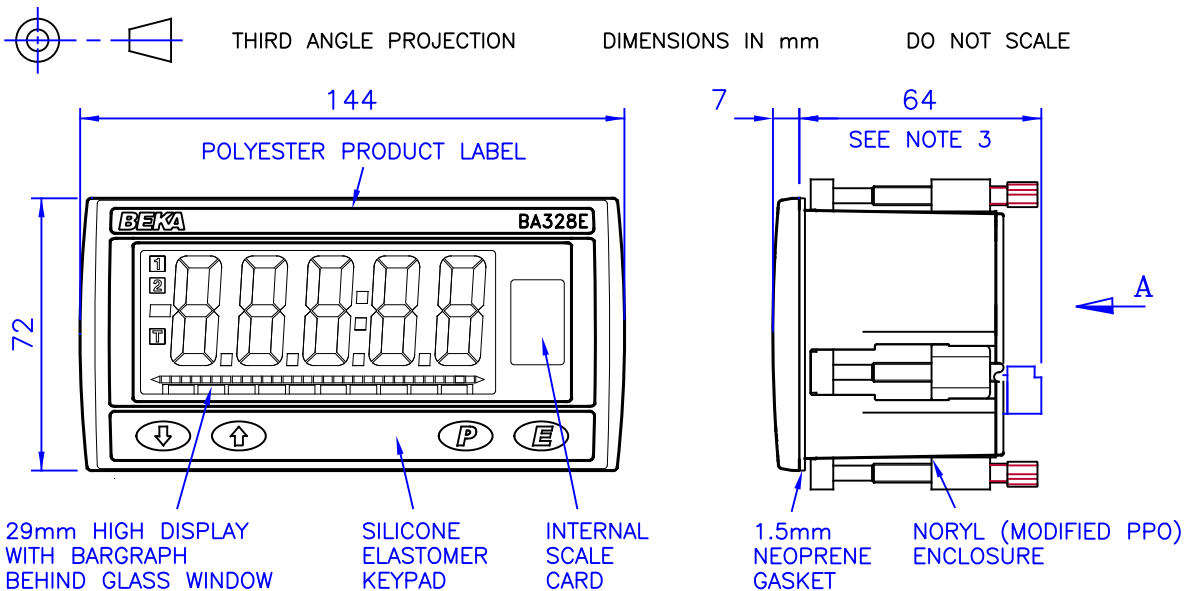
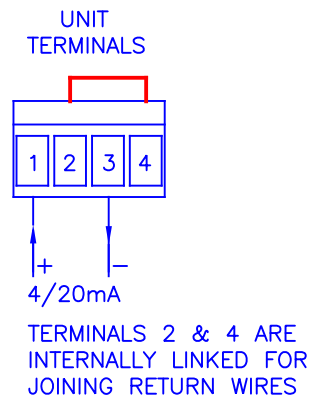
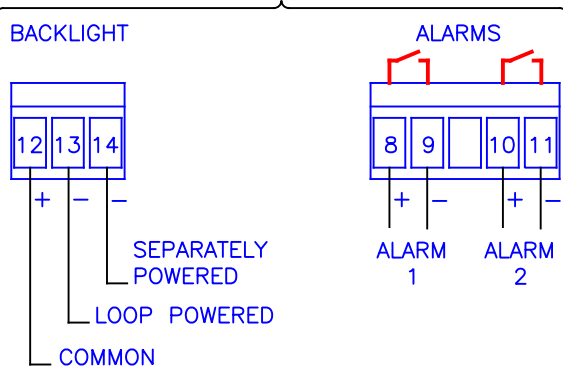


Iss.	1	Date	01.12.2011	Modification		Appd.	AMH	AC
Iss.		Date		Modification		Appd.		
Iss.		Date		Modification		Appd.		
Iss.		Date		Modification		Appd.		
BEKA associates Hitchin England company confidential, copyright reserved.								



TERMINAL CONNECTIONS:

OPTION TERMINALS (WHEN OPTION FITTED):



INSTALLATION:

- 1 INSERT UNIT INTO PANEL CUTOUT FROM FRONT.
- 2 SCREW CLAMPS ARE CLIPPED TO THE INDICATOR & TIGHTENED FROM REAR OF PANEL. RECOMMENDED TORQUE 22cNm MAX.
- 3 FOR PANELS GREATER THAN 3mm THICK ADD ADDITIONAL DEPTH FOR CLAMPS. (ie ADD PANEL THICKNESS LESS 3mm)

PANEL CUTOUT:

DIN 43 700: $138^{+1.0}_{-0}$ x $68^{+0.7}_{-0}$

FOR IP66: $136^{+0.5}_{-0}$ x $66.2^{+0.5}_{-0}$

Title CUSTOMER DRAWING for BA328E 5 DIGIT I.S. INDICATOR IN PANEL MOUNTING ENCLOSURE

Drawn	Checked	Scale
RC	AMH	NTS
Drawing No.		CD328E



SCATTERGOOD & JOHNSON LTD

ELECTRICAL ENGINEERING & FLUID CONTROL DISTRIBUTORS

Est.1899

At Scattergood & Johnson Ltd, we pride ourselves on being a technical distributor to specialist industries.

Working with a range of quality product suppliers across a number of specialist markets, we are not your average 'box shifter' - we are your technical and supply chain partner.

We fully support every product we sell - for free! Our internal team and external sales engineers can answer any product or application question, no matter the complexity.

Backing up this technical ability is a range of 50,000+ products available from stock for nationwide next day delivery (same day if required!), or you can collect what you need from any of our trade counters around the UK.

Select your specialist interest below to learn more about how we can help.



Online, In Branch and On the Road - Scattergood & Johnson Ltd, there when you need us.

www.scatts.co.uk